

MAX-AIR ACTUATED TEE ASSEMBLIES



TEE CONFIGURATION REFERENCE

Max-Air
TECHNOLOGY

FEATURES & BENEFITS

MAX-AIR ACTUATOR QUALITY

All tee assemblies are built using Max-Air Technology's high quality actuators, available in double-acting or spring-return configurations, with stainless steel as an optional material.

SUPERIOR SOLUTION

Compared with 3-way ball valves, actuated tee configurations offer a more economical solution that is lighter in weight and requires less supporting structure. Butterfly valves provide an excellent means for throttling, mixing, and diverting.

STANDARD FLANGES

Standard flanges fit right into your current system making integration simple and economical.

MULTIPLE CONFIGURATIONS

Alternate configurations available including: same valve N.C. with (fail open) actuator on N.O. valve, valves open and close together, and 90° rotated actuator. Call factory for additional options and trim materials to fit your system.

MULTIPLE ACCESSORY OPTIONS

Positioners, solenoid valves, limit switch boxes, and declutchable manual override gear operators with lockout/tagout available.

QUALITY ASSURANCE

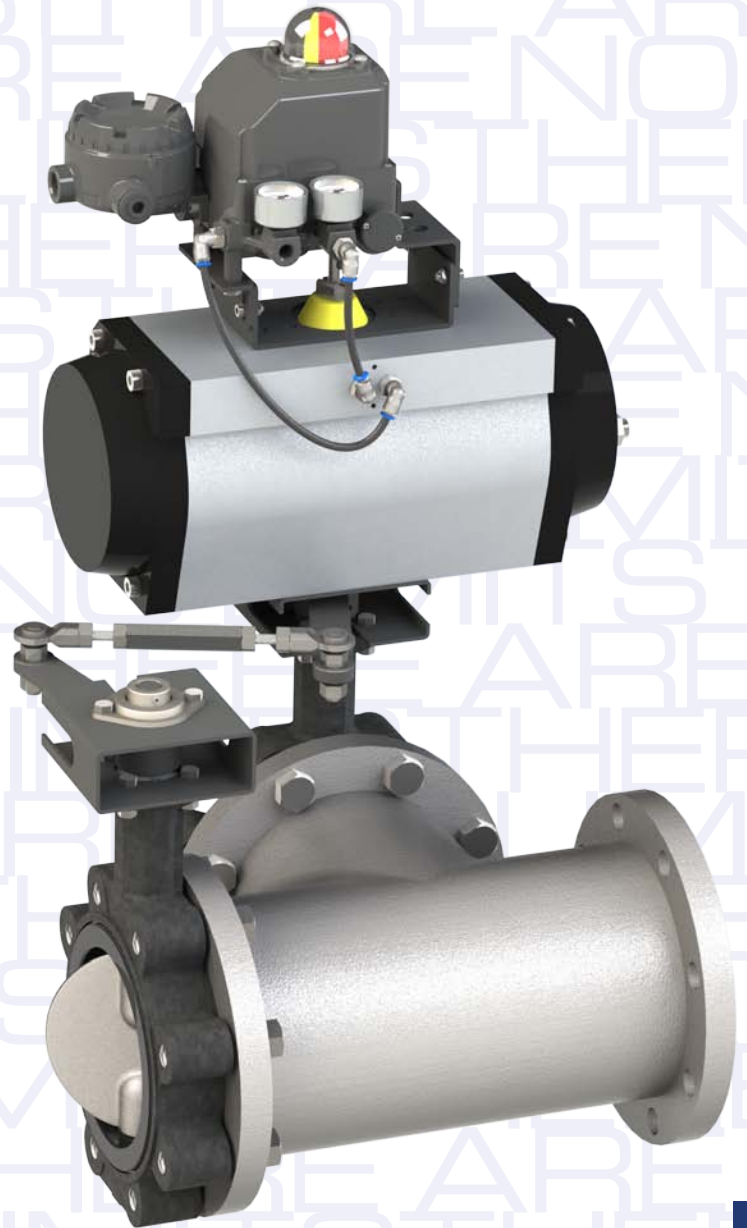
All configurations are tested and shipped assembled.

SIDE-LOAD REDUCTION

A bracket and bearing on the slave valve removes side-loading from the valve stem.

CUSTOMER SUPPORT

3D models and 2D assembly drawings available on request.



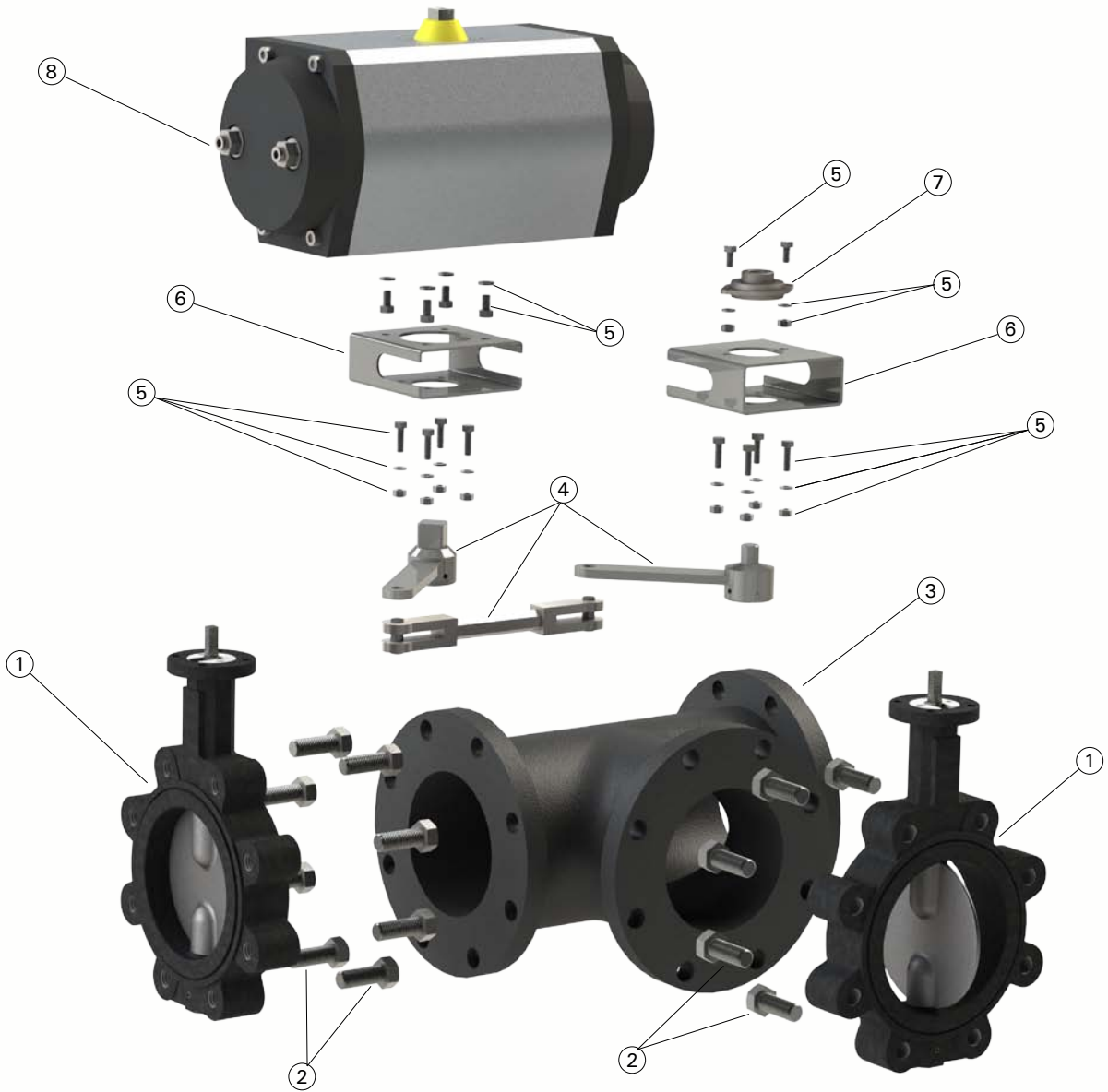
CAST IRON

CAST STEEL

STAINLESS STEEL

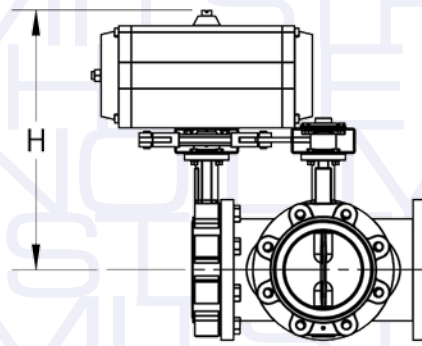
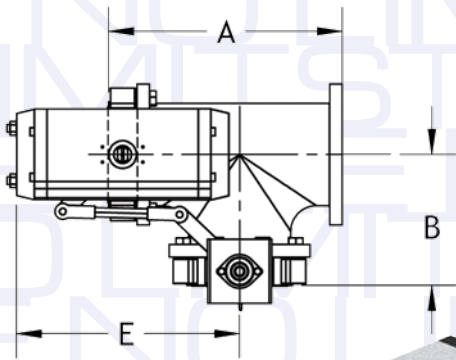


EXPLODED VIEW & MATERIALS

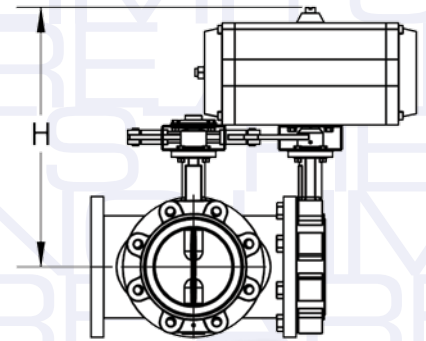
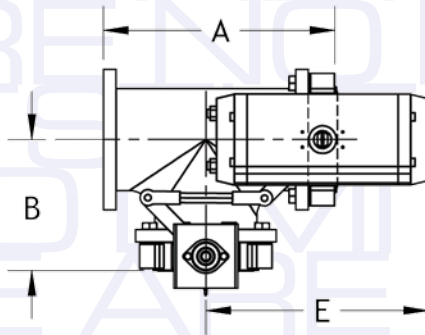


Tee Material	Item	Description	Qty	Materials
Cast Iron	1	Butterfly Valve	2	Cast Iron Body See page 6 for trim
	2	Pipe Flange Bolts	N/A	Plated Steel
Cast Steel	3	Tee	1	See chart at left
	4	Linkage	3	Carbon Steel
	5	Mounting Hardware	N/A	Plated Steel
Stainless Steel	6	Mounting Bracket	2	Carbon Steel
	7	Bearing	1	Stainless Steel
	8	MT Actuator	1	Aluminum

TEE CONFIGURATIONS



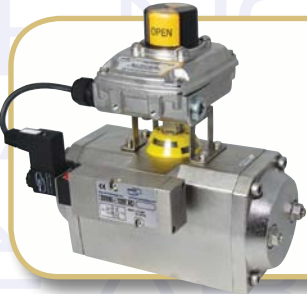
CONFIGURATION 1



CONFIGURATION 2

STAINLESS STEEL OPTIONS AVAILABLE

Exactly the same standards of excellence, testing & inspection, and precision operation as our UT/MT aluminum models. Electro-polish standard, mirror-polish available. Limit switch boxes, solenoid valves, positioners, and butterfly valves are all available in EP stainless steel.

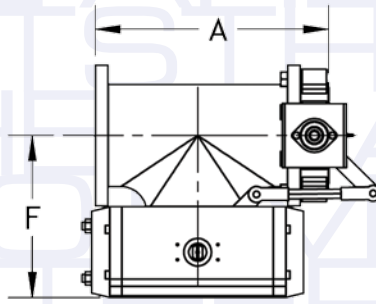


Tee Assembly Dimensions (in)					Double Acting			Spring Return				
Size	A	B	C	D	E	F	H	Actuator	E	F	H	Actuator
2"	10.7	6.2	4.5	12.4	8.8	7.0	12.3	MT21	9.9	7.4	13.1	MT31S4
2½"	11.8	6.8	5.0	13.6	9.4	7.6	13.3	MT21	10.7	8.5	15.4	MT36S4
3"	12.8	7.3	5.5	14.6	11.1	8.1	13.5	MT26	12.1	9.0	15.6	MT41S4
4"	15.1	8.6	6.5	17.1	12.1	9.6	15.0	MT31	14.4	10.4	16.4	MT46S4
5"	17.2	9.7	7.5	19.4	14.3	11.2	16.9	MT41	15.7	12.1	18.9	MT51S4
6"	18.2	10.2	8.0	20.4	16.0	11.9	17.4	MT46	17.3	12.6	19.4	MT56S5
8"	20.4	11.4	9.0	22.7	17.3	13.9	21.8	MT51	20.1	17.3	24.0	UT66S4
10"	24.7	13.7	11.0	27.4	21.1	17.0	25.3	MT61	23.9	21.1	27.6	UT71S5
12"	27.1	15.1	12.0	30.1	23.4	18.2	27.1	UT66	26.9	23.4	29.3	UT76S7

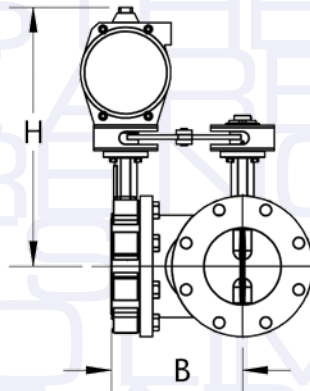
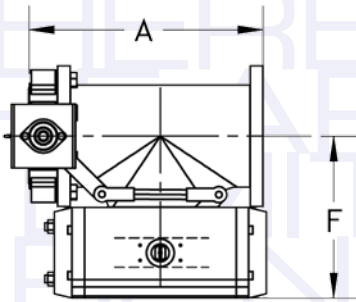
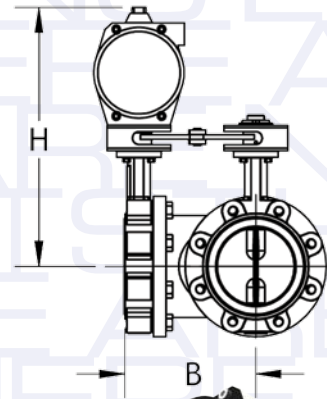
NOTES

- Tees per ASME B16.1 Class 125 and 150
- For dimensions for actuators and valves, contact info@max-airtechnology.com
- Directly-actuated valve is normally closed

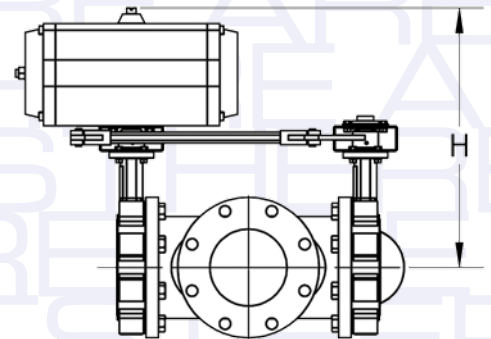
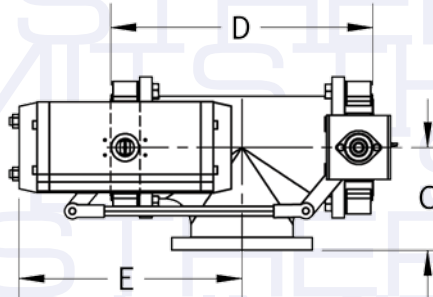
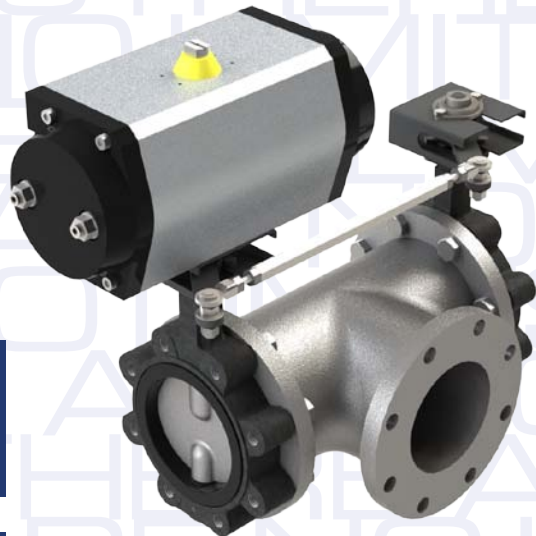
TEE CONFIGURATIONS



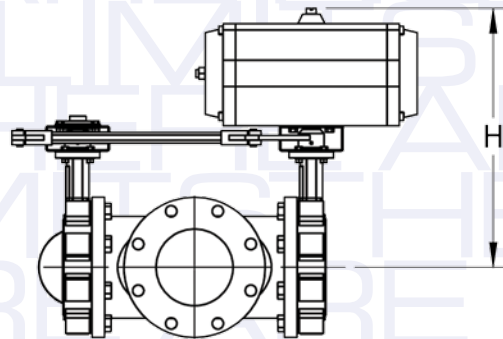
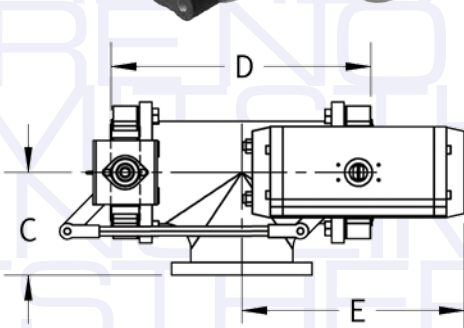
CONFIGURATION 3



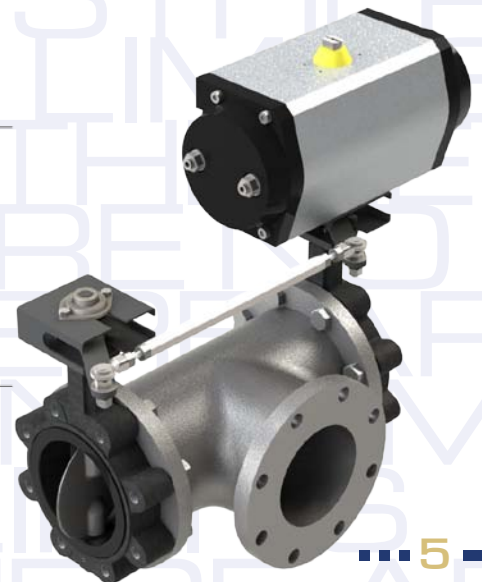
CONFIGURATION 4



CONFIGURATION 5



CONFIGURATION 6



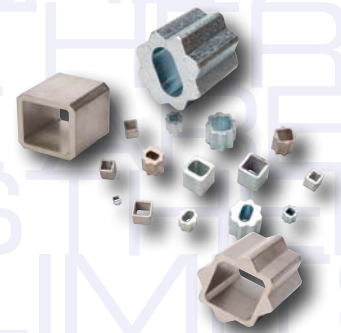


Max-Air TECHNOLOGY

The Best Way to Automate Your Process

Did you know that we provide the following services?

- 2D and 3D CAD Assembly Drawings
- Trained Technical Support Services
- On-site Commissioning Services
- Engineering System Design Services



Your nearest Max-Air dealer can be found at:

