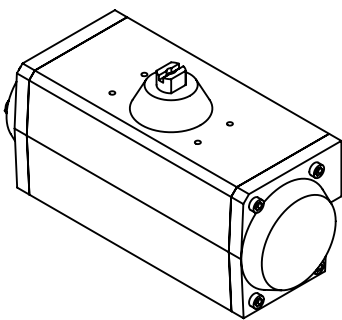
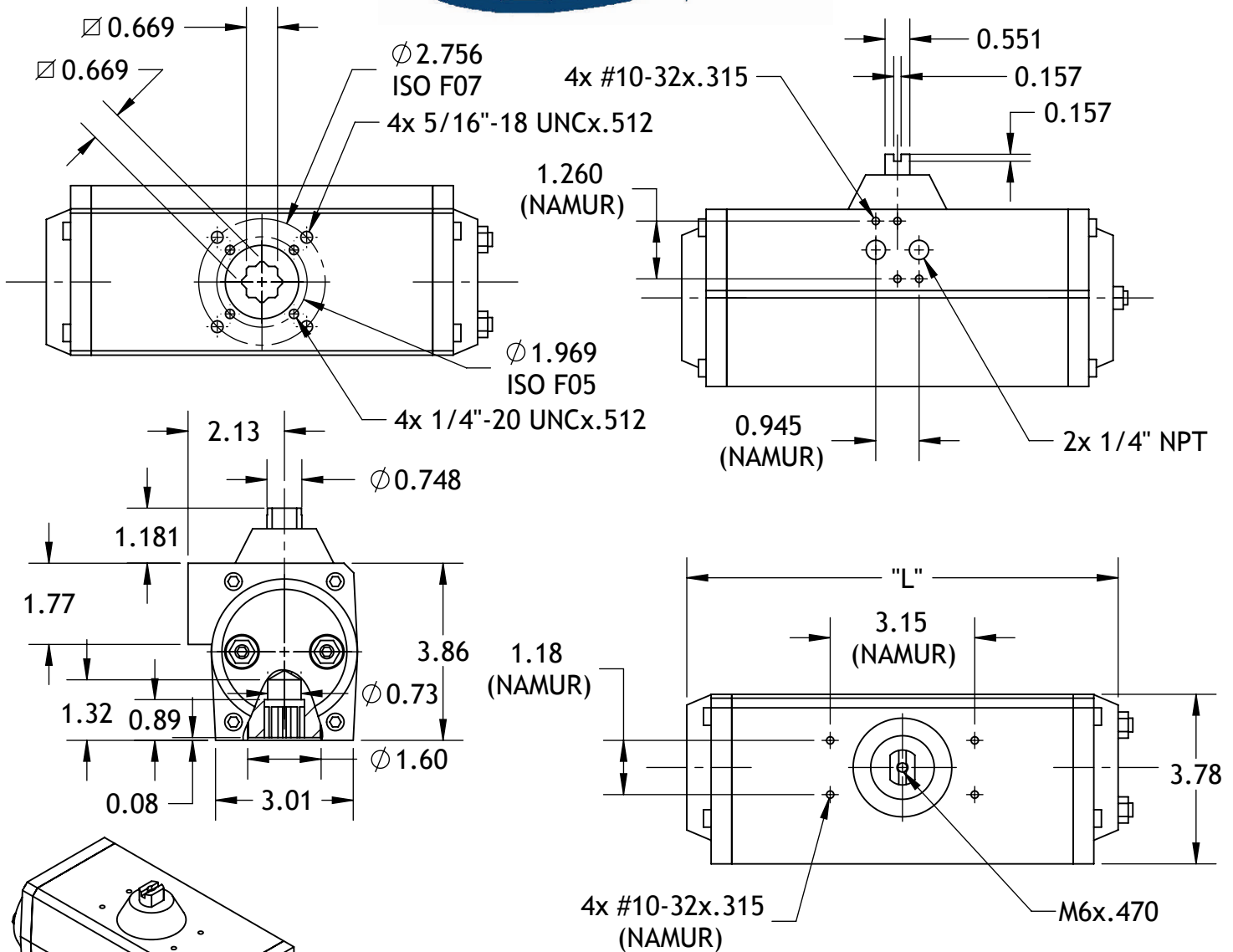


MT26
TECHNICAL DATA



DIMENSIONS TO
ISO 5211 - DIN 3337
AND NAMUR VDI/VDE 3845

DIMENSIONS IN INCHES



WEIGHT

STROKE	DOUBLE ACTING					SPRING RETURN 7+5 SPRING
	90°	120°	135°	150°	180°	90°
LB.	7.15	CALL	CALL	CALL	CALL	8.30

AIR CONSUMPTION (FULL CYCLE)

	90°	120°	135°	150°	180°
"L"	9.409	11.024	11.024	11.850	12.992

STROKE	DOUBLE ACTING					SPRING RETURN 7+5 SPRING
	90°	120°	135°	150°	180°	90°
CU.-IN.	68.7	90.6	93.7	103.1	118.7	30.0

Max-Air Technology Inc.

751 Hoff Road - O'Fallon, Missouri 63366 U.S.A.
www.max-airtechnology.com info@max-airtechnology.com