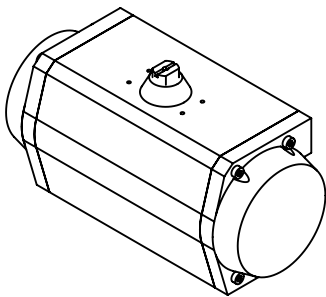
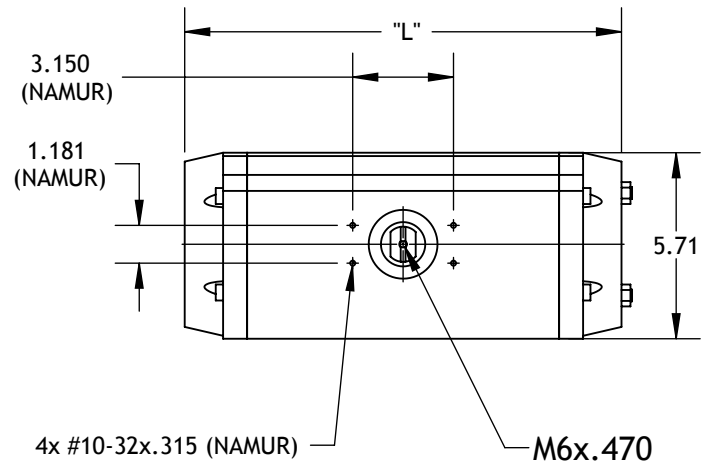
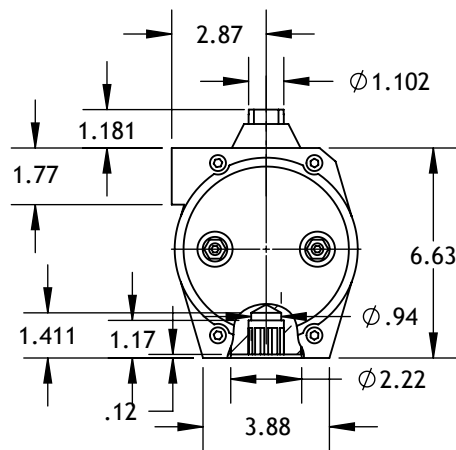
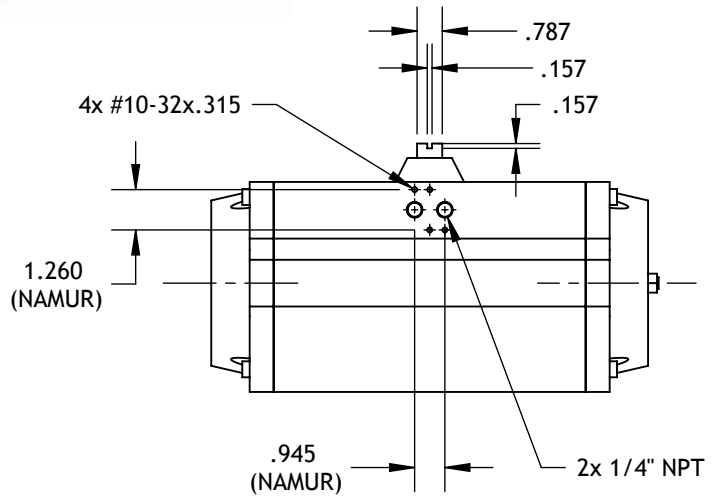
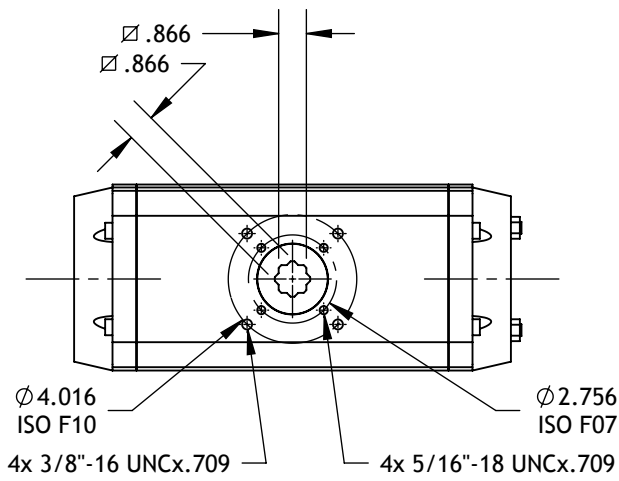


**MT46**  
TECHNICAL DATA



DIMENSIONS TO  
ISO 5211 - DIN 3337  
AND NAMUR VDI/VDE 3845

DIMENSIONS IN INCHES



**WEIGHT**

STROKE	DOUBLE ACTING					SPRING RETURN 7+5 SPRING
	90°	120°	135°	150°	180°	90°
LB.	24.2	CALL	CALL	CALL	CALL	29.9

**AIR CONSUMPTION (FULL CYCLE)**

	90°	120°	135°	150°	180°
"L"	13.819	16.102	17.244	18.386	20.000

STROKE	DOUBLE ACTING					SPRING RETURN 7+5 SPRING
	90°	120°	135°	150°	180°	90°
CU.-IN.	275.0	343.8	378.1	412.5	462.5	115.6

**Max-Air** Technology Inc.

751 Hoff Road - O'Fallon, Missouri 63366 U.S.A.  
www.max-airtechnology.com info@max-airtechnology.com