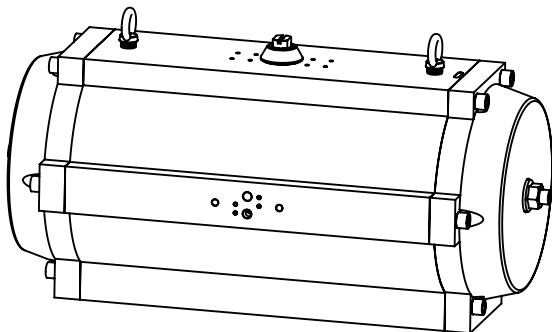
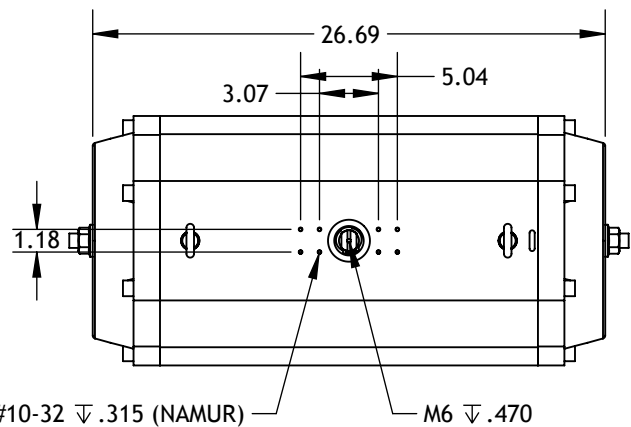
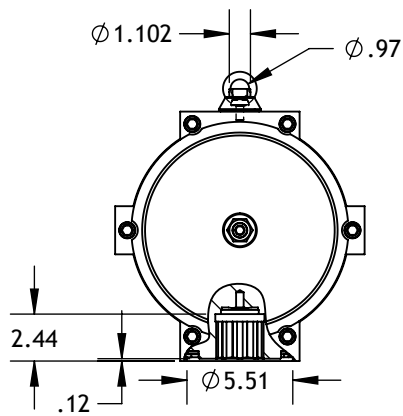
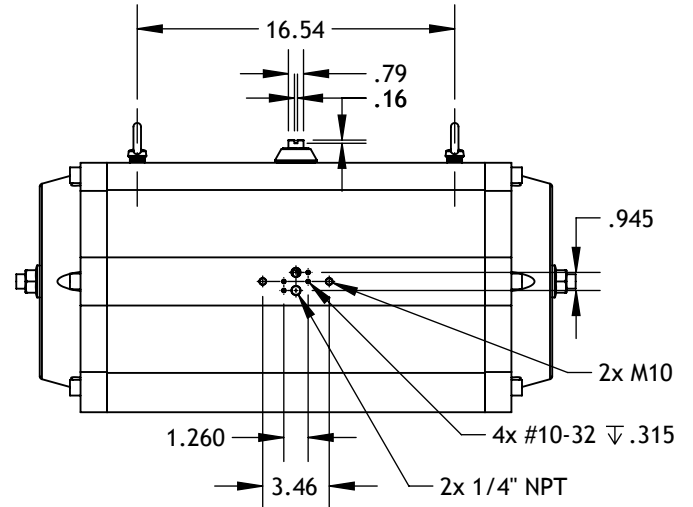
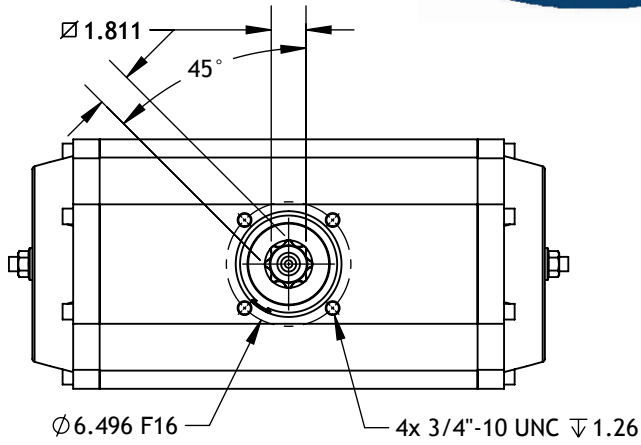


**MT76**  
TECHNICAL DATA



DIMENSIONS TO  
ISO 5211 - DIN 3337  
AND NAMUR VDI/VDE 3845

DIMENSIONS IN INCHES



Technical Data	Weight (lbs)	Air Consumption per Full Cycle (in <sup>3</sup> )
DA	179.9	1963
SR8+8	216.1	731

**Max-Air** Technology Inc.

751 Hoff Road - O'Fallon, Missouri 63366 U.S.A.

www.max-airtechnology.com info@max-airtechnology.com