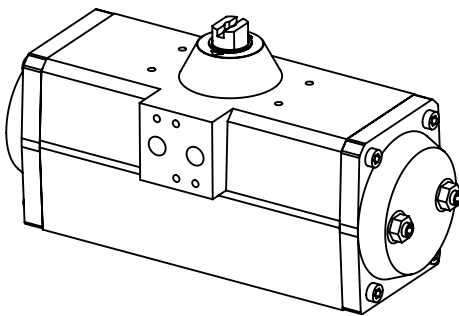
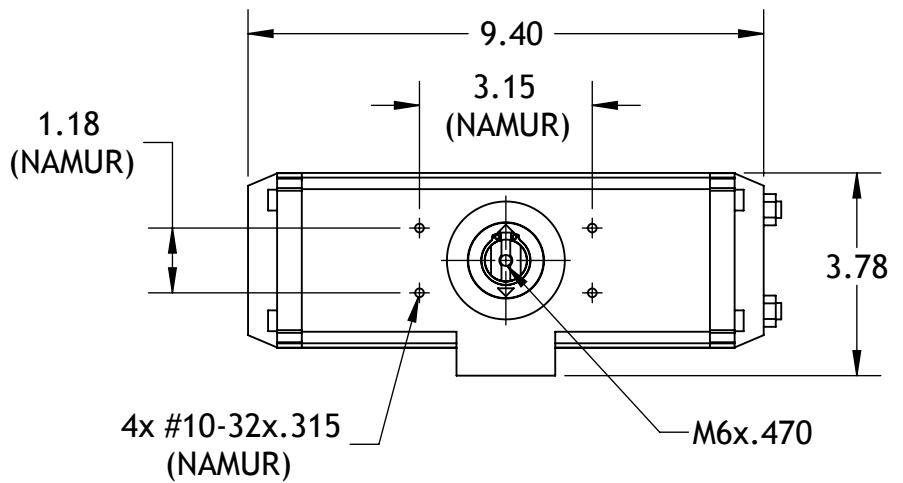
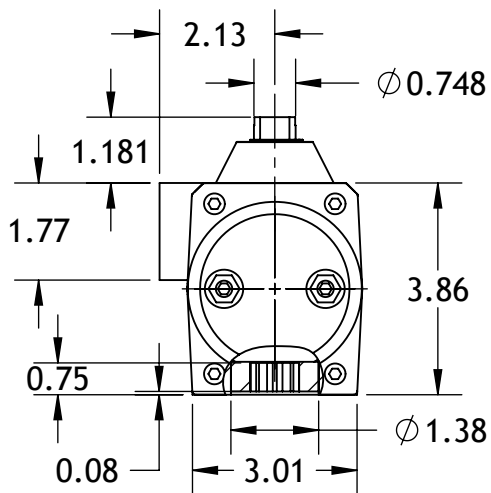
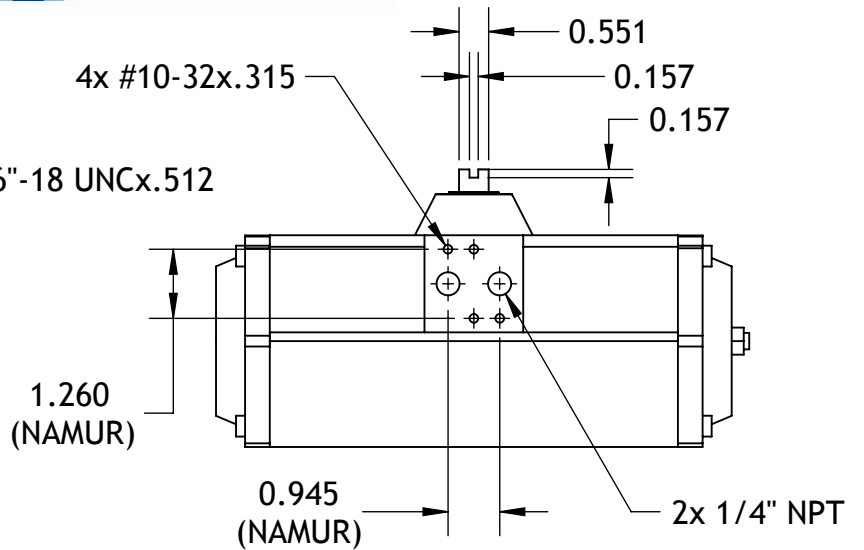
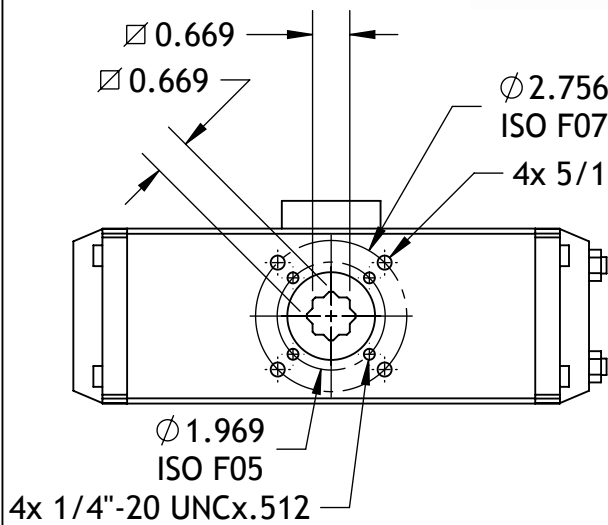


**SS26**  
TECHNICAL DATA



DIMENSIONS TO  
ISO 5211 - DIN 3337  
AND NAMUR VDI/VDE 3845

DIMENSIONS IN INCHES



	Double Acting	Spring Return
Air Consumption (Full Cycle)	68.7 in <sup>3</sup>	30.0 in <sup>3</sup>
Weight	15.15 lbs	16.30 lbs (7+5 Springs)

**Max-Air** Technology Inc.

751 Hoff Road - O'Fallon, Missouri 63366 U.S.A.  
[www.max-airtechnology.com](http://www.max-airtechnology.com)    [info@max-airtechnology.com](mailto:info@max-airtechnology.com)