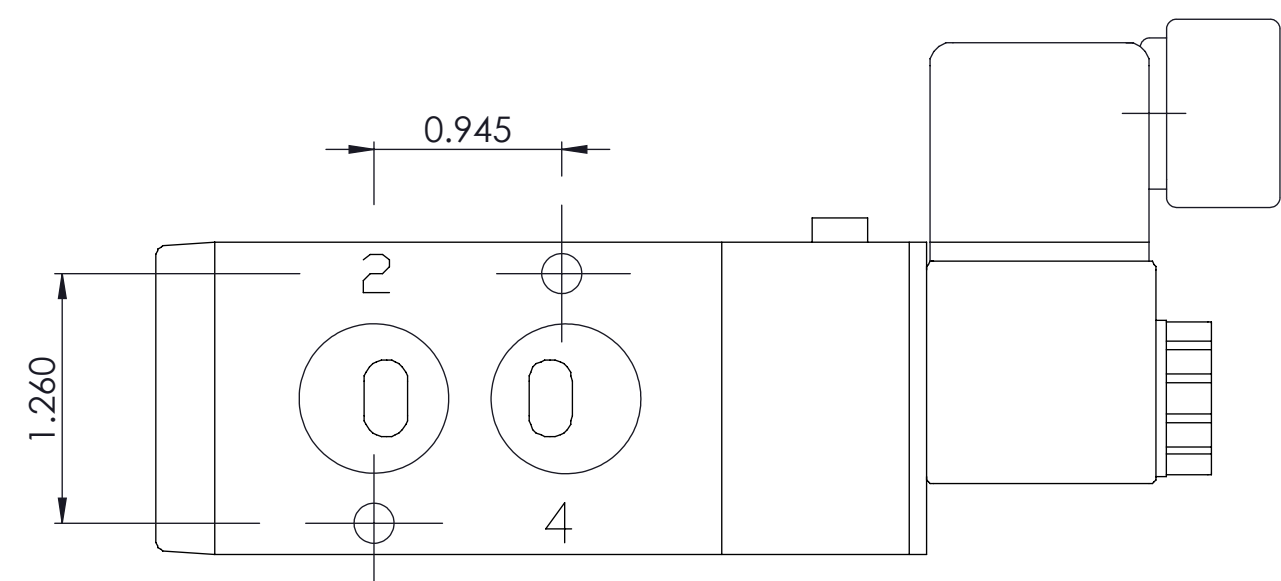
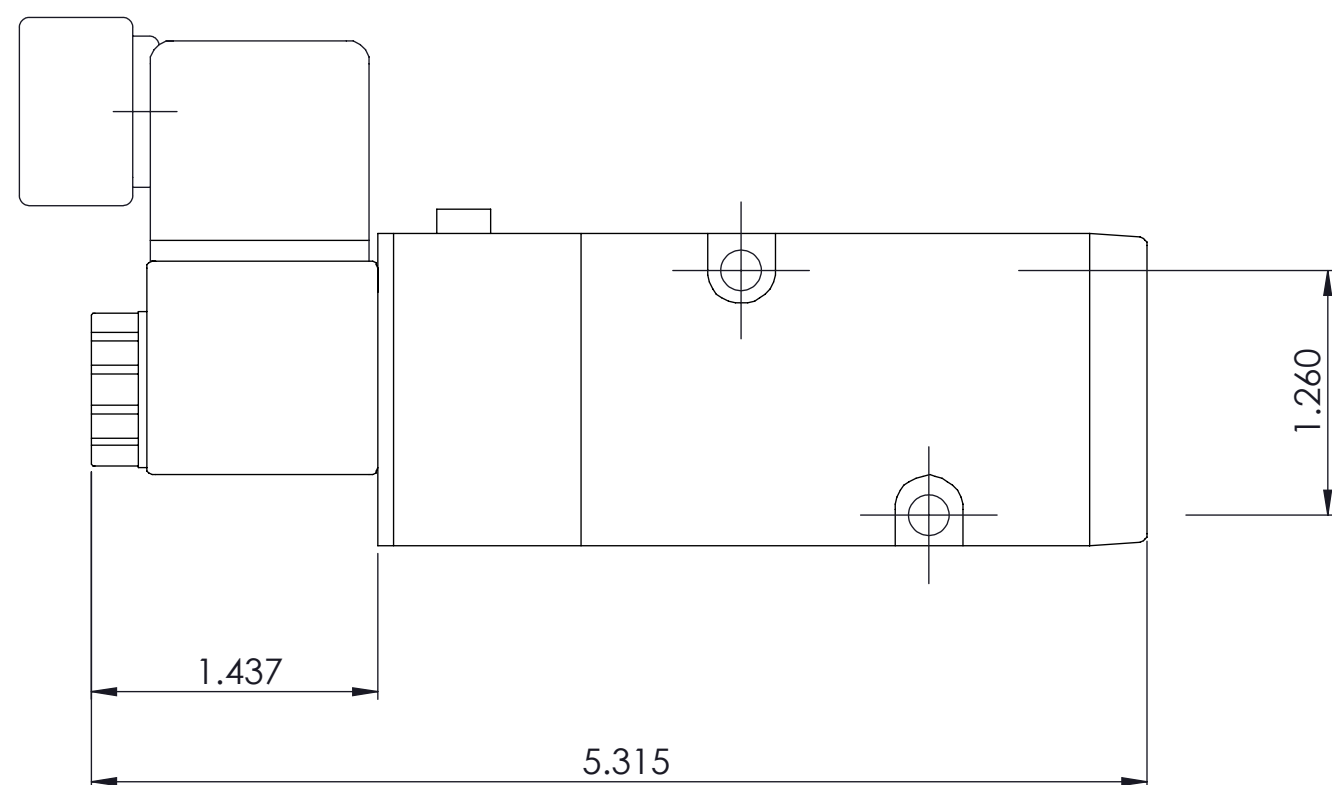
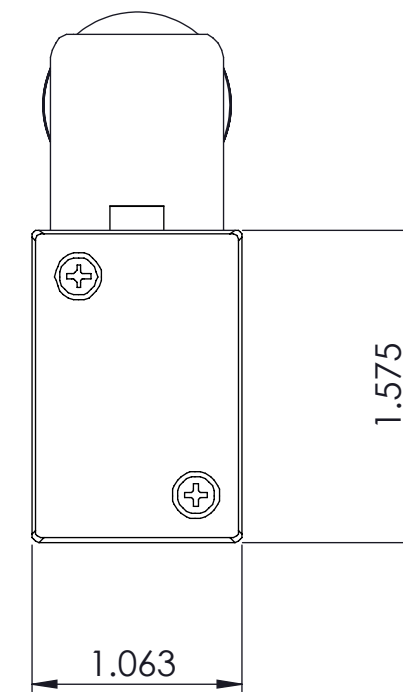
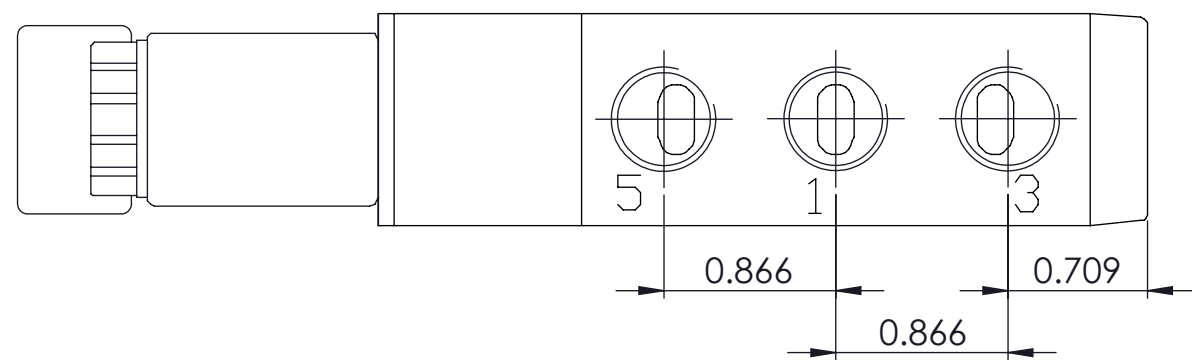


**SV61**  
TECHNICAL DATA

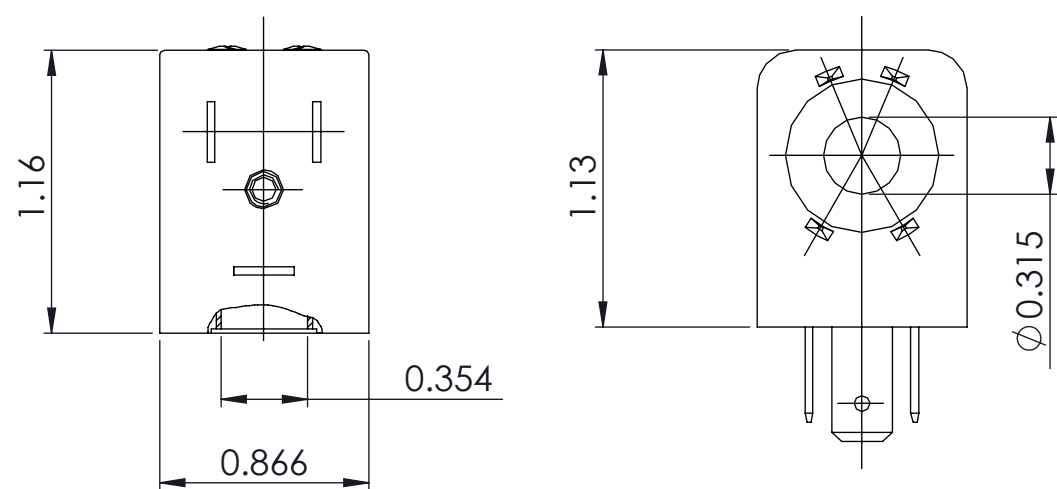


DIMENSIONS TO  
ISO 5211 - DIN 3337  
AND NAMUR VDI/VDE 3845

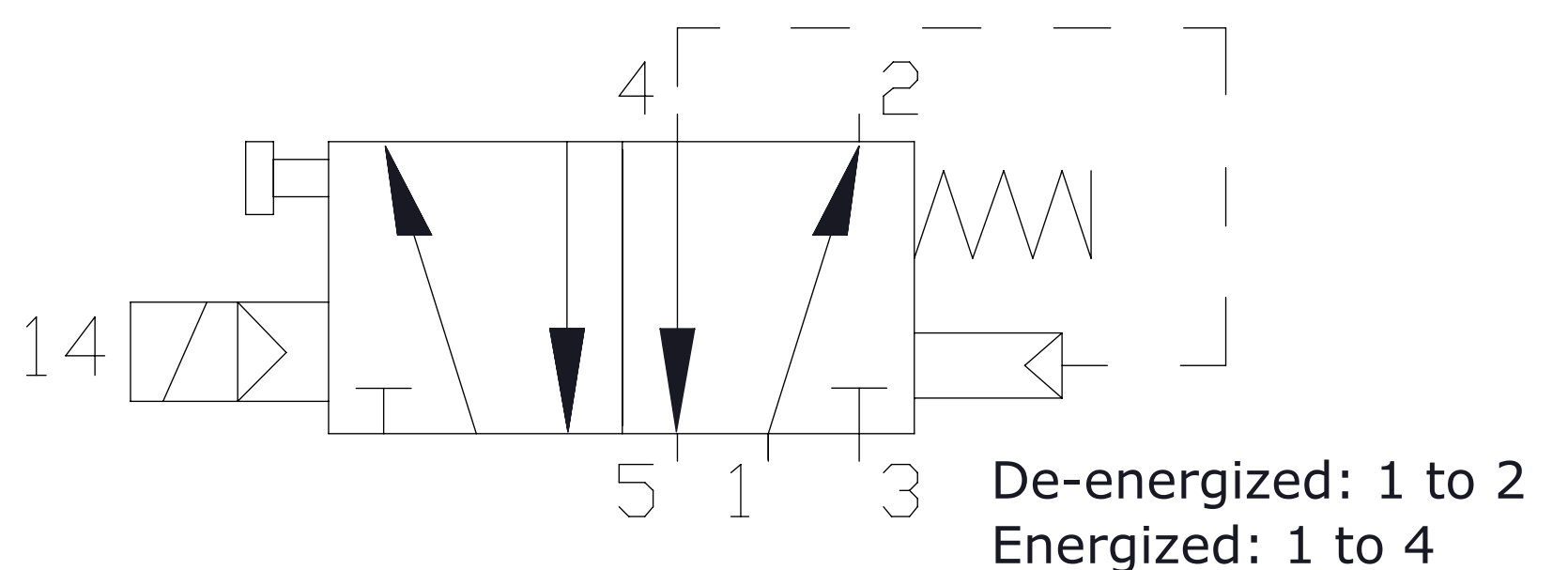
DIMENSIONS IN INCHES



**Coil**



**Left Pilot**



**TECHNICAL DATA**

Standard voltages = 24 - 110 - 220V 50/60 Hz,  
12 - 24V DC  
Power input = 60 Hz inrush 9.4VA holding 6.9VA  
Power input = DC 4.8W  
Voltage tolerance =  $\pm 10\%$   
Coil insulation = class "F" (for nylon coil)  
Duty cycle = 100%  
Protection class = IP65

Air supply connection = 1/4" NPT  
Operating pressure = min. 2 Bar (30 PSI) -  
max. 8 Bar (120 PSI)  
Din connector = 1/2" NPT  
Flow factor = Cv 1.1  
Max operating frequency = 600/1'  
Room temperature limit = -4°F~158°F  
Weight = 0.80 lb

**Max-Air** Technology Inc.

751 Hoff Road - O'Fallon, Missouri 63366 U.S.A.  
www.max-airtechnology.com info@max-airtechnology.com