

MT71 F16

TECHNICAL DATA

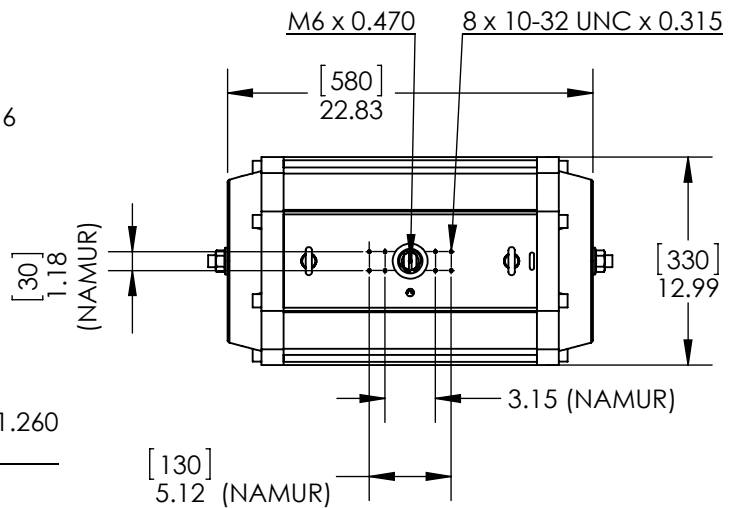
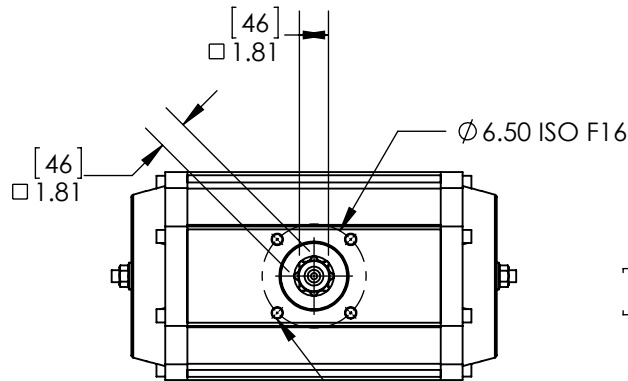
**Max-Air
TECHNOLOGY**

MT70 F16

DATI TECNICI

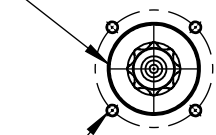
DIMENSIONS TO
ISO 5211 - DIN 3337
AND NAMUR VDI/VE 3845

DIMENSIONS IN INCHES
[MM]

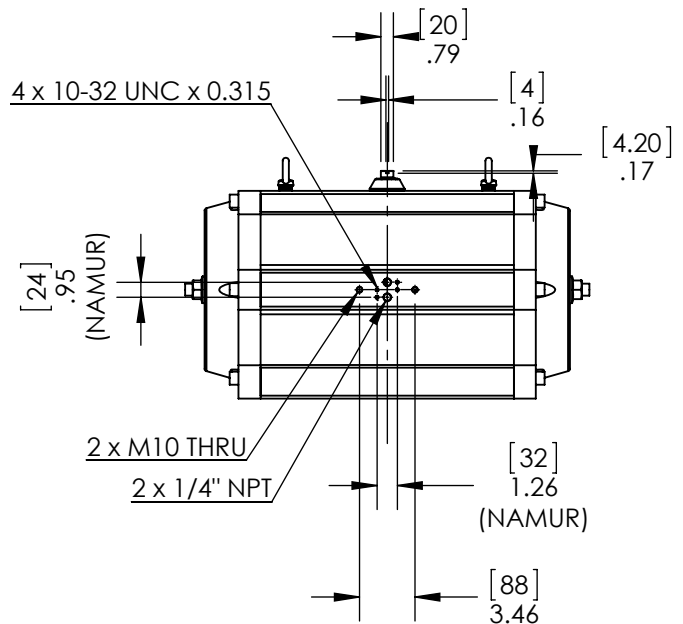
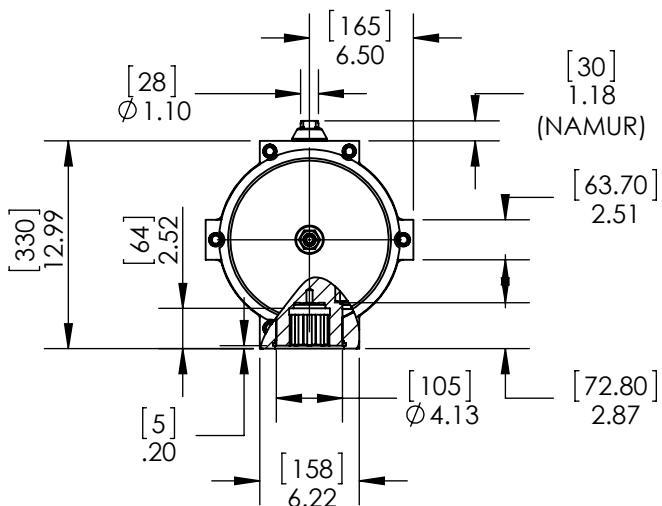


ALTERNATE MOUNTING
PAD OPTION (F14)
4 x 3/4-10 UNC x 1.260
[M20 X 32]

$\text{Ø } 5.512$ ISO F14



4 x 5/8-11 UNC x 1.260
[M16 X 24]



WEIGHT (LB.)		AIR CONSUMPTION (CU. IN.)	
D.A.	S.R. 8+8	D.A.	S.R. 8+8
147.3	182.9	1694.0	600.0

MT-70

VALORI DI COPPIA in "Nm"
TORQUE VALUES in "Nm"

DOPPIO EFFETTO
DOUBLE ACTING

100 kPa = 1 Bar

100 kPa	200 kPa	300 kPa	400 kPa	500 kPa	562 kPa	600 kPa	700 kPa	800 kPa
473	946	1419	1892	2365	2658	2838	3311	3784

SEMPLICE EFFETTO 90°
SPRING RETURN 90°

100 kPa = 1 Bar

POS. 1 COPPIA DI CHIUSURA (RITORNO MOLLE)		POS. 2 - COPPIA DI APERTURA - POS. 2 - OPENING TORQUE																	
		POS. 1 CLOSING TORQUE (SPRING)		200 kPa		300 kPa		400 kPa		500 kPa		562 kPa		600 kPa		700 kPa		800 kPa	
N° MOLLE # SPRINGS	START	END	START	END	START	END	START	END	START	END	START	END	START	END	START	END	START	END	
	1+1	239	173	773	707	1246	1180	1719	1653	2192	2126	2485	2419	2665	2599	3138	3072	3611	3545
2+2	479	346	600	467	1073	940	1546	1413	2019	1886	2312	2179	2492	2359	2965	2832	3438	3305	
3+3	719	519	427	227	900	700	1373	1173	1846	1646	2139	1939	2319	2119	2792	2592	3265	3065	
4+4	958	692	--	--	727	461	1200	934	1673	1407	1966	1700	2146	1880	2619	2353	3092	2826	
5+5	1198	866	--	--	--	--	1026	694	1499	1167	1792	1460	1972	1640	2445	2113	2918	2586	
6+6	1438	1039	--	--	--	--	853	454	1326	927	1619	1220	1799	1400	2272	1873	2745	2346	
7+7	1677	1212	--	--	--	--	--	--	1153	688	1446	981	1626	1161	2099	1634	2572	2107	
8+8	1917	1385	--	--	--	--	--	--	--	--	1273	741	1453	921	1926	1394	2399	1867	

MT-71

TORQUE VALUES in "IN.LB"

SPRING RETURN 90°

DOUBLE ACTING

40 PSIG	11750
60 PSIG	17625
80 PSIG	23500
100 PSIG	29375
120 PSIG	35250

# SPRINGS	POS. 1 CLOSING TORQUE (SPRING)		POS. 2 - OPENING TORQUE									
	START	END	40 PSIG		60 PSIG		80 PSIG		100 PSIG		120 PSIG	
	START	END	START	END	START	END	START	END	START	END	START	END
1+1	2123	1534	10216	9627	16091	15502	21966	21377	27841	27252	33716	33127
2+2	4247	3068	8682	7503	14557	13378	20432	19253	26307	25128	32182	31003
3+3	6370	4602	7148	5380	13023	11255	18898	17130	27773	23005	30648	28880
4+4	8493	6136	5614	3257	11489	9132	17364	15007	23239	20882	29114	26757
5+5	10617	7670	--	--	9955	7008	15830	12883	21705	18758	27580	24633
6+6	12740	9204	--	--	8421	4885	14296	10760	20171	16635	26046	22510
7+7	14863	10737	--	--	--	--	12763	8637	18638	14512	24513	20387
8+8	16987	12271	--	--	--	--	11229	6513	17104	12388	22979	18263

