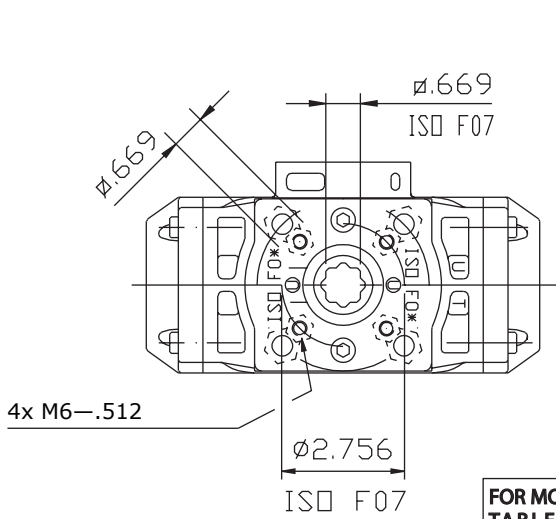


GP-19
TECHNICAL DATA

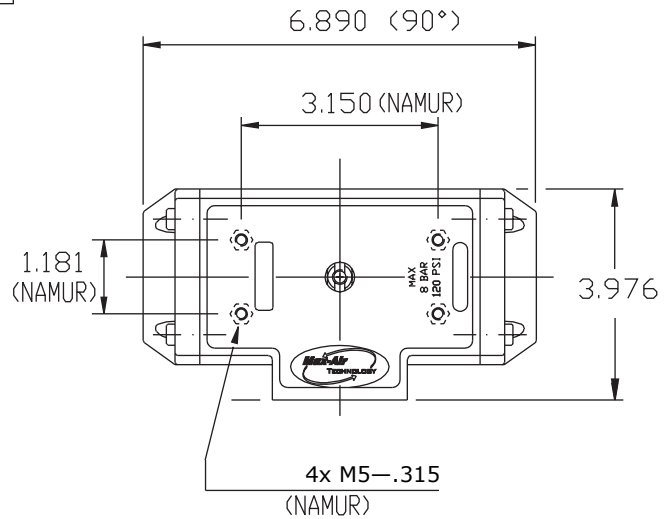
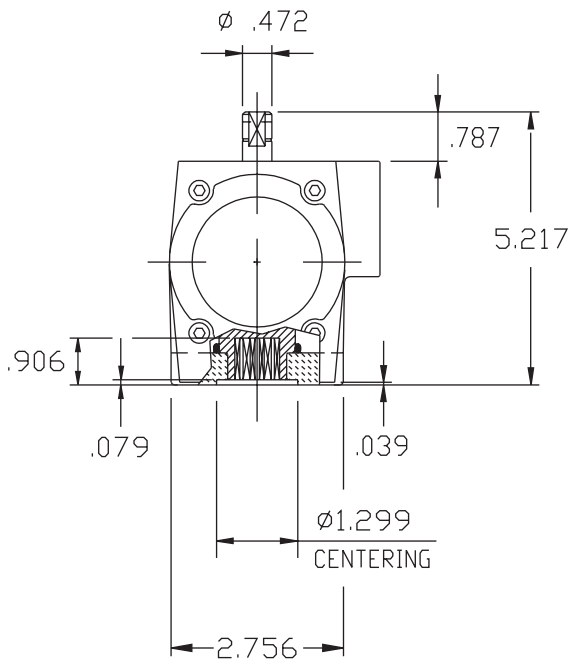
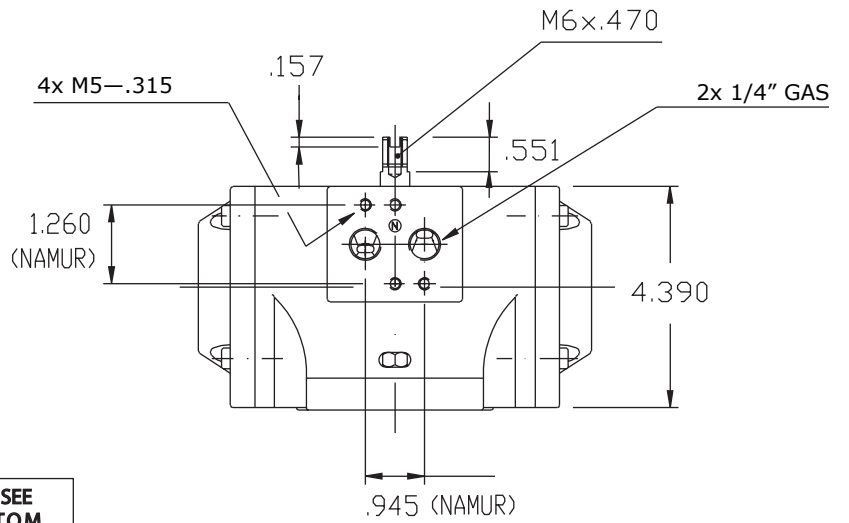


DIMENSIONS TO
ISO 5211 - DIN 3337
AND NAMUR VDI/VDE 3845

DIMENSIONS IN INCHES



FOR MOUNTING SEE
TABLE "BOTTOM
MOUNTING PLATE
DIMENSIONS"



STANDARD TEMPERATURE -4°F + 194°F

WEIGHT IN L.B.		AIR CONSUMPTION IN CU. IN.	
D.A.	S.R.	D.A.	S.R.
3.55	4.37(6+6)	40.6	17.5 (6+6)

Max-Air TECHNOLOGY INC.

751 Hoff Road - O'Fallon, Missouri 63366 U.S.A.
www.max-airtechnology.com sales@max-airtechnology.com