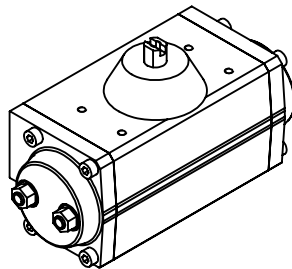
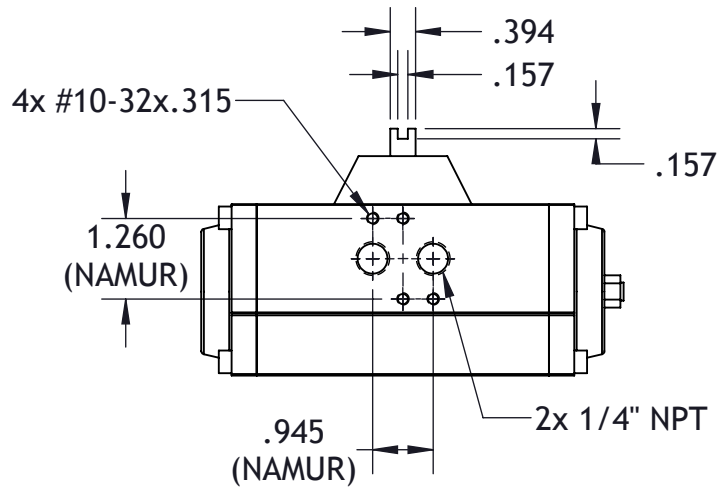
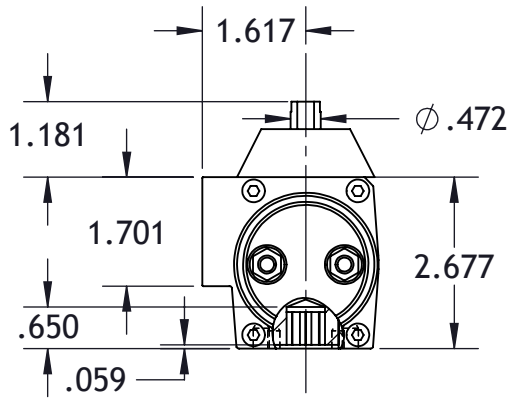
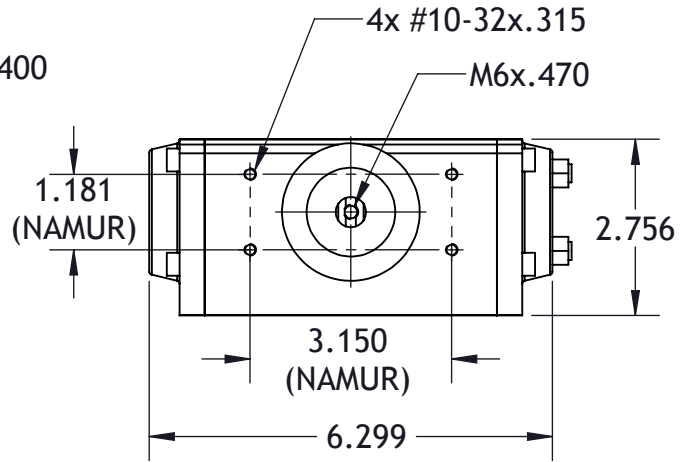
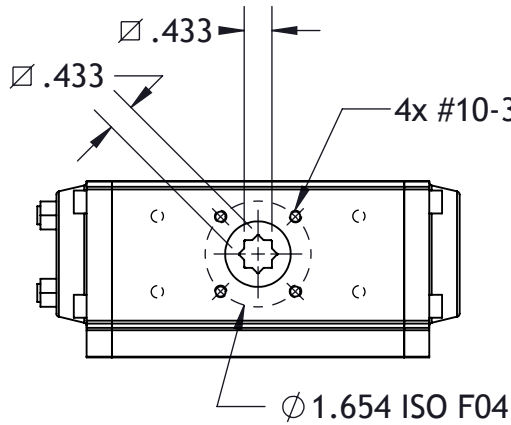


MT08-F04
TECHNICAL DATA



DIMENSIONS TO
ISO 5211 - DIN 3337
AND NAMUR VDI/VDE 3845

DIMENSIONS IN INCHES



WEIGHT (LB)		AIR CONSUMPTION (CU. IN)	
D.A.	S.R.	D.A.	S.R.
2.76	3.00	15.26	6.10

Max-Air Technology Inc.

751 Hoff Road - O'Fallon, Missouri 63366 U.S.A.
www.max-airtechnology.com info@max-airtechnology.com