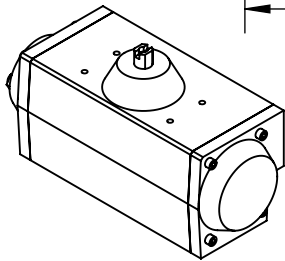
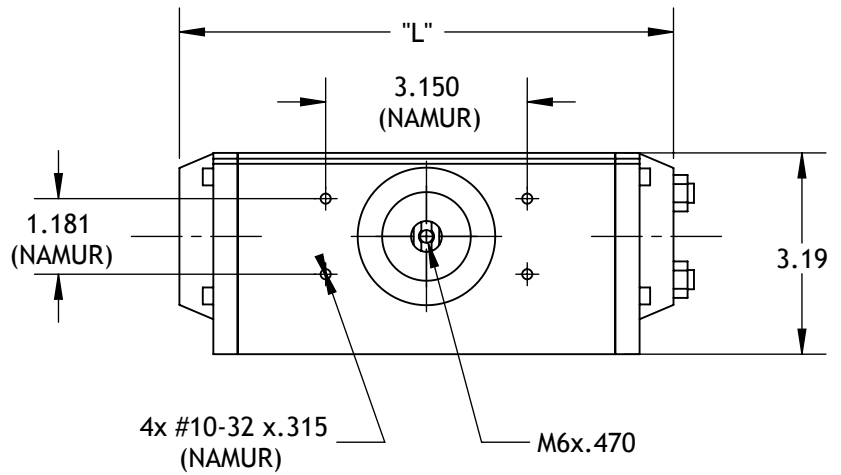
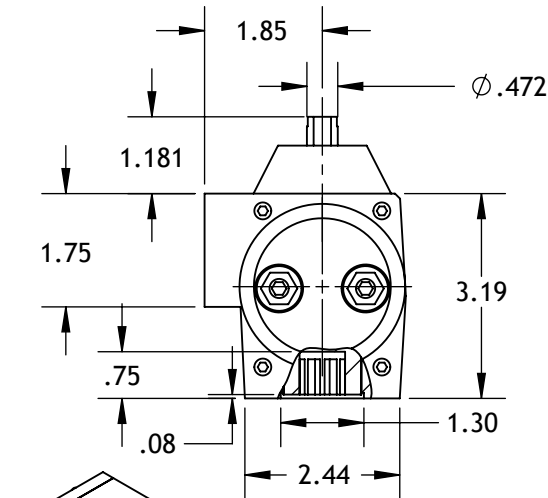
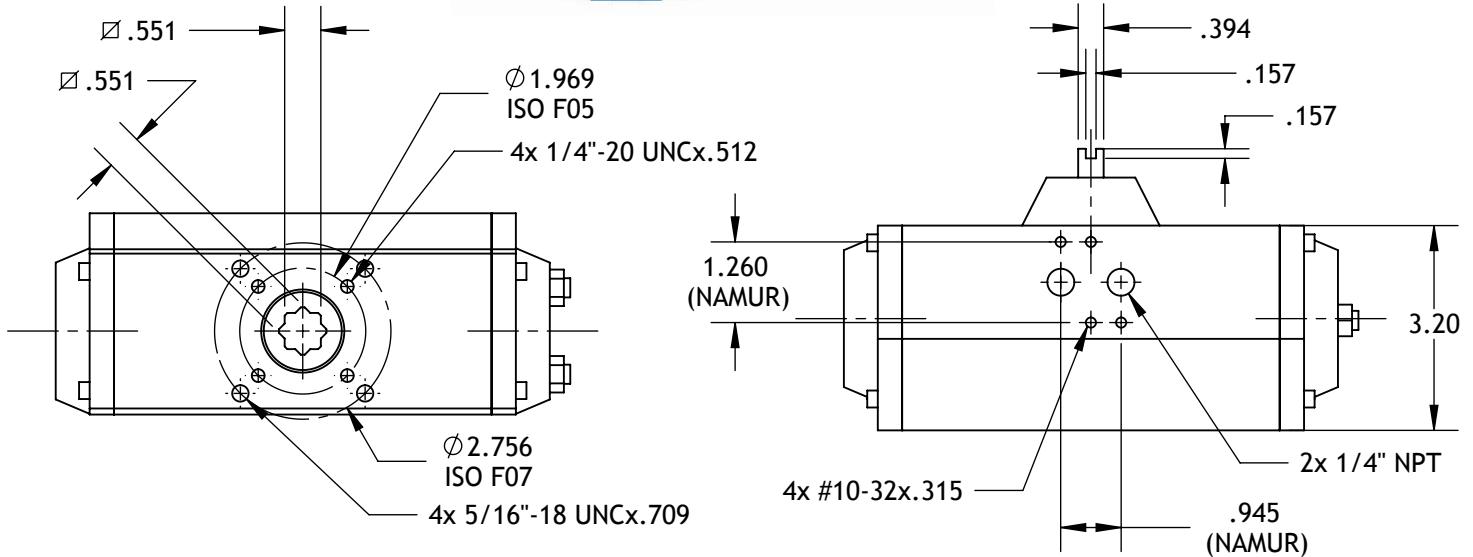


MT17
TECHNICAL DATA



DIMENSIONS TO
ISO 5211 - DIN 3337
AND NAMUR VDI/VDE 3845

DIMENSIONS IN INCHES



	90°	120°	135°	150°	180°
"L"	7.756	8.622	9.252	9.881	10.787

WEIGHT

STROKE	DOUBLE ACTING					SPRING RETURN 7+5 SPRING
	90°	120°	135°	150°	180°	90°
LB.	4.22	CALL	CALL	CALL	CALL	4.75

AIR CONSUMPTION (FULL CYCLE)

STROKE	DOUBLE ACTING					SPRING RETURN 7+5 SPRING
	90°	120°	135°	150°	180°	90°
CU.-IN.	34.3	39.9	43.1	47.4	53.7	15.6

Max-Air Technology Inc.

751 Hoff Road - O'Fallon, Missouri 63366 U.S.A.

www.max-airtechnology.com info@max-airtechnology.com