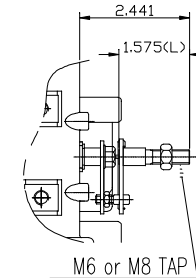
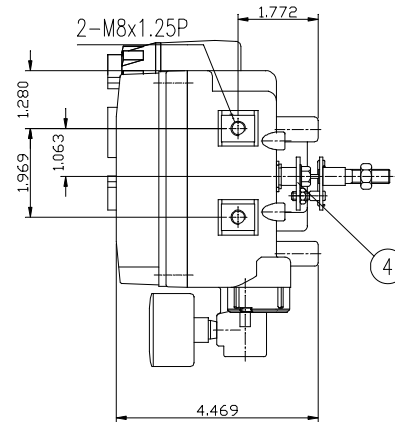
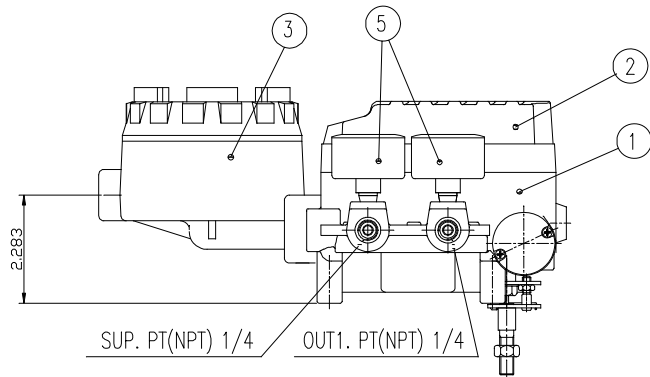
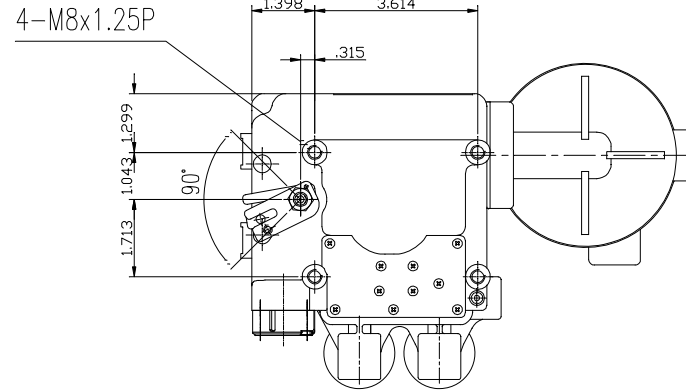
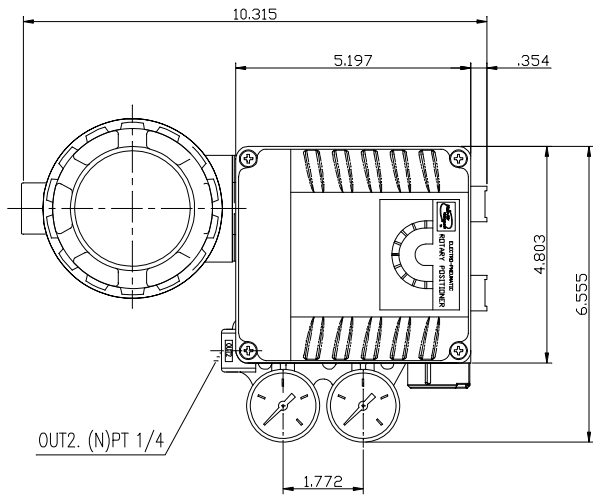


SPECIFICATIONS (POSITIONER)

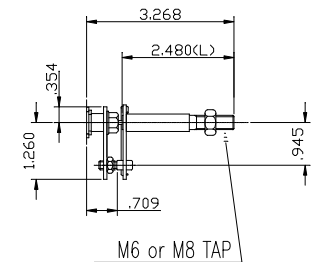
Applicable Fluid	Air	
Acting Type	<input type="checkbox"/> Single	<input type="checkbox"/> Double
Input Signal	4 ~ 20 mA DC	
Impedance	250±15 Ω	
Supply Pressure	1.4~7.0 Kg/cm ² (20~100 psi)	
Stroke	0° ~ 60°, 0° ~ 90°	
Connection	(N)PT 1/4	
Conduit	PF 1/2 (G 1/2), (N)PT 1/2	
Gauge Port	(N)PT 1/8	
Explosion Proof	<input type="checkbox"/> ExdmlIBT5	<input type="checkbox"/> ExdmlICT5 <input type="checkbox"/> ExiallBT5
pressure Gauge	<input type="checkbox"/> 0~28 psi	<input type="checkbox"/> 0~57 psi <input type="checkbox"/> 0~140 psi
Ambient Temp	-4° ~158° F	
Linearity	±1.0% F.S.	±2.0% F.S.
Hysteresis	±1.0% F.S.	
Sensitivity	±0.2% F.S.	±0.5% F.S.
Repeatability	±0.5% F.S.	
Air Consumption	0.11 CFM (Sup.=20 psi)	
Flow Capacity	2.8 CFM (Sup.=20 psi)	
Weight	3.8 kg (8.4 lb)	
Actuator Shaft	<input type="checkbox"/> L=40mm <input type="checkbox"/> L=63mm	<input type="checkbox"/> NAMUR
	<input type="checkbox"/> M6 <input type="checkbox"/> M8	
Material	ALUMINUM DIECASTING	

SPECIFICATIONS (TRANSMITTER)

Input Type	2 Wire	Protection	IP66
Input Signal	90°	Linearity	±1% F.S.
Output Signal	4 ~ 20mA DC	Hysteresis	±0.2% F.S.
Load Resistance	0 ~ 600 Ohm	Sensitivity	±0.2% F.S.
Noise Range	50mVp.p	Supply Voltage	15 ~ 30V DC
Adjustment	Zero:±10% Span:60~110%	Explosion Proof	Non - Explosion



LEVER TYPE 'A'



LEVER TYPE 'B'

Item No.	DESCRIPTION	Material
1	BASE BODY	ALDC12
2	BASE COVER	ALDC12
3	JUNCTION BOX	ALDC12
4	CONNECT LEVER ASS'Y	STS 303, 304P
5	PRESSURE GAUGES	STS 304
6		
7		

ASSEMBLY DRAWING


Figure No's: PEY03 Reference No.

Description: Electro-Pneumatic Positioner w/ Int PTM, w/ Universal Mtg, Gages

MAX-AIR TECHNOLOGY, INC.

PEY03

Electro-Pneumatic Positioner
w/ Position Transmitter



BY: SE DATE: 8/13/08 DATE: 7/15/2008

REVISIONS: 2