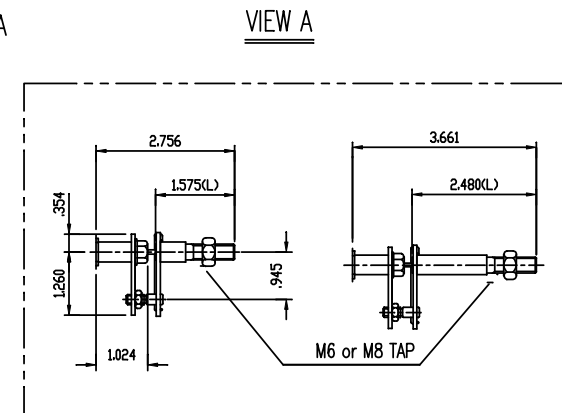
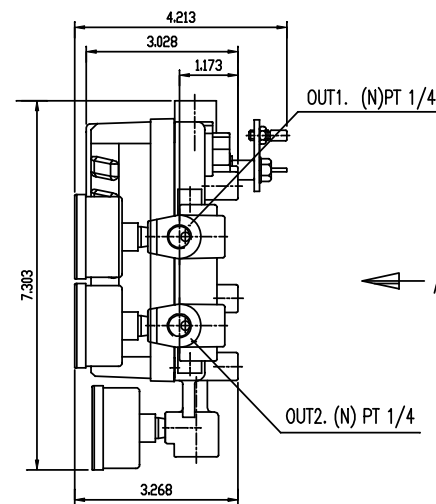
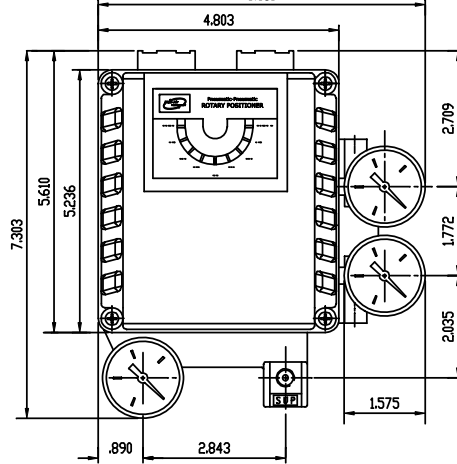
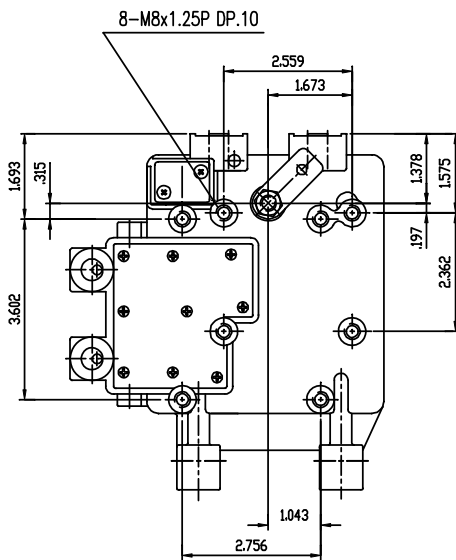
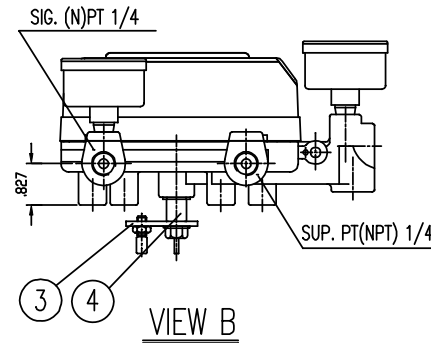
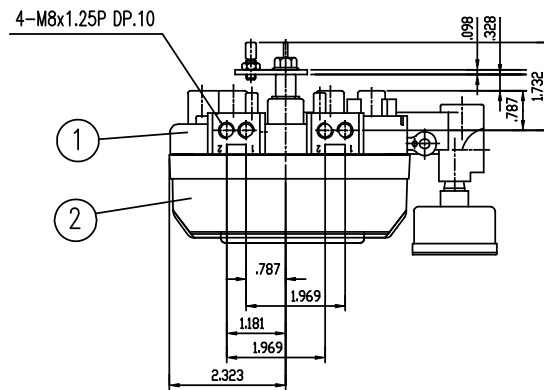


SPECIFICATIONS

Applicable Fluid	Air	
Acting Type	<input type="checkbox"/> Single	<input type="checkbox"/> Double
Input Signal	0.2~1.0 Kg/cm ² (3~15 psi)	
Supply Pressure	1.4~7.0 Kg/cm ² (20~100 psi)	
Stroke	0 ~ 90°	
Connection	PT 1/4 (Gauge PT 1/8)	
	NPT 1/4 (Gauge NPT 1/8)	
Pressure Gauge (Output Pressure)	0~28 psi	
	0~57 psi	
	0~140 psi	
Ambient Temp	-4° F~158° F	
Linearity	±2.0% F.S	
Hysteresis	±1.0% F.S	
Sensitivity	±0.5% F.S	
Repeatability	±0.5% F.S	
Air Consumption	0.11 CFM (Sup.=20 psi)	0.39 CFM (Sup.=57 psi)
Max. Flow Capacity	2.8 CFM (Sup.=20 psi)	7.1 CFM (Sup.=57 psi)
Weight	1.7 kg (3.7 lb)	
Material	Aluminum Diecasting	
Actuator Shaft Type	<input type="checkbox"/> M6	<input type="checkbox"/> M8
	<input type="checkbox"/> 40mm	<input type="checkbox"/> 63mm
	<input type="checkbox"/> Namur	



▲
B

▲
A

VIEW A

VIEW B

Item No.	DESCRIPTION	Material
1	BASE BODY	ALDC12
2	BASE COVER	ALDC12
3	CONNECT LEVER ASSEMBLY	STS 303, 304P
4	MAIN SHAFT	STS 303
5		
6		
7		

BY: SE DATE: 8/13/08

REVISIONS: 3

ASSEMBLY DRAWING

Figure No's: PNY01

Reference No.

Description: Pneumatic Positioner, 3-15 psi, w/ Universal Mtg, Gages

MAX-AIR TECHNOLOGY, INC.

PNY01
Pneumatic Positioner



DATE: 7/14/2008