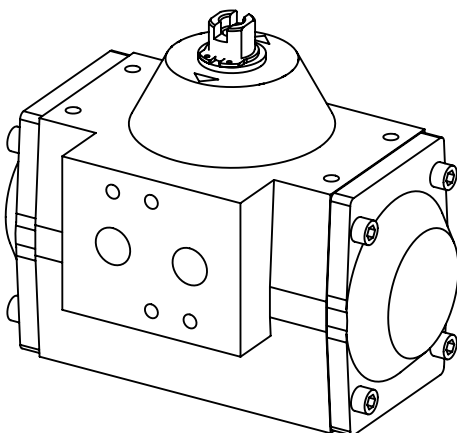
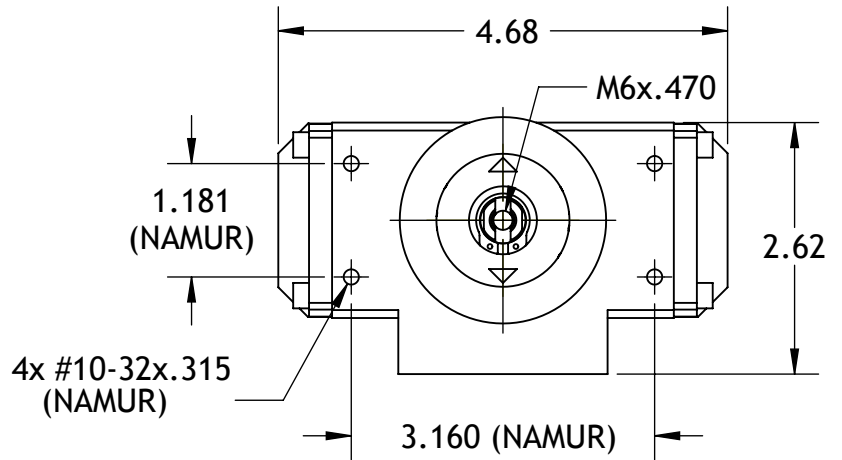
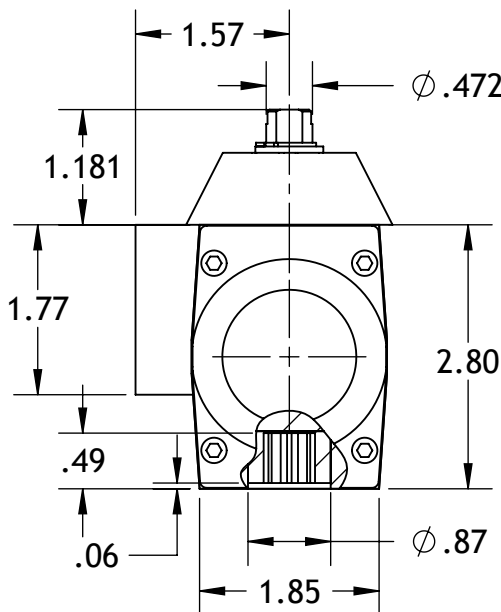
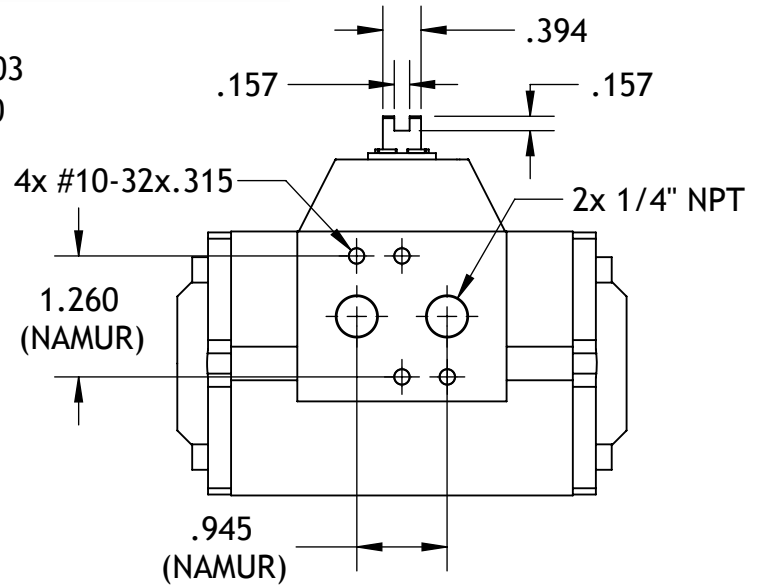
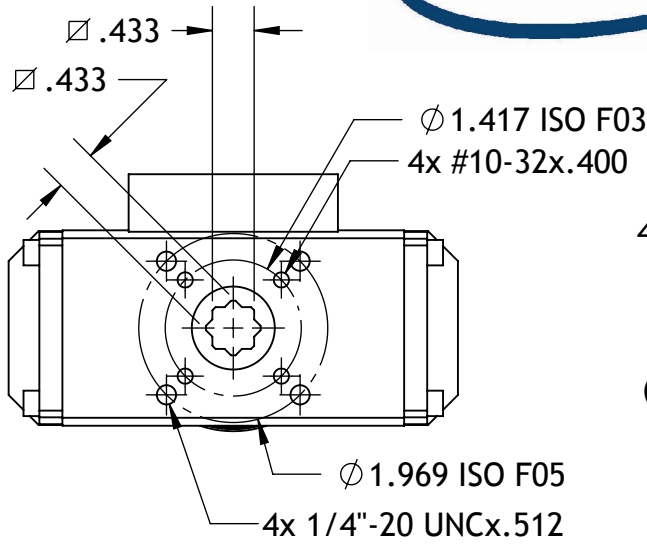


SS12-F03/F05
TECHNICAL DATA



DIMENSIONS TO
 ISO 5211 - DIN 3337
 AND NAMUR VDI/VDE 3845

DIMENSIONS IN INCHES



	Double Acting	Spring Return
Air Consumption (Full Cycle)	13.5 in ³	8.0 in ³
Weight	4.4 lbs	4.6 lbs (3+3 Springs)

Max-Air Technology Inc.

751 Hoff Road - O'Fallon, Missouri 63366 U.S.A.
www.max-airtechnology.com info@max-airtechnology.com