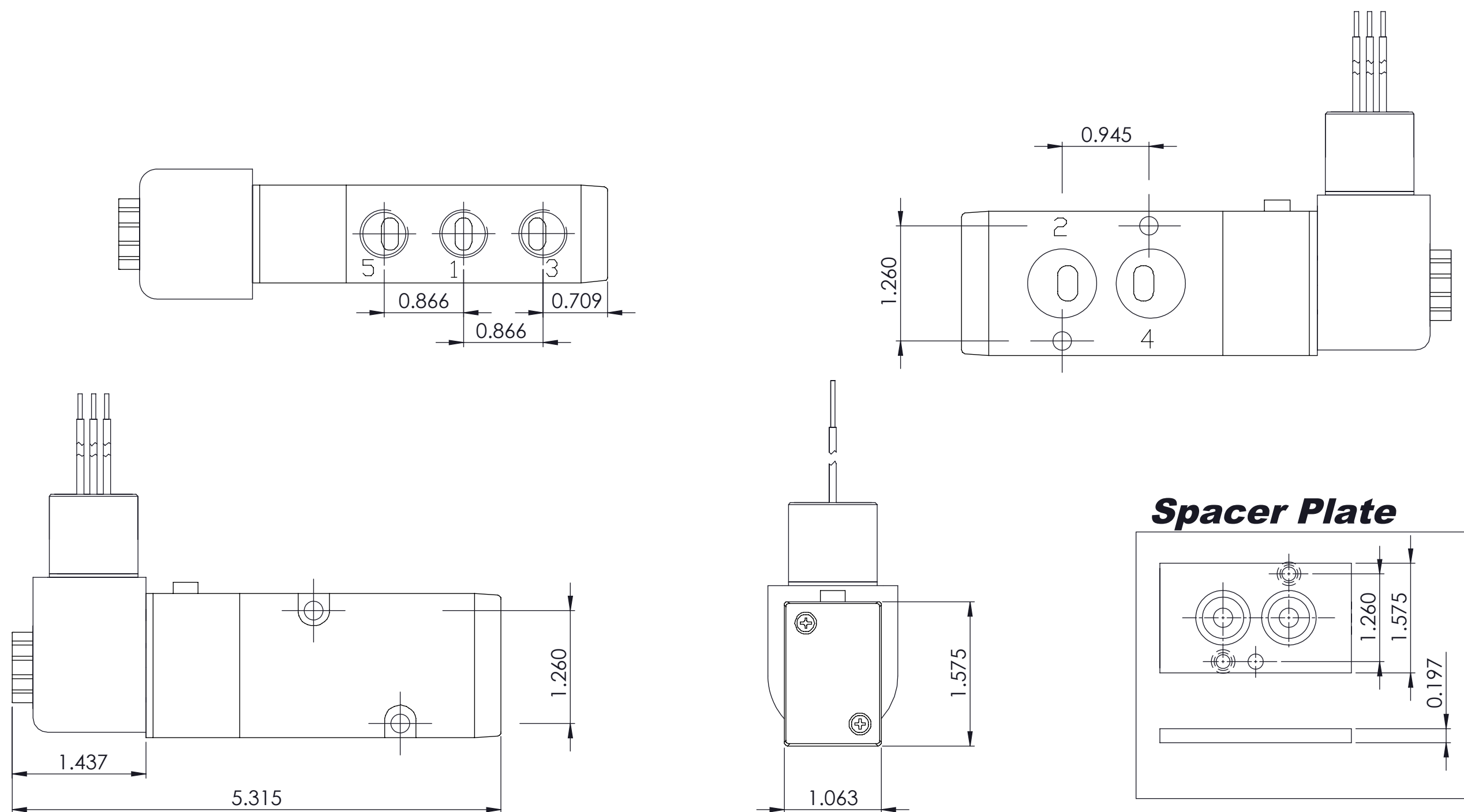


SV91
TECHNICAL DATA



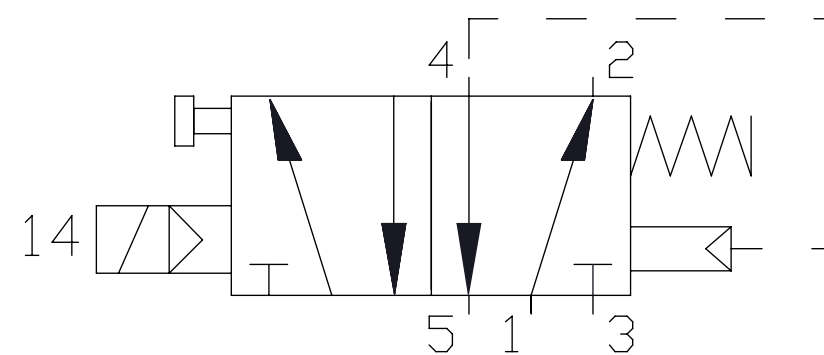
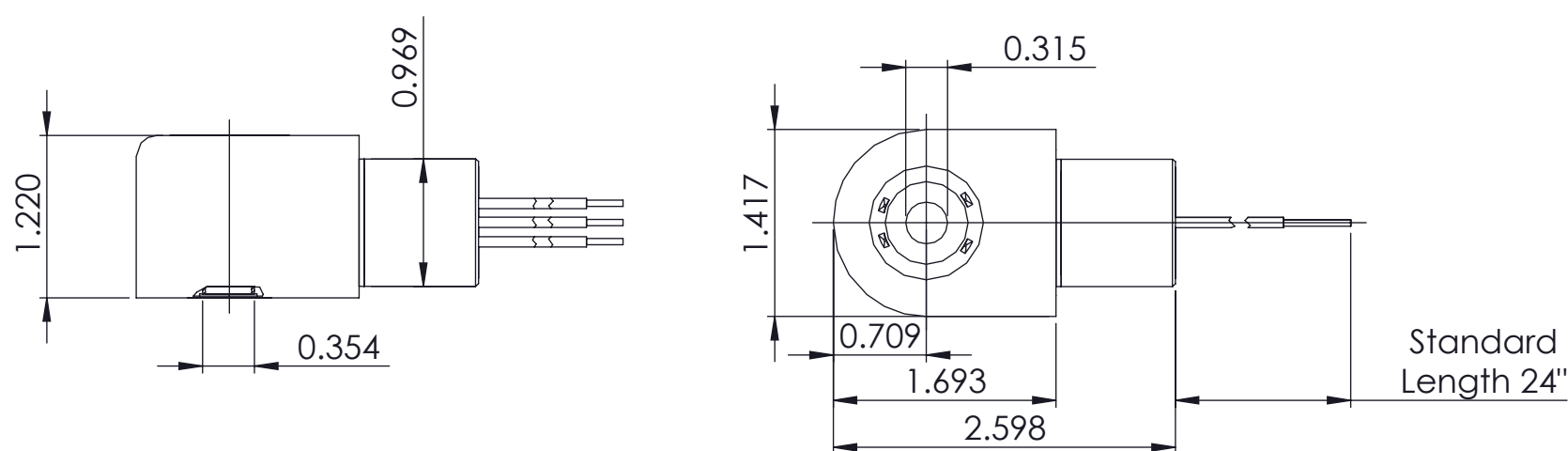
DIMENSIONS TO
ISO 5211 - DIN 3337
AND NAMUR VDI/VDE 3845

DIMENSIONS IN INCHES



Coil

Left Pilot



De-energized: 1 to 2
Energized: 1 to 4

TECHNICAL DATA

Standard voltages = 24 - 110 - 220V 50/60 Hz,
12 - 24V DC
Power input = 60 Hz inrush 7.5VA holding 5VA
Power input = DC 6W
Voltage tolerance = $\pm 10\%$
Coil insulation = Class "H"
Duty cycle = 100%
Protection class = IP65

Air supply connection = 1/4" NPT
Operating pressure = Min. 2 Bar (30 PSI) -
Max. 8 Bar (120 PSI)
Conduit connection = 1/2" NPT
Flow factor = Cv 1.1
Max operating frequency = 600/1'
Room temperature limit = -4°F~140°F
Weight = 0.95 lb

Max-Air Technology Inc.

751 Hoff Road - O'Fallon, Missouri 63366 U.S.A.
www.max-airtechnology.com info@max-airtechnology.com