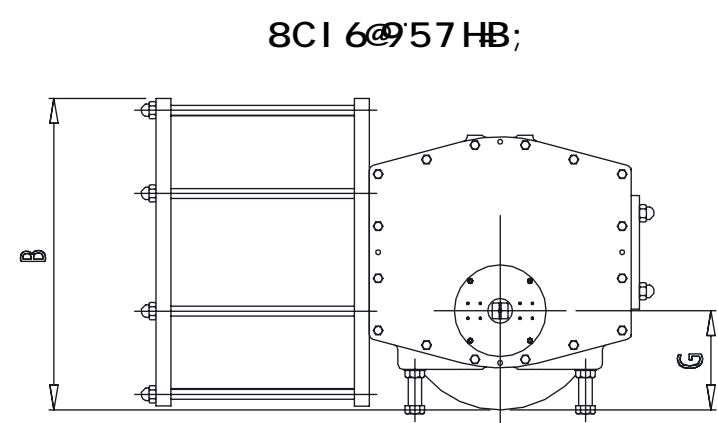
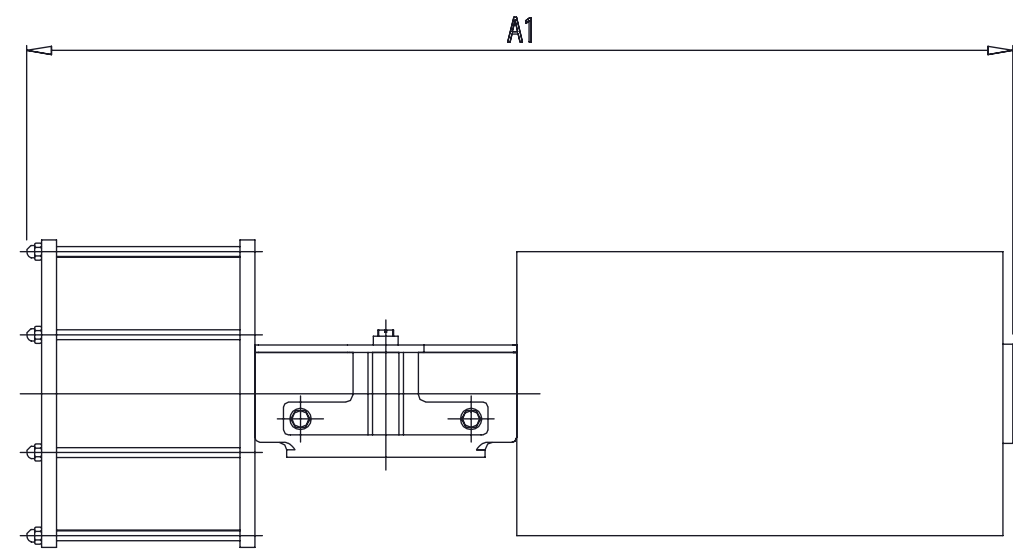
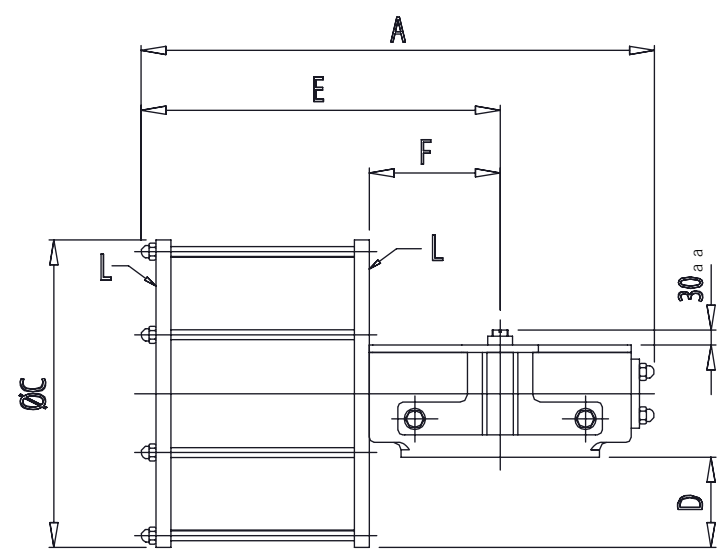


Overall Dimensions									
Model	A	A1	B	C	D	E	f	G	L
aHD16-U020***	31.5	52.2	14.6	10.7	1.89	20.3	7.72	5.71	1/2" NPT
aHD16-U025***	31.5	52.2	15.6	12.7	2.87	20.3	7.72	5.71	1/2" NPT
aHD16-U030***	31.5	52.2	16.5	14.7	3.86	20.3	7.72	5.71	1/2" NPT
aHD16-U035***	31.5	52.2	17.5	16.1	4.61	20.3	7.72	5.71	1/2" NPT
aHD25-U035***	38.8	59.4	19.3	16.1	3.62	25.7	9.29	6.89	1/2" NPT
aHD25-U038***	38.8	59.4	19.9	18.1	4.65	25.7	9.29	6.89	1/2" NPT
aHD25-U043***	38.8	59.4	20.9	20.2	5.63	25.7	9.29	6.89	1/2" NPT
aHD30-U043***	47.8	76.2	25.2	20.2	5.04	30.0	11.3	7.48	3/4" NPT
aHD30-U048***	47.8	76.2	25.9	22.2	6.02	30.0	11.3	7.48	3/4" NPT
aHD30-U053***	47.8	76.2	26.9	24.6	7.24	30.0	11.3	7.48	3/4" NPT
aHD35-U053***	56.5	91.3	28.0	24.6	6.18	35.6	13.5	9.06	3/4" NPT
aHD35-U058***	56.5	91.3	28.8	26.6	7.20	35.6	13.5	9.06	3/4" NPT
aHD35-U063***	56.5	91.3	29.9	28.7	8.27	35.6	13.5	9.06	3/4" NPT
aHD40-U063***	67.3	108.3	32.7	29.3	7.56	44.3	16.3	10.2	3/4" NPT
aHD40-U068***	67.3	108.3	33.5	31.3	8.54	44.3	16.3	10.2	3/4" NPT
aHD40-U073***	67.3	108.3	34.4	33.3	9.57	44.3	16.3	10.2	3/4" NPT

Replace "a" with "C" (for CHD Series) or "S" (for SHD Series)

BcHY. 5" X[a Ybg]cbg]b ]bWVYgi b`Ygg]cH.Yfk ]gY`gdYVWZYX

CJ9F5@@  
8-A 9BG-CBG



8CI 6@57HB;

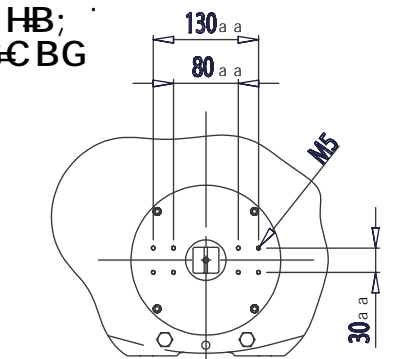
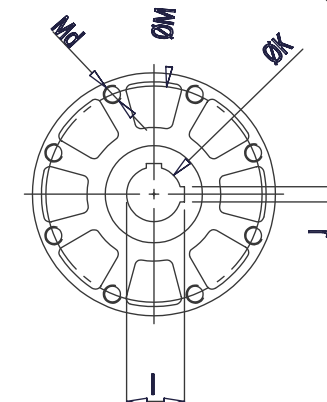
GDF-B; F9H FB

Connecting Dimensions									
Model	Threads					I	J	Main Bore	
	ØM	N	Md	Depth	ISO			ØK	Depth
aHD16-U020***	6.50	4	3/4"-10 UNC	0.98	F16	2.13	0.551	1.969	6.14
aHD16-U025***	6.50	4	3/4"-10 UNC	0.98	F16	2.13	0.551	1.969	6.14
aHD16-U030***	6.50	4	3/4"-10 UNC	0.98	F16	2.13	0.551	1.969	6.14
aHD16-U035***	6.50	4	3/4"-10 UNC	0.98	F16	2.13	0.551	1.969	6.14
aHD25-U035***	10.00	8	5/8"-11 UNC	0.67	F25	3.35	0.787	3.150	8.03
aHD25-U038***	10.00	8	5/8"-11 UNC	0.67	F25	3.35	0.787	3.150	8.03
aHD25-U043***	10.00	8	5/8"-11 UNC	0.67	F25	3.35	0.787	3.150	8.03
aHD30-U043***	11.73	8	3/4"-10 UNC	1.34	F30	4.58	1.102	4.331	9.21
aHD30-U048***	11.73	8	3/4"-10 UNC	1.34	F30	4.58	1.102	4.331	9.21
aHD30-U053***	11.73	8	3/4"-10 UNC	1.34	F30	4.58	1.102	4.331	9.21
aHD35-U053***	14.02	8	1"-8 UNC	1.69	F35	5.41	1.260	5.118	10.98
aHD35-U058***	14.02	8	1"-8 UNC	1.69	F35	5.41	1.260	5.118	10.98
aHD35-U063***	14.02	8	1"-8 UNC	1.69	F35	5.41	1.260	5.118	10.98
aHD40-U063***	15.98	8	1-1/4"-7 UNC	1.38	F40	6.20	1.260	5.906	12.83
aHD40-U068***	15.98	8	1-1/4"-7 UNC	1.38	F40	6.20	1.260	5.906	12.83
aHD40-U073***	15.98	8	1-1/4"-7 UNC	1.38	F40	6.20	1.260	5.906	12.83

Replace "a" with "C" (for CHD Series) or "S" (for SHD Series)

BcHY. 5" X[a Ybg]cbg]b ]bWVYgi b`Ygg]cH.Yfk ]gY`gdYVWZYX

7CBB97HB;  
8-A 9BG-CBG



A UI!5]fHYWbc`c[ mž`bW`  
+) %<c ZFcUX  
C fiU`cbžA C`\*''\*\*  
fl,, t', (&!- - - ,  
k k k "a UI U]fHYW "Wca

G<8#7 <8`G9F`9G`G7 C H7 <`  
MC?9`57H 5HC F  
8-A 9BG-CBG

	B5A 9	85H9
8F5K B	G9	%@#&#%&
7 <97 ?98		
9B: "5DDF"		
A: "5DDF"		

DFCF-96FM5B8 7CB: 89B5@  
H:9-B: CFA 5HC B 7 C B H5 B 98`B H-G  
8F5K`B: 6H:9QC @DFC D9F HMC:  
A 5L15 F`H7 <BC @C: MZ-B 7`"5BM  
F9DFC B1 7 HC B`B`D5FHCF 5G5 K <C @  
K`H:C1 H:9K F`H9B`D9FA 4GG B C:  
A 5L15 F`H7 <BC @C: MZ-B 7`"5G  
DFC <4+98"

GAD	8K ; "BC"	F9J
6	G<8#7 <8LLL LLLLLL	\$
G7 5 @. % % \$	K 9 ÷ <H`	G<99H%#%