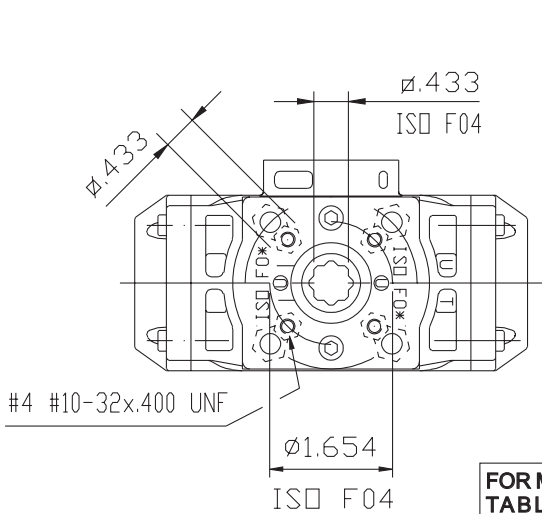


**UT-11**  
**TECHNICAL DATA**

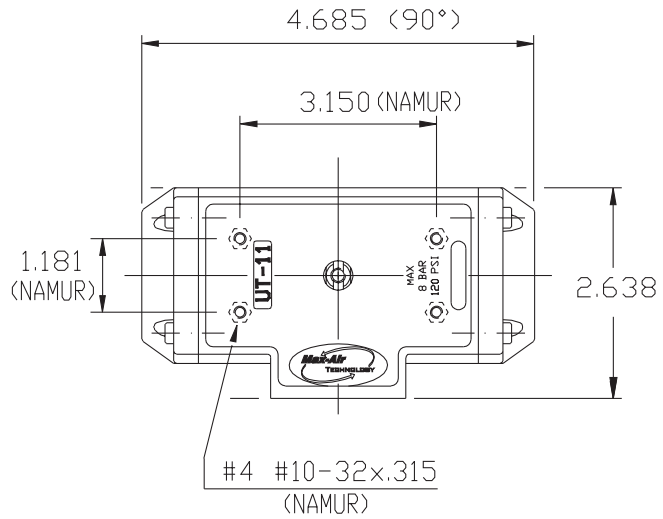
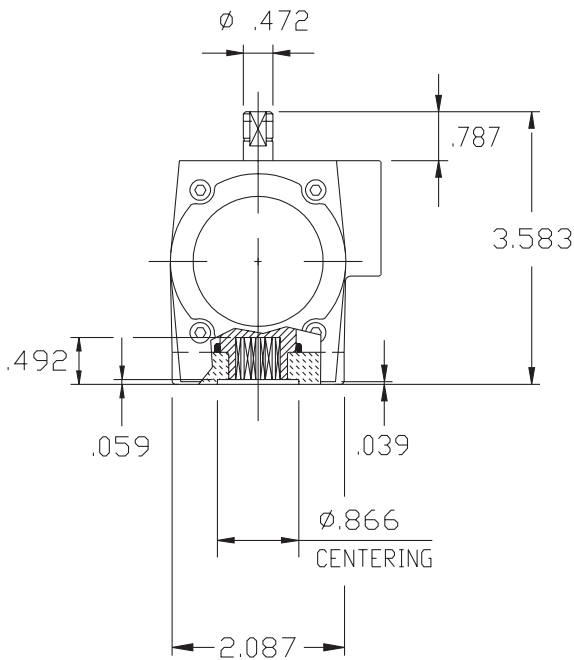
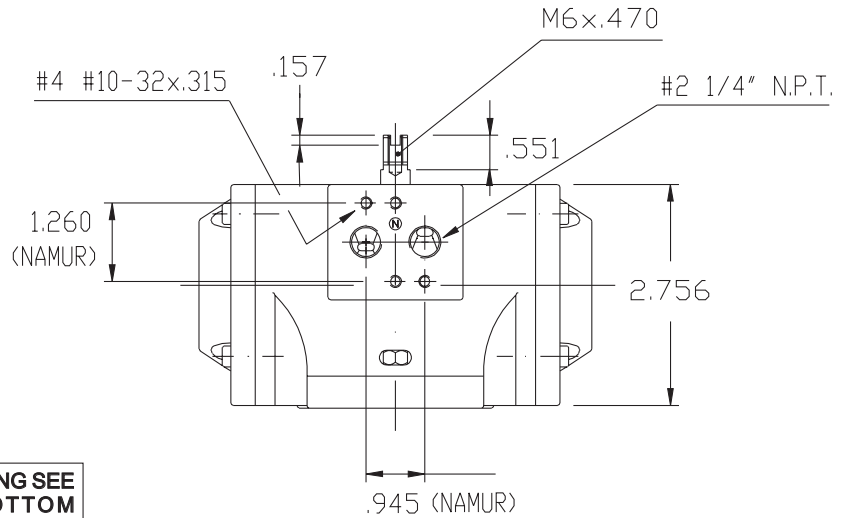


DIMENSIONS TO  
 ISO 5211 - DIN 3337  
 AND NAMUR VDI/VDE 3845

DIMENSIONS IN INCHES



FOR MOUNTING SEE  
 TABLE "BOTTOM  
 MOUNTING PLATE  
 DIMENSIONS"



STANDARD TEMPERATURE  $-4^{\circ}\text{F} + 194^{\circ}\text{F}$

WEIGHT IN L.B.		AIR CONSUMPTION IN CU. IN.	
D.A.	S.R.	D.A.	S.R.
1.257	1.444 (3+3)	13.5	8.0 (3+3)

**Max-Air** TECHNOLOGY INC.

751 Hoff Road - O'Fallon, Missouri 63366 U.S.A.  
[www.max-airtechnology.com](http://www.max-airtechnology.com) [sales@max-airtechnology.com](mailto:sales@max-airtechnology.com)