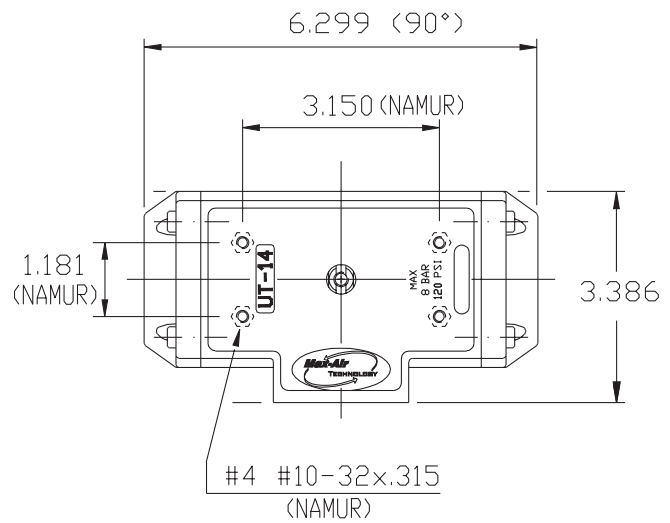
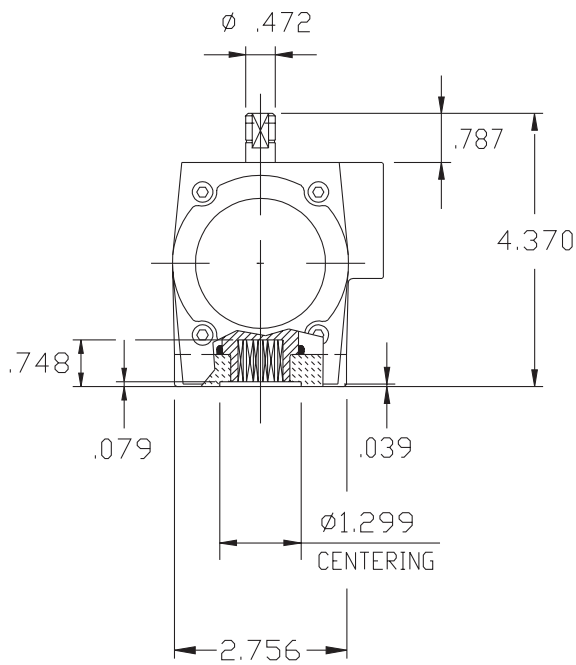
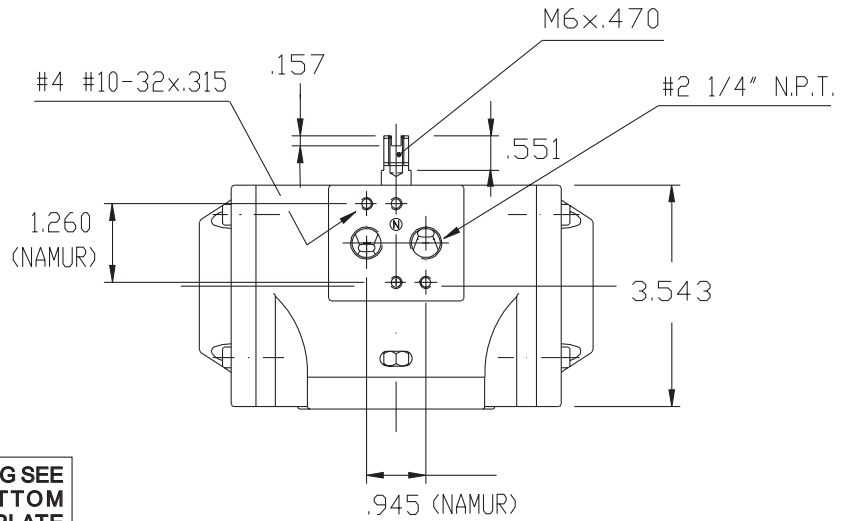
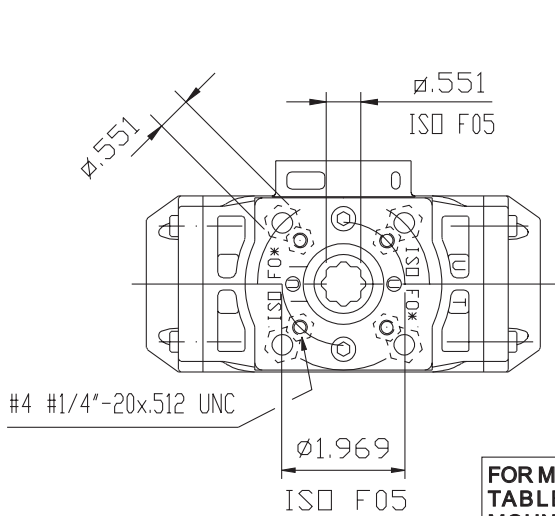


UT-14
TECHNICAL DATA



DIMENSIONS TO
 ISO 5211 - DIN 3337
 AND NAMUR VDI/VDE 3845

DIMENSIONS IN INCHES



STANDARD TEMPERATURE $-4^{\circ}\text{F} + 194^{\circ}\text{F}$

WEIGHT IN L.B.		AIR CONSUMPTION IN CU. IN.	
D.A.	S.R.	D.A.	S.R.
2.624	3.064 (6+6)	22.0	10.8 (6+6)

Max-Air TECHNOLOGY INC.

751 Hoff Road - O'Fallon, Missouri 63366 U.S.A.
www.max-airtechnology.com sales@max-airtechnology.com