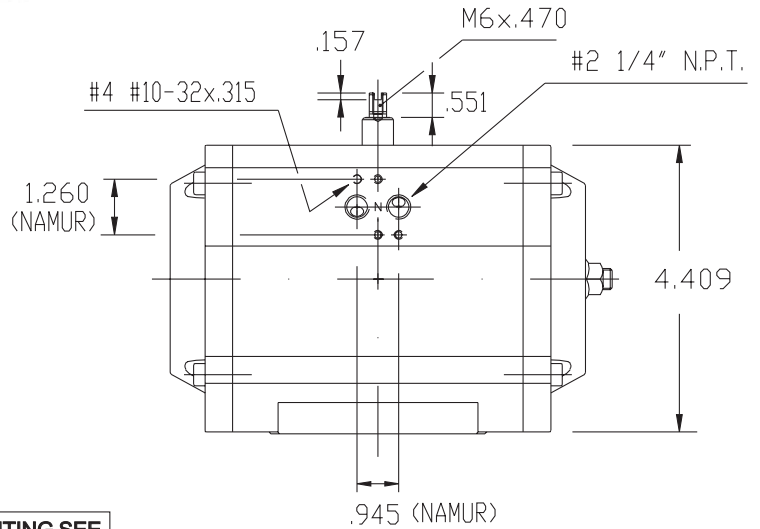
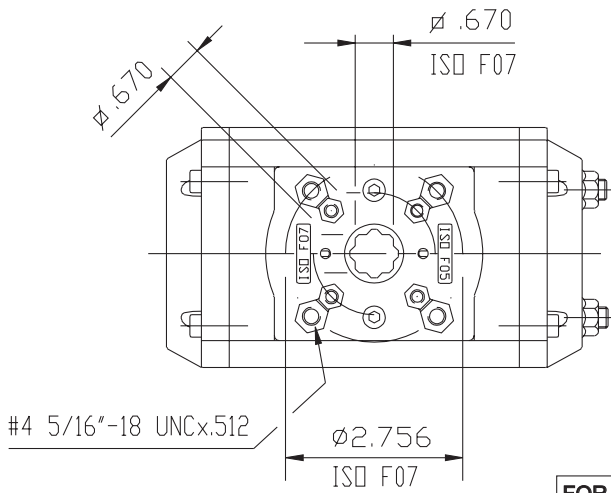


**UT-21**  
**TECHNICAL DATA**

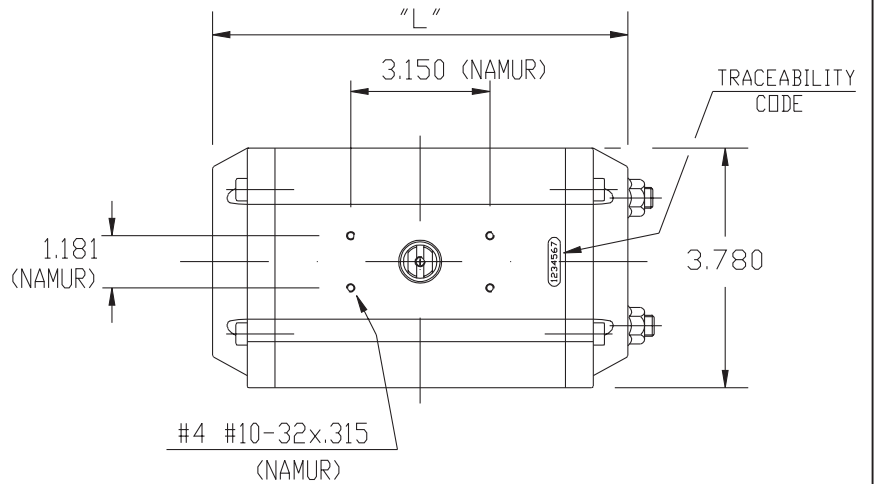
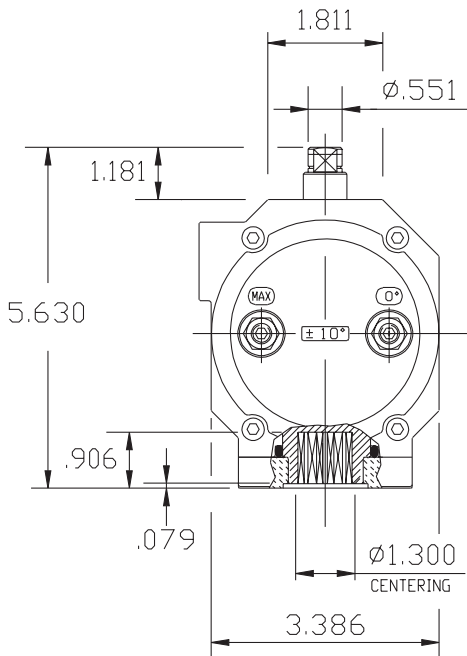


DIMENSIONS TO  
ISO 5211 - DIN 3337  
AND NAMUR VDI/VDE 3845

DIMENSIONS IN INCHES



FOR MOUNTING SEE  
TABLE "BOTTOM  
MOUNTING PLATE  
DIMENSIONS"



	90°	120°	135°	150°	180°
"L"	6.969	8.189	8.465	9.055	9.921

**WEIGHT**

STROKE	DOUBLE ACTING					SPRING RETURN 7+5 SPRING
	90°	120°	135°	150°	180°	90°
LB.	6.33	7.43	7.60	8.05	8.82	7.16

**AIR CONSUMPTION (FULL CYCLE)**

STROKE	DOUBLE ACTING					SPRING RETURN 7+5 SPRING
	90°	120°	135°	150°	180°	90°
CU.-IN.	44.4	56.9	59.4	64.4	73.7	18.1

**Max-Air** TECHNOLOGY INC.

751 Hoff Road - O'Fallon, Missouri 63366 U.S.A.  
www.max-airtechnology.com sales@max-airtechnology.com