

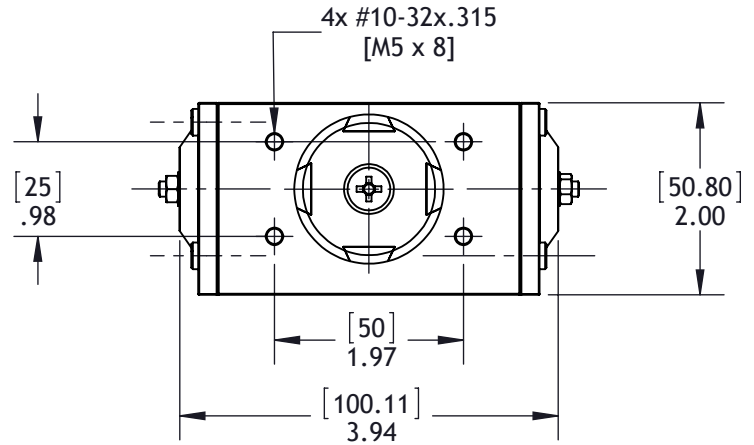
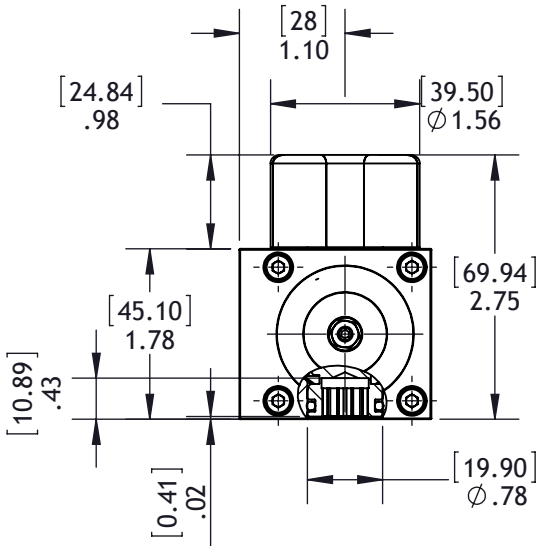
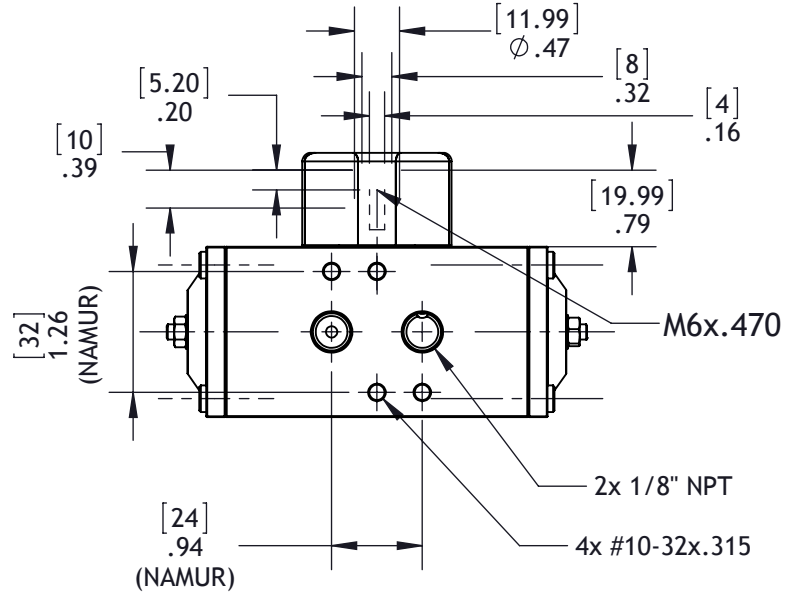
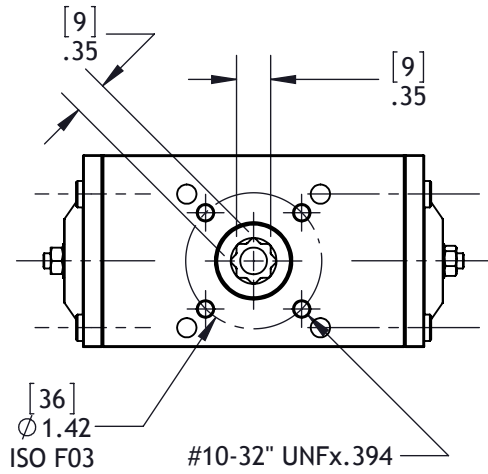
**MT04**  
TECHNICAL DATA



**MT03**  
DATI TECNICI

DIMENSIONS TO  
ISO 5211 - DIN 3337  
AND NAMUR VDI/VDE 3845

DIMENSIONS IN INCHES  
[MM]



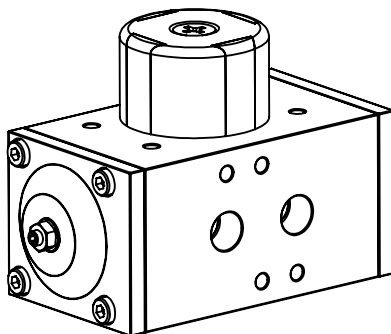
**DOPPIO EFFETTO**  
**DOUBLE ACTING**

100 kPa = 1 Bar

|         |         |         |         |         |         |         |         |         |         |          |
|---------|---------|---------|---------|---------|---------|---------|---------|---------|---------|----------|
| 100 kPa | 200 kPa | 300 kPa | 400 kPa | 500 kPa | 562 kPa | 600 kPa | 700 kPa | 800 kPa | 900 kPa | 1000 kPa |
| 1,31    | 2,67    | 4,0     | 5,34    | 6,67    | 7,5     | 8,04    | 9,38    | 10,72   | 12,06   | 13,4     |

**DOUBLE ACTING**

|         |         |         |          |          |
|---------|---------|---------|----------|----------|
| 40 PSIG | 60 PSIG | 80 PSIG | 100 PSIG | 120 PSIG |
| 33      | 49      | 65      | 82       | 98       |



|                           |       |
|---------------------------|-------|
| WEIGHT (LB)               | 1.058 |
| PESI (KG)                 | .48   |
| AIR CONSUMPTION (CU. IN.) | 4.03  |
| CONSUMI ARIA (N. Lt.)     | .07   |