



48 SERIES

Limit Switch Box

Technical Data

The Max-Air 48 Series Explosion Proof aluminum and stainless steel limit switch boxes are available for the highest level of safety in hazardous environments. Extremely reliable, robust, and time tested the 48 Series is an excellent solution for your position monitoring needs. Switch boxes available with mechanical, proximity and inductive switch types, and fully certified to North American and European standards.

Features and Benefits

- NEMA 4/4X/7/9 Corrosion Resistant
- Compact Design
- Quick Set Cams
- Easy Wiring Through PCB Terminal, 10pt.
- Single and Dual-Coil Solenoid Valve Options
- High Visibility Open/Close Beacon
- 3-Way T-Port & L-Port Beacon Options
- Inclusive 30x80x30 NAMUR Mounting Bracket
- Other Mounting Brackets Available
- Captive Cover Bolts

Materials of Construction

Enclosure	Die Cast Aluminum, Epoxy Coated AISI 316 Stainless Steel
Bracket	AISI 300 Series Stainless Steel
Indicator	Polycarbonate
Bearings	Brass
Fasteners	Stainless Steel
Seals	BUNA-N
Shaft	AISI 304 Stainless Steel (for Aluminum LSB) AISI 316 Stainless Steel (for SS LSB)
Cams	ABS
Switches	See Available Switch Options

Magnetic Switches

Magnetic Reed Hamlin
(Low Power, 5W Max)



Proximity Switches

IFM NS5002 EExia
(7.5-30 DC, NC;
Nominal 8.2 DC)

Optional

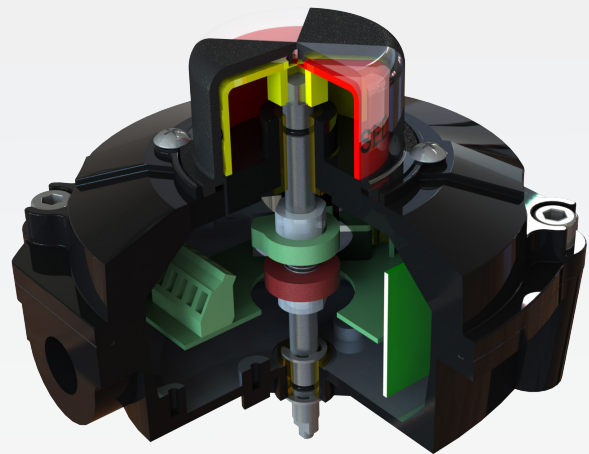
P&F NJ2-V3-N
Namur 2 Wire
(8.2V, NC, EExia Rated)

*Other Switch

Options Available
See Page 3



NEMA 4/4X/7/9 enclosure



Cutaway View

Mechanical Switches

Omron D3V11 or Cherry
D44 250VAC/DC
10A MAX (50/60 HZ)



Optional

Honeywell V7
250VAC/DC 0.1A MAX
(50/60 HZ)



**The Best Way to
Automate Your Process**

Technical Data Cont.

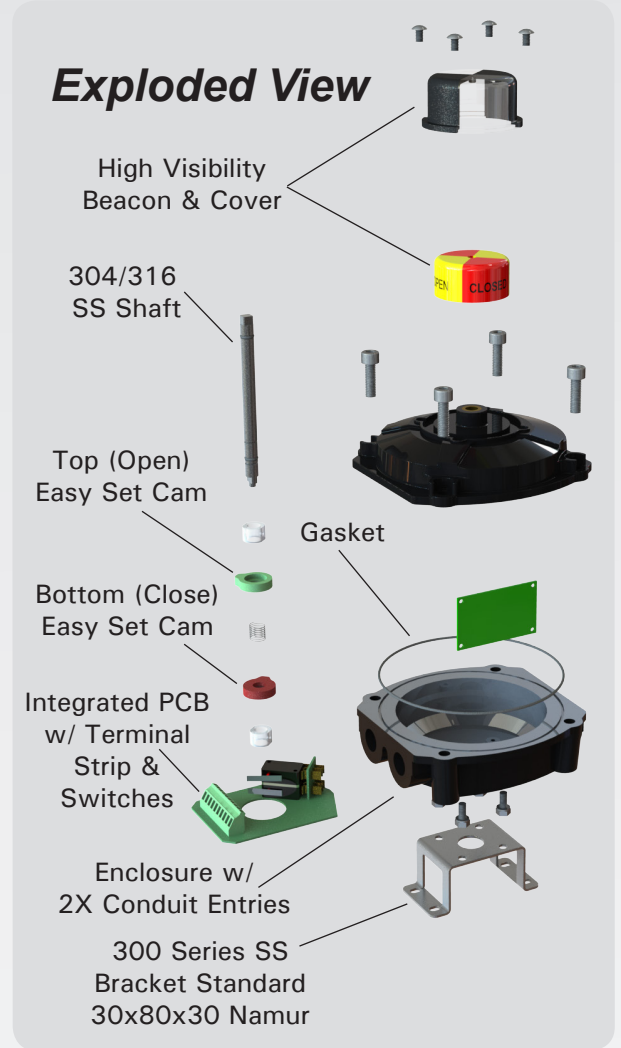
Certifications

- CE
- ATEX II 3 D
- ATEX II 2 G Ex d IIC T6 Gb
- ATEX II 2 D Ex t IIIC T*
- SIL-2 Rating
- Class I, Division 1, Groups C and D; Class II, Division 1, Groups E, F and G; Class III; Temp Code T4A
- Class I, Division 2, Groups A, B, C and D; Class II, Division 1, Groups E, F and G; Class III; Temperature Code T4A
- Ex d IIB T5 Gb; Ex tb IIIC T108°C Db
- Ex nA IIC T5 Gc; Ex tb IIIC T108°C Db
- Class I Zone 1, AExd IIB T5 Gb;
Class II, Zone 21 AEx tb IIIC T108°C Db
- Class I, Zone 2 AEx nA IIC T5Gc;
Class II, Zone 21, AEx tb IIIC T108°C Db

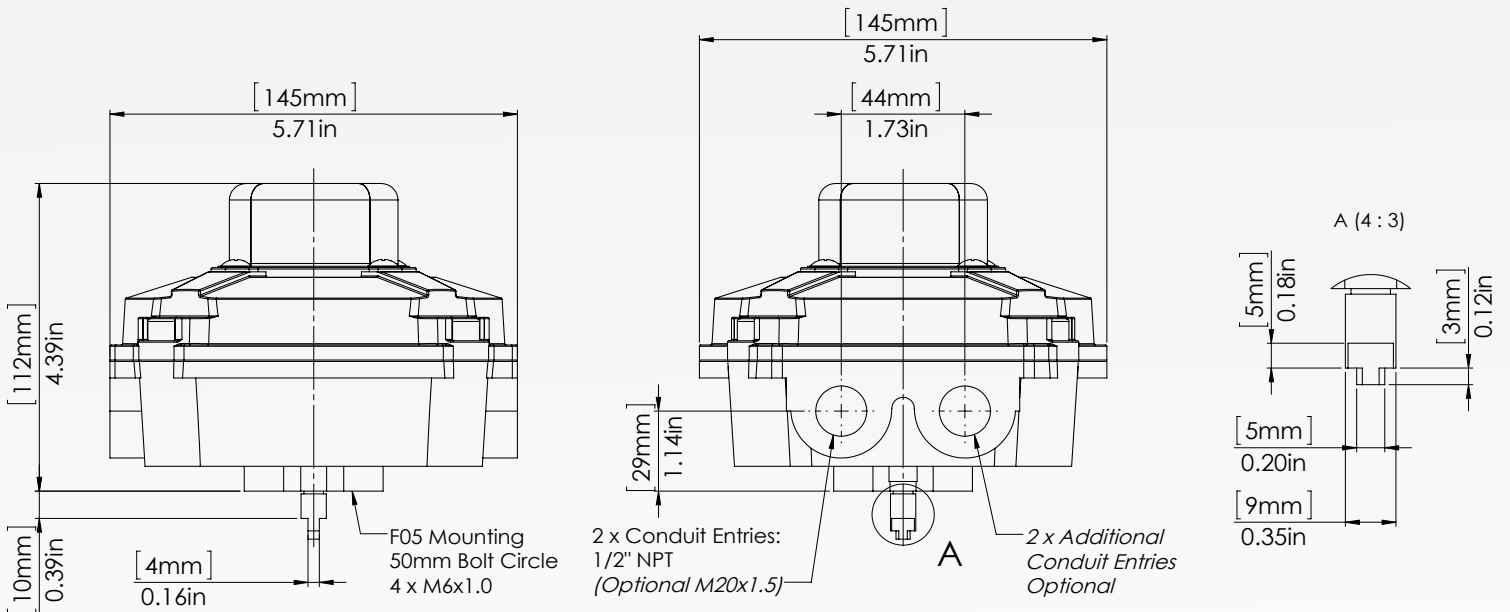
Specifications

IP67/NEMA4/4X/7/9 Protection Rating

Cable Entry	Standard 1/2" NPT (2 places) Optional M20x1.5 (2 places)
Temperature	-4°F to +140°F Standard (-20°C to +60°C)
Terminal Strip	10 Pt. Single Coil Solenoid Valve (7-8-7-8) 10 Pt. Dual Coil Solenoid Valve (7-8-7-9)
Weights	Aluminum 3.79 lbs (1.72 kg)
	Stainless 9.85 lbs (4.47 kg)



Dimensional Data



Product Ordering Matrix

Part No.

MS 48 - 1 2 0 M 0 3

MS	Mechanical
IS	Inductive Proximity
PS	Magnetic

Switch Type

48	NEMA 4/4X/7/9, IP67
-----------	---------------------

Series

1	1/2" NPT (2 Places)
2	M20 x 1.5 (2 Places)

Conduit Entries

2	Two (2) Switches
4	Four (4) Switches

Switch Quantity

0	STD, Open/Closed, Yellow/Red
2	Lport, 3way
3	Tport, 3way
4	Arrow, 3way

Indicator Type

M	Aluminum, black
7	Stainless Steel

Material & Color

Code	Ref	Switches & Sensors
0	MS	Omron D3V11 or Cherry D44 (250VAC/DC, 10A MAX, 50/60 HZ)
S	MS	Honeywell V7 (250VAC/DC, 0.1A MAX, 50/60 HZ)
M	PS	Magnetic Emme Reed (High Power, 100W Max, 300V, H.S.I.)
0	PS	Magnetic Reed Hamlin (Low Power, 5W Max)
A	IS	IFM NS5002 EExia (7.5-30 DC, NC; Nominal 8.2 DC)
B	IS	IFM IS5001 DC 3 Wire PNP Switch (10-36V, NO)
D	IS	IFM IS5026 DC 2 Wire PNP or NPN (5-36V, Programmable)
E	IS	IFM IS0003 AC/DC 2 Wire Inductive (20-140VAC/10-140VDC, NO)
F	IS	P&F NJ2-V3-N Namur 2 Wire (8.2V, NC, EExia Rated)
G	IS	P&F NBB2-V3-E2 DC 3 Wire PNP (10-30V, NO)
H	IS	P&F NBB3-V3-Z4 DC 2 Wire (5-60V, NO)
K	IS	P&F NBB2-V3-E3 DC 3 Wire PNP (10-30V, NC)
L	IS	P&F NBB2-V3-E0 DC 3 Wire NPN (10-30V, NO)
N	IS	P&F NCB2-V3-N0 Namur (8.2V, NC, EExia Rated)
P	IS	IFM IS5004 DC 3 Wire NPN (10-36V, NO)

Switches & Sensors

0	None
3	80x30 Namur 30 STD
6	Universal Bracket
A	MS-LSB-01 (30x80x20 Namur)
B	MS-LSB-02 (30x80x30 Namur)

Bracket

Blank	Standard 7-8-7-8 (Single Coil)
1	Circuit Board 7-8-7-9 (Dual Coil)
2	Circuit board 7-8-9-10

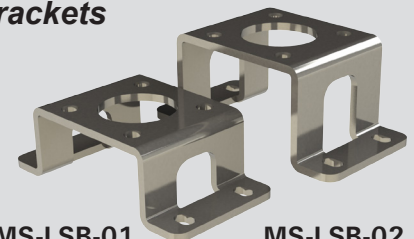
Special Options

Note:

All PS & IS model Switches rated for Class I, Division 1, Groups C&D and Class I, Division 2, Groups A, B, C & D. MS model switches only rated to Class I, Division 1, Groups C & D and Class I, Division 2, Groups C & D.

***Optional Heavy Duty SS Brackets**

Heavier gauge 300 series SS brackets available for demanding, high vibration applications. Standard Namur 20mm/30mm heights, and custom options also available



MS-LSB-01

MS-LSB-02



The Best Way To Automate Your Process

Crossover Guide

Max-Air	Westlock	Soldo	Moniteur	Topworx
MS48-120M03	2007NBY2B2M0200 2245ABYN00022FAN -	SX0120010U72A3 SK0120010U71A3 SY0120010U77A4	SMYB-E120	DXPM21GNEB
PS48-120M03	9479NBY2B2M0600 2249ABYN00022FAN -	SFC4200-10U07A3 SKC420010U71A3 SYC420010U77A4	SMYB-E220	DXPR21GNEB
IS48-120MF3	2247ABYN00022FAN	-	SMYBE820	DXPE21GNEB
IS48-120MG3	-	SX7320010U72A3 SK7320010U71A3 SY7320010U77A4	-	-
MS48-120703	2245SBYN00022FAN	SQ0120E10U71A7 SW0120E10U77A6	-	DXSM21GMEB
PS48-120703	2249SBYN00022FAN	SQC420E10U71A7 SWC420E10U77A6	-	DXSR21GMEB
IS48-1207F3	2247SBYN00022FAN	-	-	DXSE21GMEB
IS48-1207G3	-	SQ7320E10U71A7 SW7320E10U77A6	-	-

- Notes:
1. Max-Air 48 Series limit switch boxes come standard with Yellow/Red indicator
 2. Crossovers listed have standard Yellow/Black or Red/Green indicators
 3. Max-Air 48 Series limit switch boxes come standard with 2 x 1/2" NPT conduit entries
 4. Crossovers Westlock 2007 and 9479 Series only,
Moniteur and Topworx switch boxes have 2 x 3/4" NPT conduit entries

Your nearest Max-Air dealer can be found at:



NORTH AMERICA
Max-Air Technology, Inc.
751 Hoff Rd
O'Fallon, Missouri 63366
United States of America
Tel: +1.636.272.4934
Toll Free: 888.842.9998
Fax: 636.272.4937

EUROPE
Emme Technology, Srl.
Via Di Vittorio, 307/27
20099 Sesto San Giovanni
Milan, Italy
Tel: +39.02.2626.2174
Fax: +39.02.2622.0777

R09302015