

# Termination & Tubing Services

Teflon Infused Stainless Steel Mesh Surface Coating for Rack & Pinion Actuators

## An Innovative Solution for Corrosion Resistance

Max-Air Technology offers a simple and convenient way to minimize installation time by using our termination and tubing services. Why terminate wiring at two locations instead of one?

Max-Air can pre-wire and terminate solenoid valve coils into our limit switch boxes, providing a single access point for electricians to install field wiring. Termination can be ordered for a variety of normal or hazardous duty environments using the ordering codes below. Max-Air can also install tubing between actuators and positioners or other air handling devices. Tubing is available in nylon, Teflon, or stainless steel – see tubing ordering codes below. Let Max-Air do the work so you don't have to!



### Termination

*Part # Description*

T4X	Standard Nema 4/4x Prewired Termination of Solenoid to Limit Switch
T4C	Nema 4/4x Prewired Termination of Solenoid to Limit Switch w/conduit
T4L	NEMA 4/4X Termination, Liquid-Tight Conduit
TIS	Standard Intrinsically Safe Prewired Termination of Solenoid to Limit Switch
TIC	Intrinsically Safe Termination, Flexible Conduit
TIL	Intrinsically Safe Termination, Liquid-Tight Conduit
TNC	Explosion Proof Class 1, Div 2 Prewired Termination of Solenoid to Limit Switch, Flexible Conduit, Non-Sparking Switches Only
TNL	Explosion Proof Class 1 Div 2, Non-Sparking Switches Only, Liquid-Tight Conduit
TXS	Explosion Proof Class 1, Div 2 Prewired Termination of Solenoid to Limit Switch, w/ Seal-off, for Sparking Switches Only
TXN	Explosion Proof Class 1 Div 1, Nipple Mount Solenoid w/ SS Tubing Both Actuator Ports (Double Acting)

### Tubing

*Part # Description*

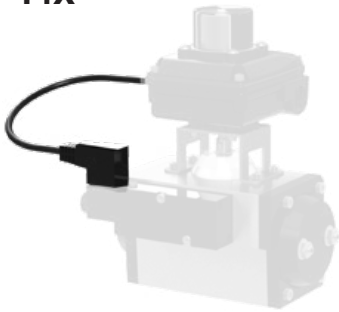
NYT	1/4" Flexible Nylon Tubing & Brass Fittings, Both Actuator Ports (Double Acting)
TFT	1/4" Flexible Teflon Tubing & Teflon Fittings, Both Actuator Ports (Double Acting)
SST	1/4" SS Hard Tubing & SS Fittings, Both Actuator Ports (Double Acting)
SST2	3/8" SS Hard Tubing & SS Fittings, Both Actuator Ports (Double Acting)
SST3	1/2" SS Hard Tubing & SS Fittings, Both Actuator Ports (Double Acting)
SST4	3/4" SS Hard Tubing & SS Fittings, Both Actuator Ports (Double Acting)
NXT	1/4" Flexible Nylon Tubing & Brass Fittings, Single Actuator Port Only (Spring Return)
TXT	1/4" Flexible Teflon Tubing & Teflon Fittings, Single Actuator Port Only (Spring Return)
SXT	1/4" SS Hard Tubing & SS Fittings, Single Actuator Port Only (Spring Return)
SXT2	3/8" SS Hard Tubing & SS Fittings, Single Actuator Port Only (Spring Return)
SXT3	1/2" SS Hard Tubing & SS Fittings, Single Actuator Port Only (Spring Return)
SXT4	3/4" SS Hard Tubing & SS Fittings, Single Actuator Port Only (Spring Return)

**CAUTION:** These are only general guidelines. Safe operation in hazardous conditions depends on the exact installation area, which may require additional precautions. Please consult an engineer to verify installation requirements.



## Termination Examples

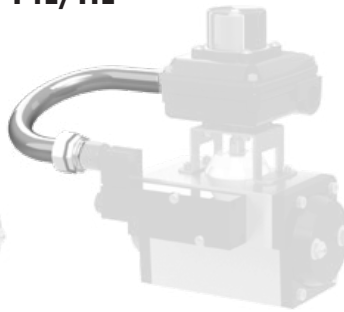
**T4X**



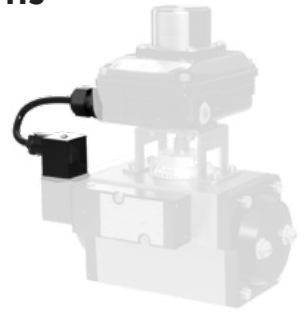
**T4C/TIC**



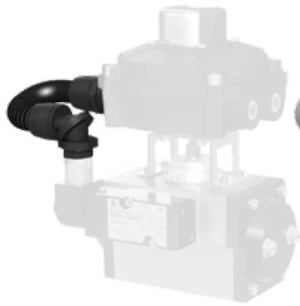
**T4L/TIL**



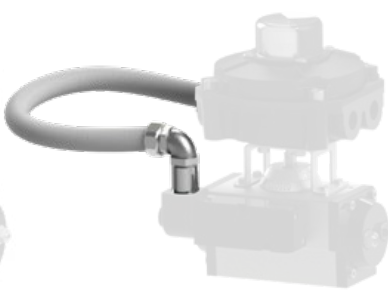
**TIS**



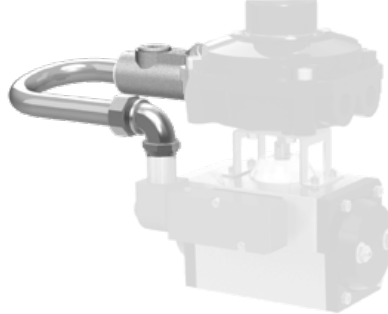
**TNC**



**TNL**



**TXS**



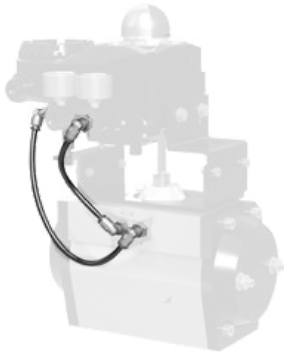
**TXN**



(Tubing NOT included, select tubing option separately)

## Tubing Examples

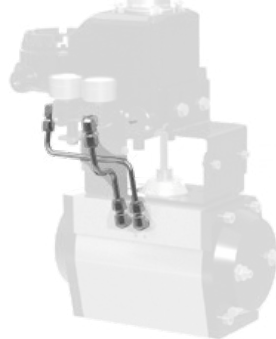
**NYT/TFT**



**NXT/TXT**



**SST**



**SXT**

