

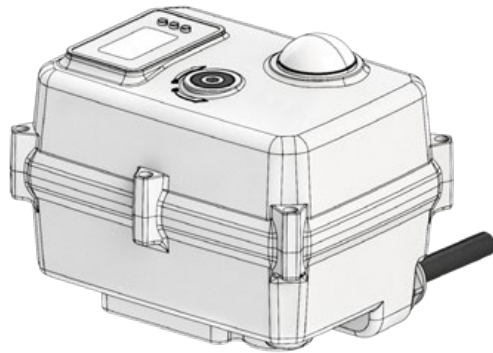
MA 08 A Series - Adv | Modulating

Overview, Specifications, Dimensional Data, Materials of Construction, Wiring Diagrams



Website

MA 08 A Series - Aluminum Advanced - Modulating Control



Overview

The MA 08 Advanced Series are quarter-turn electric industrial service actuators delivering up to 708"lbs torque in 24vac/vdc or 90~265vac models, and available in 2 position (Open/Close), Floating (Open/Close/Jog) or Modulating (4-20mA default or 2-10vdc) control schemes. The Advanced model eliminates the need to remove the cover to set travel stops, which are soft-set through the OLED Menu function. Other parameters are also accessible thru the same Menu program. Analog feedback and an internal anti-condensate heater are standard. Key features include:

- 24 volt models operate on AC or DC power supplies.
- 120vac & 230vac models operate on 50 or 60Hz supplies.
- 3D Raised Position Indicator
- 3m pre-wired field interface cable included
- A 5mm Manual override socket is top-mounted for ease of use.
- M14 nickel plated brass cable gland (x1)
- MAM08R available with high-speed function
- MAM08R available with electronic fail-safe function

Specifications

		MAM08R-A24AD-ADSFS	MAM08S-A24AD-ADSNF	
24V	Supply	Torque Output (in-lb / Nm)	530"lb / 60Nm	708"lb / 80Nm
		Power Consumption (Max/Run/Hold)	60W / 9.6W / 1.6W	60W / 9.6W / 1.6W
		Peak Current (@ Rated Voltage)	2.5A, 5ms @ 24VDC	2.5A, 5ms @ 24VDC
		Fuse Rating	7A	7A
		Speed (90°) DC-60Hz/50Hz, seconds	10s	10s
		Duty Cycle (IEC60034)	S3-85% @ ≤85% rated torque	S3-85% @ ≤85% rated torque
		Motor Power	60W	60W
		Motor Protection, Temp / Class	155°C / Class F	155°C / Class F
		Fail-Safe (EFS)	SuperCap	none
		Fail Direction on loss of power	CW - Fixed	N/A
Modulating Control - Max starts / hour	50	300		
Product Weight (lbs / kg)		6.60lbs / 3.00 kg	6.60lbs / 3.00 kg	

		MAM08R-A9265-ADSFS	MAM08S-A9265-ADSNF	
95~265VAC	Supply	Torque Output (in-lb / Nm)	530"lb / 60Nm	708"lb / 80Nm
		Power Consumption (Max/Run/Hold)	60W / 9.6W / 2.3W	60W / 9.6W / 2.3W
		Peak Current (@ Rated Voltage)	0.27A, 5ms @ 220VAC	0.27A, 5ms @ 220VAC
		Fuse Rating	5A	5A
		Speed (90°) DC-60Hz/50Hz, seconds	10s	10s
		Duty Cycle (IEC60034)	S3-85% @ ≤85% rated torque	S3-85% @ ≤85% rated torque
		Motor Power	60W	60W
		Motor Protection, Temp / Class	155°C / Class F	155°C / Class F
		Fail-Safe (EFS)	SuperCap	none
		Fail Direction on loss of power	CW - Fixed	N/A
Modulating Control - Max starts / hour	50	300		
Product Weight (lbs / kg)		6.60lbs / 3.00 kg	6.60lbs / 3.00 kg	

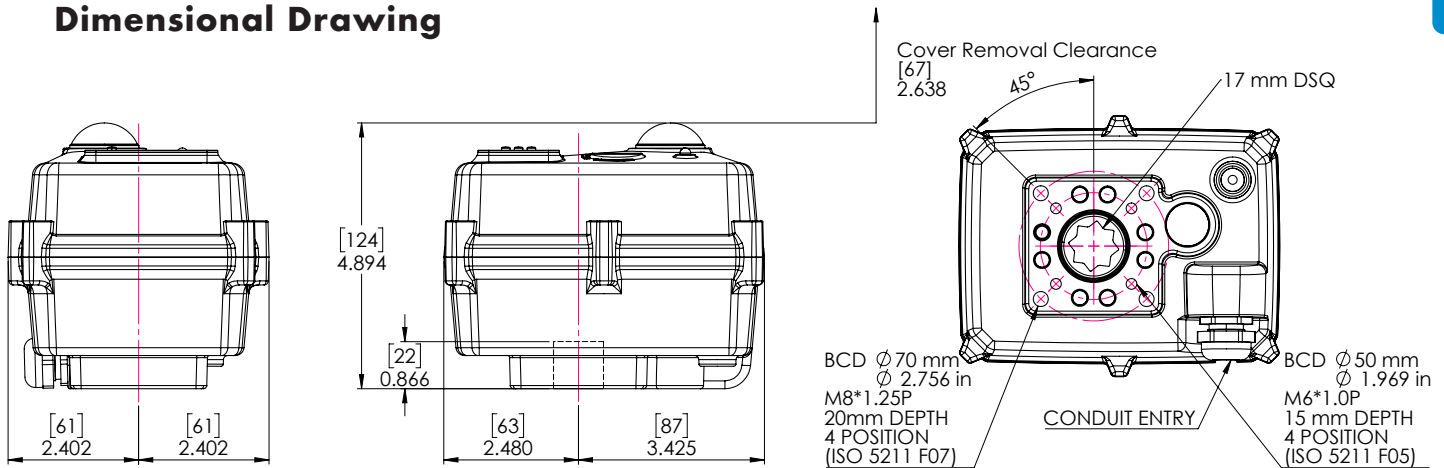
ALL	Control	4-20mA & 2-10vdc, Input/Feedback, Field Selectable
	Electrical Entry	M14 nickel-plated brass cable gland (x1)
	Auxiliary Switch - Type	None, Analog feedback is standard
	Auxiliary Switch - End of Travel	None
	End-of-Travel Adjustment	Programmable thru OLED Menu
	Manual Override	5mm hex key, stored in lower housing clip
	De-clutch mechanism	None required
	Environmental Rating	IP67 Indoor / Outdoor (requires sun/rain shield)
	Ambient Operating Range	5°F to +140°F / -15°C to +60°C
	Humidity Range	0-95% RH
Altitude Limit		9850 ft / 3000 m

MA 08 A Series - Adv | Modulating

Overview, Specifications, Dimensional Data, Materials of Construction, Wiring Diagrams

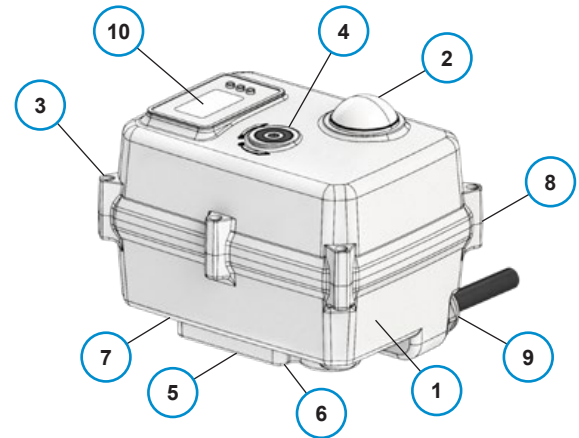


Dimensional Drawing



Materials of Construction

#	DESCRIPTION	MATERIALS
1	Actuator	Cast Aluminum
2	Indicator	Transparent AS
3	Cover Screw (x6)	A304
4	Override Port	A304
5	Output Socket	NP Hardened Steel
6	ISO Mount Profiles	Cast Aluminum
7	5mm Hex Key	Tool Steel
8	Cover Seal	NBR
9	Waterproof Cable Gland	Nickel Plated Brass
10	Program Console	OLED Display

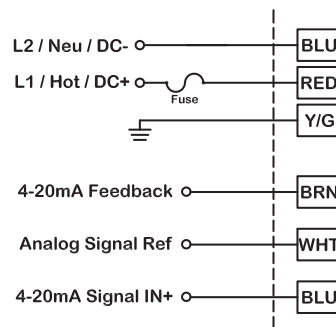


Wiring Diagrams

Typical wiring diagram shown.

Max-Air reserves the right to change specifications through a continuous-improvement program.

Contact Max-Air for product specific wiring diagrams prior to engineering or installation efforts.



MAM Fail-Safe / Non Fail-Safe VAC/VDC Modulating