

# SE A004 XH 3ph | Open/Close

Overview, Specifications, Dimensional Data, Materials of Construction, Wiring Diagrams



## SE A004 XH 3ph Series Open/Close



## Overview

The 3 phase SE A004 XH Series are spring return, quarter-turn electric industrial service actuators delivering up to 445 in-lbs torque in voltages ranging from 220/3 up through 460/3, and are available in 2 position (Open/Close) control schemes. (2) Form C auxiliary switches and an internal anti-condensate heater are standard. Key features include:

- 3 Phase models operate on 50 or 60 Hz supplies
- 3D Raised Position indicator
- ISO5211 compliant mounting with double-square drive socket
- Spring CW (standard) fail-safe positioning
- IP68 standard

### Options

- Handwheel manual override
- Spring CCW fail-safe positioning
- Low Voltage and single phase also available
- Local Control Stations

## Specifications

		SETA004 XH 3PH
Supply	Torque Output (in-lb / Nm)	445 in-lb / 50 Nm
	Starting Current (A) DC/60Hz/50Hz	- / 1.1 / 1.1
	Running Current (A) DC/60Hz/50Hz	- / 0.5 / 0.6
	Speed (90°) sec @ rated load - DC/60Hz/50Hz	- / 8 / 9
	Speed (90°) sec @ spring return	5
	Motor Power	50 Watts
	Duty Cycle	100% (EN 60034) Class A (ISO 22153)
220/3	Starting Current (A) DC/60Hz/50Hz	- / 0.7 / 0.7
	Running Current (A) DC/60Hz/50Hz	- / 0.3 / 0.4
	Speed (90°) sec @ rated load - DC/60Hz/50Hz	- / 8 / 9
	Speed (90°) sec @ spring return	5
	Motor Power	50 Watts
	Duty Cycle	100% (EN 60034) Class A (ISO 22153)
	380/3	Starting Current (A) DC/60Hz/50Hz
Running Current (A) DC/60Hz/50Hz		- / 0.2 / 0.3
Speed (90°) sec @ rated load - DC/60Hz/50Hz		- / 8 / 9
Speed (90°) sec @ spring return		5
Motor Power		50 Watts
Duty Cycle		100% (EN 60034) Class A (ISO 22153)
460/3		Environmental Rating
	Electrical Entry	3/4" EMT x 2
	Control	Open/Close
	Auxiliary Switch - End of Travel	(2) Form C Volt-Free, Rated 10A @ 250vac, 5A @ 30VDC
	Ambient Operating Range	-40°F ~149°F (-40°C~65°C)
	Humidity Range	0-95% RH
	Altitude Limit	9850 ft / 3000 m
Weight (kg / lbs)	27 kg / 60#	

\* Models weighing over 32 kg / 70lbs must be shipped by Truck

File Name: Max-Air\_DataSheet\_SE-A004-XH-3ph.pdf

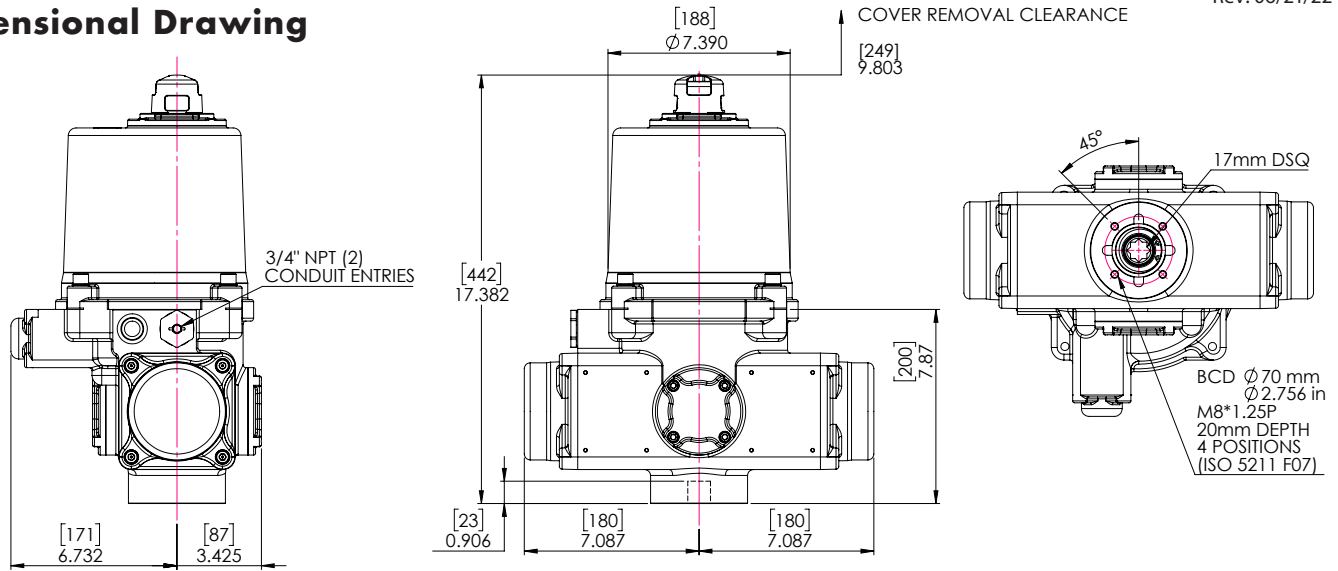
# SE A004 XH | Open/Close/Jog

Overview, Specifications, Dimensional Data, Materials of Construction, Wiring Diagrams



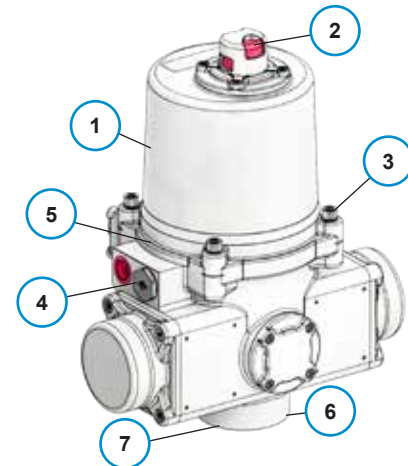
Website

## Dimensional Drawing



## Materials of Construction

#	DESCRIPTION	MATERIALS
1	Actuator	ADC3 Aluminum Alloy
2	Indicator	Transparent ABS
3	Cover Screw (x4)	SUS304
4	2nd EMT Port Seal	Polyamide
5	Cover Seal	NBR O-Ring
6	ISO Mount Profiles	ADC3 Aluminum Alloy
7	Output Socket	FDC60 Graphite Iron



## Wiring Diagrams

Typical wiring diagram shown.

Max-Air reserves the right to change specifications through a continuous-improvement program.

Contact Max-Air for product specific wiring diagrams prior to engineering or installation efforts.

Open/Close

