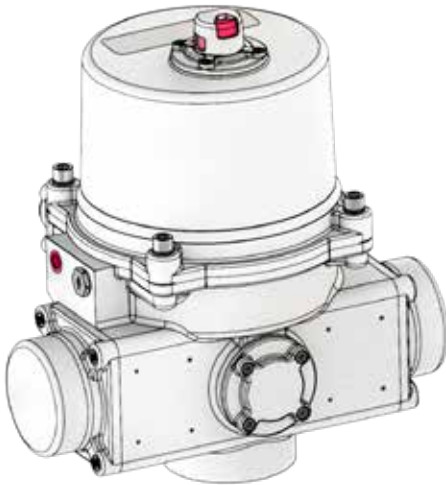


# SE D023 XH 3ph | Open/Close

Overview, Specifications, Dimensional Data, Materials of Construction, Wiring Diagrams



## SE D023 XH 3ph Series Open/Close



## Overview

The 3 phase SE D023 XH Series are spring return, quarter-turn electric industrial service actuators delivering up to 2300 in-lbs torque in voltages ranging from 220/3 up through 460/3, and are available in 2 position (Open/Close) control schemes. (2) Form C auxiliary switches and an internal anti-condensate heater are standard. Key features include:

- 3 Phase models operate on 50 or 60 Hz supplies
- 3D Raised Position indicator
- ISO5211 compliant mounting with double-square drive socket
- Spring CW (standard) fail-safe positioning
- IP68 standard

### Options

- Handwheel manual override
- Spring CCW fail-safe positioning
- Low Voltage and single phase also available
- Local Control Stations

## Specifications

		SETD023 XH 3PH
Supply	Torque Output (in-lb / Nm)	2300 in-lb / 260 Nm
220/3	Starting Current (A) DC/60Hz/50Hz	- / 2.1 / 2.1
	Running Current (A) DC/60Hz/50Hz	- / 0.8 / 0.9
	Speed (90°) sec @ rated load - DC/60Hz/50Hz	- / 17 / 20
	Speed (90°) sec @ spring return	14
	Motor Power	130 Watts
	Duty Cycle	"100% (EN 60034) Class A (ISO 22153)"
380/3	Starting Current (A) DC/60Hz/50Hz	- / 1.2 / 1.3
	Running Current (A) DC/60Hz/50Hz	- / 0.5 / 0.6
	Speed (90°) sec @ rated load - DC/60Hz/50Hz	- / 17 / 19
	Speed (90°) sec @ spring return	16
	Motor Power	130 Watts
	Duty Cycle	100% (EN 60034) Class A (ISO 22153)
460/3	Starting Current (A) DC/60Hz/50Hz	- / 1.4 / 1.5
	Running Current (A) DC/60Hz/50Hz	- / 0.6 / 0.7
	Speed (90°) sec @ rated load - DC/60Hz/50Hz	- / 16 / 19
	Speed (90°) sec @ spring return	16
	Motor Power	130 Watts
	Duty Cycle	100% (EN 60034) Class A (ISO 22153)
ALL	Environmental Rating	NEMA 4/4X & IP68
	Electrical Entry	3/4" EMT x 2
	Control	Open/Close
	Auxiliary Switch - End of Travel	(2) Form C Volt-Free, Rated 10A @ 250vac, 5A @ 30VDC
	Ambient Operating Range	-40°F ~149°F (-40°C~65°C)
	Humidity Range	0-95% RH
	Altitude Limit	9850 ft / 3000 m
	Weight (kg / lbs)	95 kg / 209#

\* Models weighing over 32 kg / 70lbs must be shipped by Truck

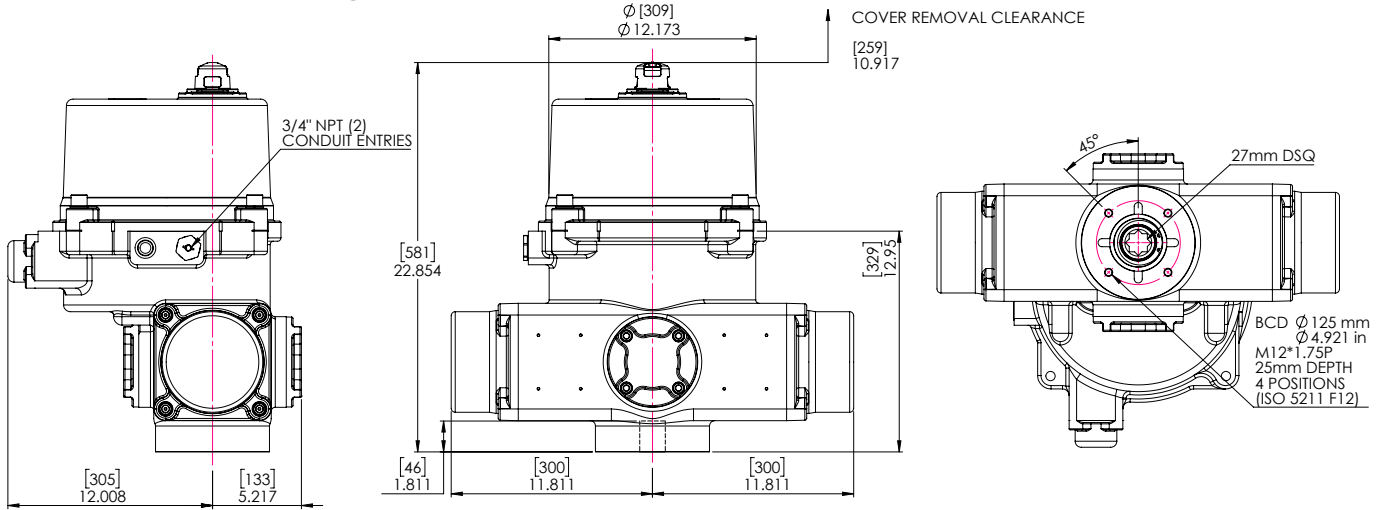
# SE D023 XH 3ph | Open/Close

Overview, Specifications, Dimensional Data, Materials of Construction, Wiring Diagrams



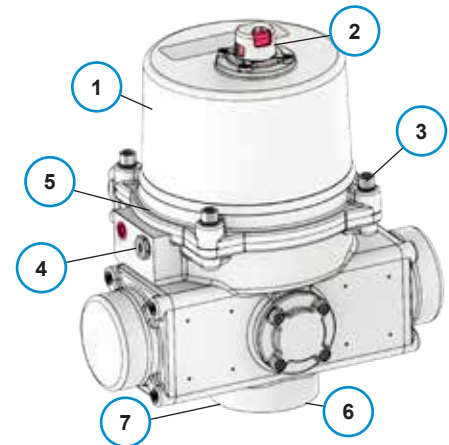
Website

## Dimensional Drawing



## Materials of Construction

#	DESCRIPTION	MATERIALS
1	Actuator	ADC3 Aluminum Alloy
2	Indicator	Transparent ABS
3	Cover Screw (x4)	SUS304
4	2nd EMT Port Seal	Polyamide
5	Cover Seal	NBR O-Ring
6	ISO Mount Profiles	ADC3 Aluminum Alloy
7	Output Socket	FDC60 Graphite Iron



## Wiring Diagrams

Typical wiring diagram shown.

Max-Air reserves the right to change specifications through a continuous-improvement program.

Contact Max-Air for product specific wiring diagrams prior to engineering or installation efforts.

Open/Close

