

SX B011 HW 3ph | Open/Close

Overview, Specifications, Dimensional Data, Materials of Construction, Wiring Diagrams

Rev: 06/21/22



Website

SX B011 HW 3ph Series Open/Close



Overview

The 3 phase SX B011 HW Series are spring return, quarter-turn electric industrial service actuators delivering up to 1150 in-lbs torque in voltages ranging from 220/3 up through 460/3, and are available in 2 position (Open/Close) control schemes. (2) Form C auxiliary switches and an internal anti-condensate heater are standard. Key features include:

- 3 Phase models operate on 50 or 60 Hz supplies
- Position indicator under glass
- ISO5211 compliant mounting with double-square drive socket
- Spring CW (standard) fail-safe positioning
- Clutch-free manual override handwheel
- IP68 standard

Options

- Spring CCW fail-safe positioning
- Low Voltage and Single phase supply

HAZARDOUS LOCATION RATING

Class I, Division 1, Groups C, D T4
 Class II, Division 1, Groups E, F & G T130°C
 Ex db IIB T4 Gb (for Canada)
 Class I, Zone 1, AEx db IIB T4 Gb (for US)
 Ex tb IIIC T130°C Db (for Canada)
 Zone 21, AEx tb IIIC T130°C Db (for US)
 Type 4X & IP68 (72h, 7m)
 (Zones 20, 21 or 22 not applicable in Canada)

Specifications

		SXTB011 HW 3PH
Supply	Torque Output (in-lb / Nm)	1150 in-lb / 130 Nm
220/3	Starting Current (A) 60Hz/50Hz	2.1 / 2.1
	Running Current (A) 60Hz/50Hz	0.8 / 0.9
	Speed (90°) sec @ rated load - 60Hz/50Hz	8 / 9
	Speed (90°) sec @ spring return	7
	Motor Power	130 Watts
	Duty Cycle	100% (EN 60034) Class A (ISO 22153)
380/3	Starting Current (A) 60Hz/50Hz	1.2 / 1.3
	Running Current (A) 60Hz/50Hz	0.5 / 0.5
	Speed (90°) sec @ rated load - 60Hz/50Hz	8 / 9
	Speed (90°) sec @ spring return	8
	Motor Power	130 Watts
	Duty Cycle	100% (EN 60034) Class A (ISO 22153)
460/3	Starting Current (A) 60Hz/50Hz	1.4 / 1.5
	Running Current (A) 60Hz/50Hz	0.5 / 0.6
	Speed (90°) sec @ rated load - 60Hz/50Hz	8 / 9
	Speed (90°) sec @ spring return	8
	Motor Power	130 Watts
	Duty Cycle	100% (EN 60034) Class A (ISO 22153)
ALL	Environmental Rating	NEMA 4/4X & IP68
	Electrical Entry	3/4" EMT x 2
	Control	Open/Close
	Auxiliary Switch - End of Travel	(2) Form C Volt-Free, Rated 10A @ 250vac, 5A @ 30VDC
	Ambient Operating Range	-40°F ~149°F (-40°C~65°C)
	Humidity Range	0-95% RH
	Altitude Limit	9850 ft / 3000 m
Weight (kg / lbs)	76 kg / 168#	

* Models weighing over 32 kg / 70lbs must be shipped by Truck

File Name: Max-Air_DataSheet_SX-B011-HW-3ph.pdf

SX B011 HW 3ph | Open/Close

Overview, Specifications, Dimensional Data, Materials of Construction, Wiring Diagrams

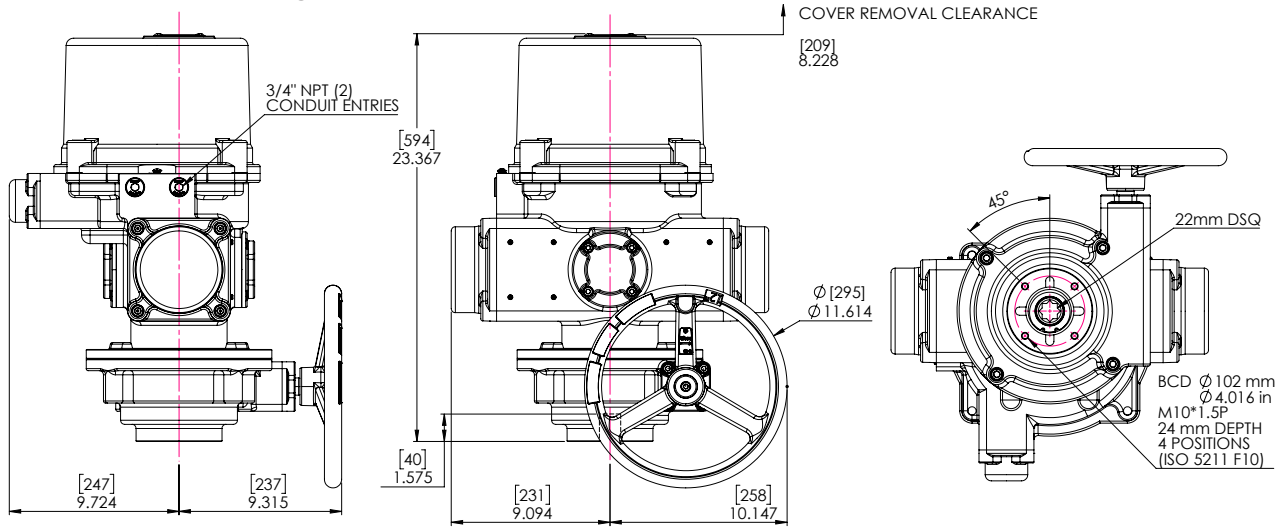


Rev: 06/21/22



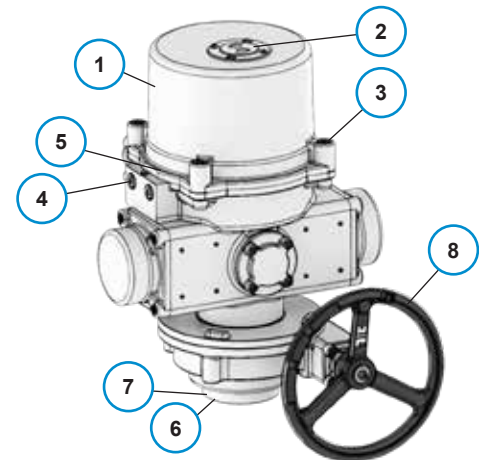
Website

Dimensional Drawing



Materials of Construction

#	DESCRIPTION	MATERIALS
1	Actuator	ADC12 Aluminum Alloy
2	Indicator	Soda Lime Glass
3	Cover Screw (x4)	A304
4	EMT Port Seals	Nickel plated Zinc
5	Cover Seal	NBR
6	ISO Mount Profiles	ADC12 Aluminum Alloy
7	Output Socket	Cast Iron, Hardened
8	Handwheel	Epoxy Coated Aluminum Alloy

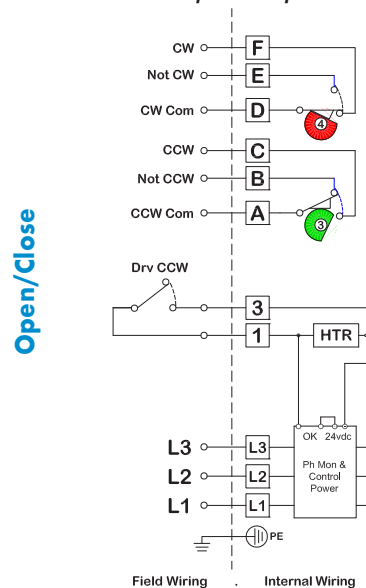


Wiring Diagrams

Typical wiring diagram shown.

Max-Air reserves the right to change specifications through a continuous-improvement program.

Contact Max-Air for product specific wiring diagrams prior to engineering or installation efforts.



File Name: Max-Air_DataSheet_SX-B011-HW-3ph.pdf

