

**VALVOLA A SFERA WAFER A 2 VIE PN16 IN A105 E AISI 316
A PASSAGGIO TOTALE
2 WAYS A105 AND AISI 316 WAFER BALL VALVE FULL BORE**



SERIES V70

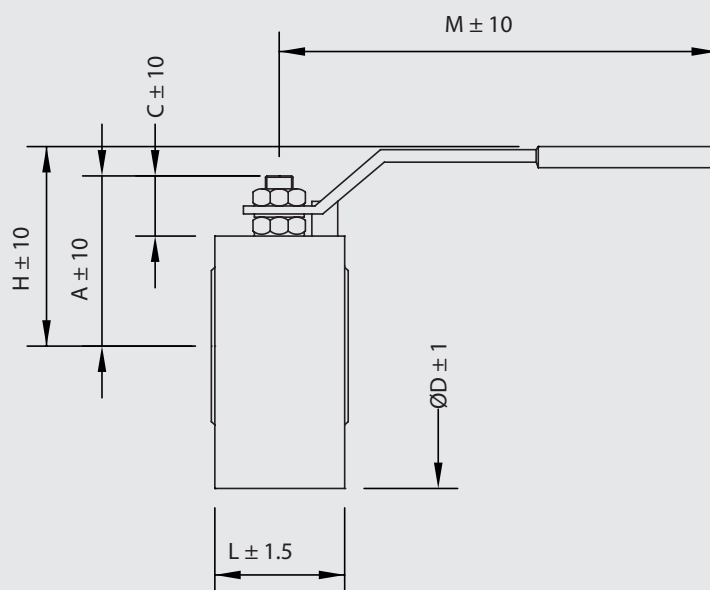


CARATTERISTICHE

1. Valvola a sfera WAFER a Passaggio Totale
2. Costruita in Acciaio al carbonio A105 o Inossidabile AISI 316
3. Attacchi DIN 2501 PN16 (a richiesta PN40 e ANSI 150#)
4. Sfera in AISI 304 (per la versione in acciaio al carbonio), in 316 (per la versione inox)
5. Stelo in AISI 316
6. Tenuta in PTFE
7. O Ring in NBR o VITON
8. Dispositivo antistatico a richiesta
9. Pressione Max di Utilizzo: 16 kg/cm²
10. Temperatura max di utilizzo: -20°C ÷ +180°C

FEATURES

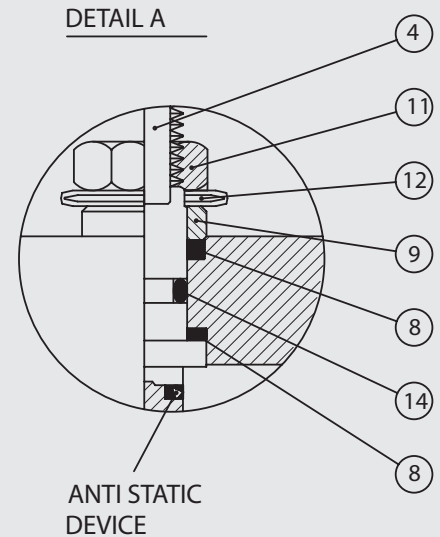
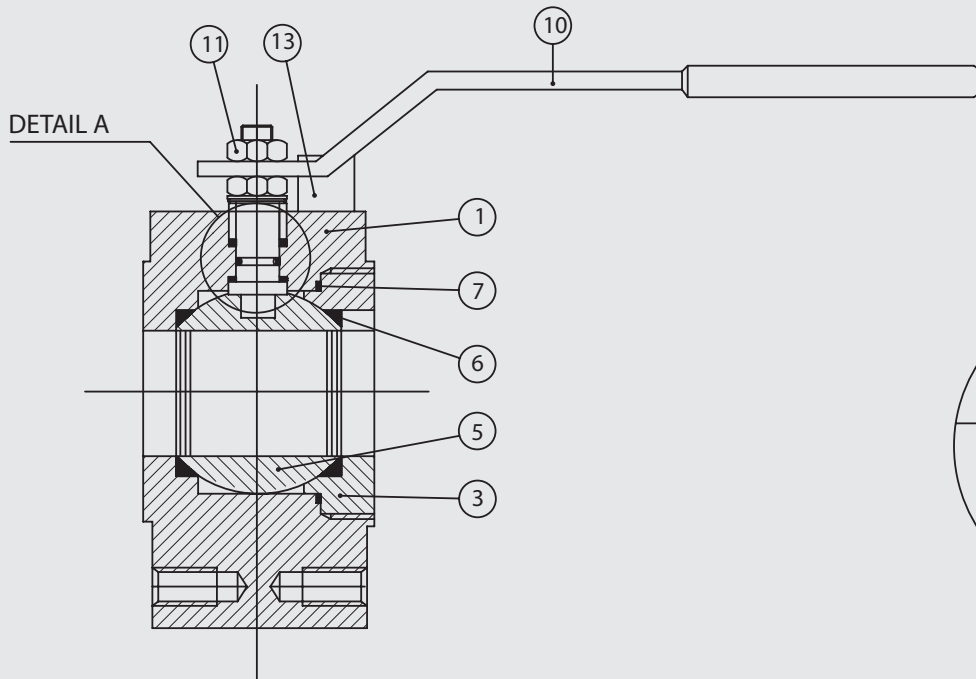
1. Full port ball valve, WAFER type
2. Made of carbon steel A105 or AISI 316 stainless steel
3. Connections according to DIN 2501 PN16 (PN40 or ANSI 150# on request)
4. Ball in AISI 304 (for carbon steel body) or in 316
5. Stem in AISI 316
6. PTFE Seat
7. NBR or VITON O Ring
8. Anti static device on request
9. Max working pressure: 16 kg/cm²
10. Working temp: -20°C ÷ +180°C



DIMENSIONI / DIMENSIONS

Part n°	Size	DN (mm)	PN (*)	C	L	H	M	A	ØD	Weight (Kg)
PV02-V70aA12	1/2"	15	PN16	19	35	78	150	50	88	1,5
PV02-V70aB34	3/4"	20	PN16	23	42	87	185	60	98	2
PV02-V70aC10	1"	25	PN16	23	46	91	185	65	108	2,7
PV02-V70aD13	1 1/4"	32	PN16	29	55	106	280	80	128	3,8
PV02-V70aE15	1 1/2"	40	PN16	30	66	111	280	90	138	6,5
PV02-V70aF20	2"	50	PN16	32	72	120	280	96	148	8
PV02-V70aG25	2 1/2"	65	PN16	53	98	157	380	132	168	15
PV02-V70aH30	3"	80	PN16	48	120	161	380	139	188	20
PV02-V70aL40	4"	100	PN16	55	140	181	480	160	220	30
PV02-V70aN50	5"	125	PN16	65	177	205	480	180	250	47
PV02-V70aP60	6"	150	PN16	68	210	220	480	200	280	69

To complete the code, replace "a" with P=(body in A105, ball in 304); X=(body and ball in 316)
(*) Also available for PN40 and ANSI 150# class. Ask our offices.



N°	Descrizione	Material	Item
1	Corpo	ASTM A 105 / SS 316	Body
2	Vite	Acciaio Zincato/Zinc Plated Steel	Bolt
3	Laterale	ASTM A 105 / SS 316	Body Cap
4	Stelo	Acciaio Inox AISI 316 Stainless steel	Stem
5	Sfera	Acciaio Inox AISI 304 Stainless steel Acciaio Inox AISI 316 Stainless steel	Ball
6	Seggio	PTFE	Seat
7	Guarnizione Corpo	RPTFE	Body Gasket
8	Guarnizione Stelo	RPTFE	Stem Gasket
9	Premibussola	Acciaio Inox - Stainless steel	Gland
10	Leva	Acciaio Zincato / Zinc Plated Steel	Handle
11	Dado leva e premibussola	Acciaio Zincato / Zinc Plated Steel	Lever and Gland Nut
12	Molle a tazza	Acciaio Zincato / Zinc Plated Steel	Socket Springs
13	Spina	Acciaio Zincato / Zinc Plated Steel	Stop Pin
14	O Ring Stelo	NBR/Viton	Stem O Ring

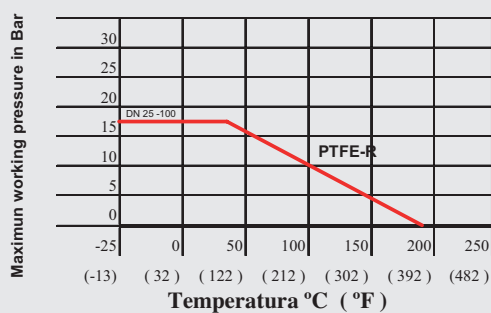
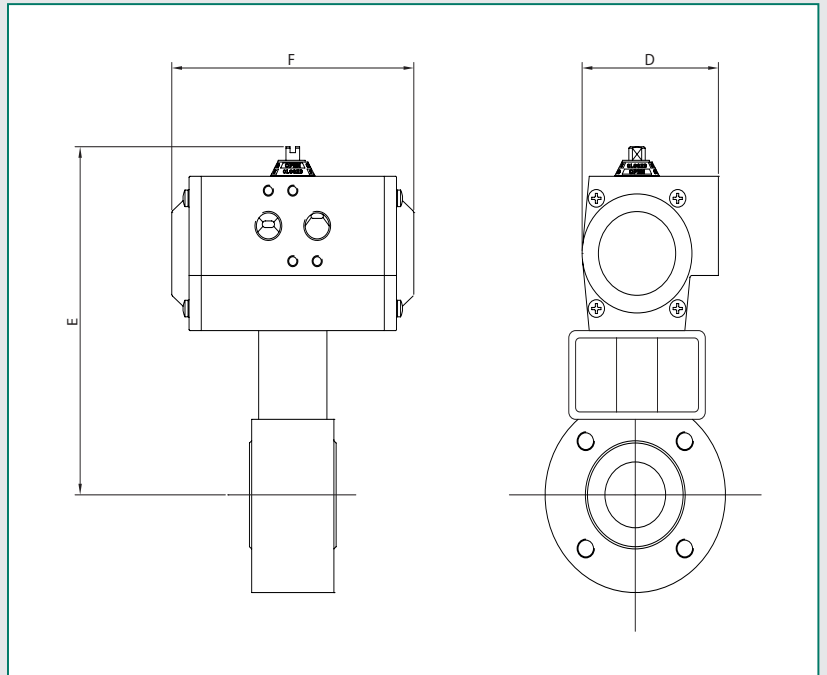


DIAGRAMMA PRESSIONE - TEMPERATURA
PRESSURE - TEMPERATURE CHART

**VALVOLA A SFERA WAFER A 2 VIE PN16 IN A105 E AISI 316
A PASSAGGIO TOTALE CON ATTUATORE PNEUMATICO
A SEMPLICE EFFETTO
2 WAYS A105 AND AISI 316 WAFER BALL VALVE FULL BORE
WITH SPRING RETURN PNEUMATIC ACTUATOR**



CARATTERISTICHE

- Attuatore Pneumatico a Doppio o Semplice Effetto avente le stesse dimensioni di ingombro
- Disponibile in Alluminio o in Acciaio Inox AISI 316
- Pressione di alimentazione: 2÷10 Bar
- Temperatura di esercizio: -20°C +80°C (per Alluminio e Inox disponibile anche per Alte e Basse temperature)

FEATURES

- Double Acting or Spring Return actuators with same compact dimensions
- Available in Aluminum or in Stainless Steel AISI 316
- Working Pressure: 2÷10 bar
- Working Temperature: -20°C +80°C (Aluminum and Stainless Steel units are also available in Low temp or High Temp configuration)

A RICHIESTA

- Elettrovalvole NAMUR
- Box Fine Corsa
- Posizionatori
- Riduttori Sganciabili
- Attuatori Elettrici

OPTIONAL

- NAMUR Solenoid Valves
- Limit Switch Boxes
- Positioners
- Declutchable Gear Boxes
- Electric Actuators

Gli attuatori sono dimensionati per applicazioni normali e pressione di alimentazione di almeno 5.62 Bar. Emme Technology Srl si riserva il diritto di cambiare o modificare le caratteristiche tecniche di prodotto senza preavviso e senza incorrere nell'obbligo di apporre tali modifiche sui prodotti precedentemente o successivamente venduti.

Actuators are sized for normal conditions based on supply air pressure of at least 5.62 Bar (80 PSI). Emme Technology Srl reserves the right to change or modify products without prior notice and without incurring any obligation to make such changes on products previously or subsequently sold.

Dimensioni con Attuatore in Alluminio a Doppio Effetto Dimensions with Double Acting Aluminum Actuator

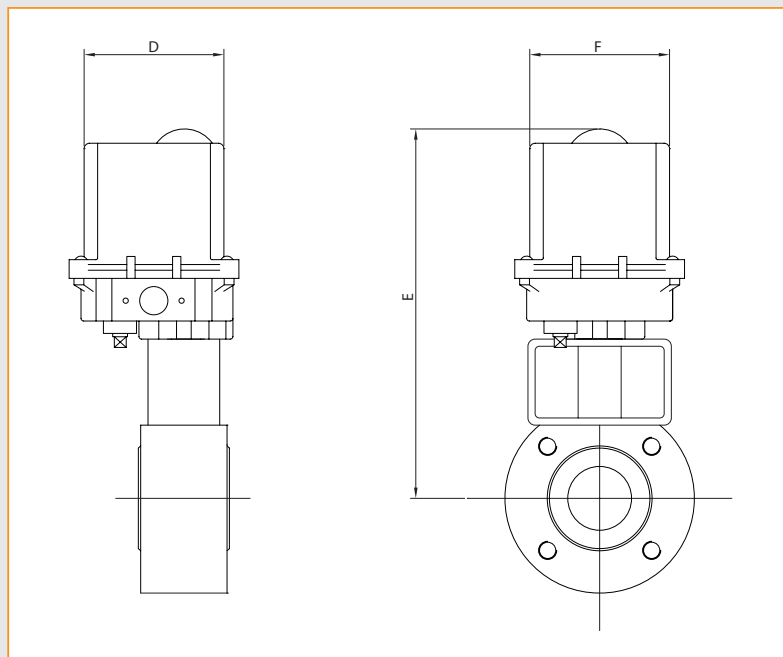
Part n°	Size	DN (mm)	PN	D	E	F
MT07DE-V70aA12	1/2"	15	PN16	70	202	178
MT07DE-V70aB34	3/4"	20	PN16	70	207	178
MT15DE-V70aC10	1"	25	PN16	81	225	175
MT20DE-V70aD13	1 1/4"	32	PN16	96	252	186
MT20DE-V70aE15	1 1/2"	40	PN16	96	257	186
MT20DE-V70aF20	2"	50	PN16	96	262	186
MT25DE-V70aG25	2 1/2"	65	PN16	96	272	248
MT35DE-V70aH30	3"	80	PN16	131	338	261
MT40DE-V70aL40	4"	100	PN16	131	374	305
MT45DE-V70aN50	5"	125	PN16	145	404	367
MT50DE-V70aP60	6"	150	PN16	181	452	381

Dimensioni con Attuatore in Alluminio a Semplice Effetto Dimensions with Spring Return Aluminum Actuator

Part n°	Size	DN (mm)	PN	D	E	F
MT07S4-V70aA12	1/2"	15	PN16	70	202	178
MT15S4-V70aB34	3/4"	20	PN16	81	220	175
MT20S4-V70aC10	1"	25	PN16	96	242	186
MT30S4-V70aD13	1 1/4"	32	PN16	114	271	241
MT30S4-V70aE15	1 1/2"	40	PN16	114	276	241
MT35S3-V70aF20	2"	50	PN16	131	318	261
MT40S5-V70aG25	2 1/2"	65	PN16	131	328	305
MT45S4-V70aH30	3"	80	PN16	145	353	367
MT50S4-V70aL40	4"	100	PN16	181	422	381
MT60S4-V70aN50	5"	125	PN16	230	492	467
MT65S4-V70aP60	6"	150	PN16	230	507	525

To complete the code, replace "a" with P=(body in A105, ball in 304); X=(body and ball in 316)
(* Also available for PN40 and ANSI 150# class. Ask our offices.

**VALVOLA A SFERA WAFER A 2 VIE PN16 IN A105 E AISI 316
A PASSAGGIO TOTALE CON ATTUATORE PNEUMATICO
2 WAYS A105 AND AISI 316 WAFER BALL VALVE FULL BORE
WITH ELECTRIC ACTUATOR**



CARATTERISTICHE

1. Design compatto
2. Base in alluminio verniciato ed ingranaggi in metallo
3. Grado di protezione IP67
4. Con manuale d'emergenza
5. 2 fine corsa standard
6. A richiesta con posizionatore
7. Temperatura di esercizio: -10°C +60°C

FEATURES

1. Compact Design
2. Epoxy coated die cast aluminum base and metal gears
3. Protection degree: IP67
4. With manual override
5. With n°2 switches as standard
6. On request: positioner
7. Working Temperature: -10°C +60°C

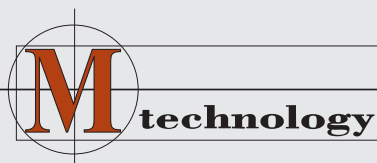
Dimensioni con Attuatore Elettrico / Dimensions with Electric Actuator

Part n°	Size	DN	PN (**)	D	E	F
AE01*-V70aA12	1/2"	15	16	120	253	127
AE01*-V70aB34	3/4"	20	16	120	258	127
AE01*-V70aC10	1"	25	16	120	263	127
AE03*-V70aD13	1 1/4"	32	16	168	324	157
AE03*-V70aE15	1 1/2"	40	16	168	329	157
AE03*-V70aF20	2"	50	16	168	334	157
AE03*-V70aG25	2 1/2"	65	16	168	344	157
AE03*-V70aH30	3"	80	16	168	354	157
AE04H*-V70aL40	4"	100	16	340	455	305
AE04H*-V70aN50	5"	125	16	340	470	305
AE06H*-V70aP60	6"	150	16	340	485	305

To complete the code, replace "a" with P=(body in A105, ball in 304); X=(body and ball in 316)

(*) Various voltages available

(**) Also available for PN40 and ANSI 150# class. Ask our offices.



Emme technology S.r.l.

Via Socrate, 10 - 20864 Agrate Brianza (MB) - Italy
Tel. (+39) 039 9020 000 - Fax (+39) 039 9020 001