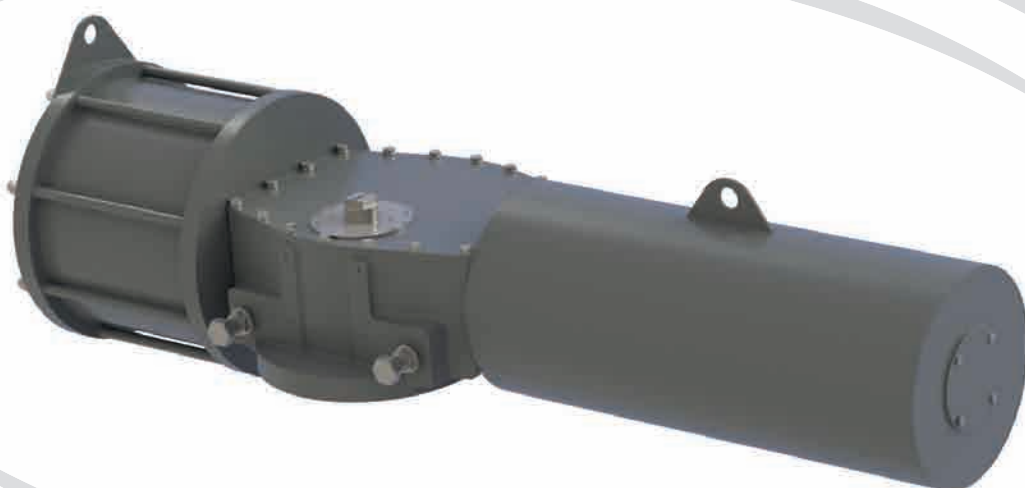




SCOTCH YOKE ACTUATORS

Attuatori pneumatici heavy duty
serie CHD e SHD

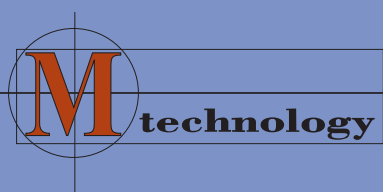
Heavy duty pneumatic actuators
CHD and SHD series



ATEX

GOST-R

Quality system:
ISO 9000



Emme technology S.r.l.

Le serie di attuatori a glifo SHD e CHD sono progettate e realizzate per automatizzare valvole (a sfera, farfalla, maschio e damper) o altro dispositivo quarto di giro anche per le applicazioni più gravose.

SHD and CHD heavy duty scotch yoke actuators are designed to perform in the most demanding applications. They are engineered to automate all types of quarter turn valves (ball, butterfly, plug and damper) with multiple torque profiles available in order to provide a "best fit" for every situation.

- **Design stagno** e protetto da ingressi di acqua rendendo le serie SHD e CHD idonee per applicazioni interne ed esterne.
- **Weather proof design** allows the SHD and CHD series to be suitable for installation both indoors and outside. They can be custom fitted for both high and low temperature applications by changing the seals and lubricants to suit the application.
- **Lubrificazione & Resistenza all'usura**
L'asta di guida e del pistone sono in acciaio cromato garantendo, in combinazione con pattini e boccole in materiale auto lubrificante, un'alta resistenza all'usura e lungo ciclo di vita.
- **Self-lubricating** and Wear resistance: Both the guide rod and piston rod are plated with hard chrome to provide a high level of wear resistance. All SHD and CHD series units are permanently lubricated with materials and lubricants appropriate for the service conditions. No maintenance is required in normal service.
- **Efficienza & Durata**
Il trattamento superficiale delle aste e il materiale auto lubrificante di pattini e boccole, garantiscono il massimo trasferimento di energia direttamente allo stelo della valvola; le molle precomprese minimizzano i carichi radiali sull'asta del pistone incrementando ulteriormente l'efficienza dell'attuatore e la sua durata.
- **Efficiency and High Cycle Bearings:** In addition to assembling these actuators with a long life grease, all bearings in high load areas have been constructed with dry lubricant materials which are impregnated into the load bearing surfaces. This enables the unit to transfer the maximum possible load through the unit to the valve stem resulting in an extremely efficient actuator. The pre-compressed spring pack minimizes transverse load on the piston rod thereby increasing the durability and service life of the actuator.
- **Resistenza alla Corrosione**
Ogni attuatore della serie SHD e CHD è verniciato nella versione standard con processo a 3 strati per una superiore resistenza alla corrosione.
- **Corrosion Resistance:** A three layer epoxy coating is applied to every SHD and CHD actuator in order to provide maximum protection against environmental corrosion.

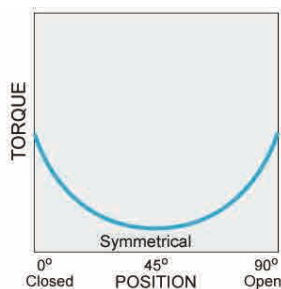
DESIGN DEL GLIFO E CURVA DELLE COPPIE • DESIGN OF THE YOKE AND TORQUE CURVE

La serie SHD è dotata di glifo con design SIMMETRICO che produce la coppia massima agli estremi della corsa (0° e 90°) e inferiore nel mezzo, rendendola la scelta ideale per valvole a sfera a tenuta metalliche, valvole a maschio e per applicazioni modulant.

Tipo Simmetrico
Symmetric Type



Attuatore Doppio Effetto
Double Acting Actuator



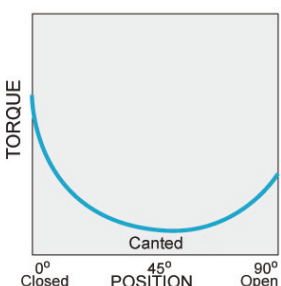
SHD series is equipped with SYMMETRICAL design yoke that produces maximum torques at both ends of the stroke (0° and 90°) and minimal in the middle, therefore this series is the optimal solution for metal seated ball valves, plug valves and for modulating service.

La serie CHD è dotata di glifo con design tipo CANTED che produce la coppia massima allo spunto (valve unseating) e alla fine della corsa (valve reseating), in linea con le coppie prodotte dalle valvole a farfalla.

Tipo Canted
Canted Type



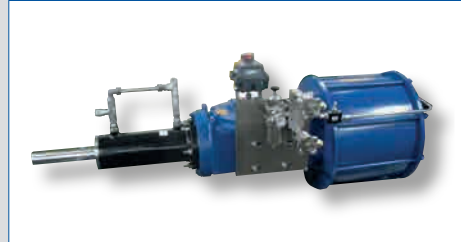
Attuatore Doppio Effetto
Double Acting Actuator



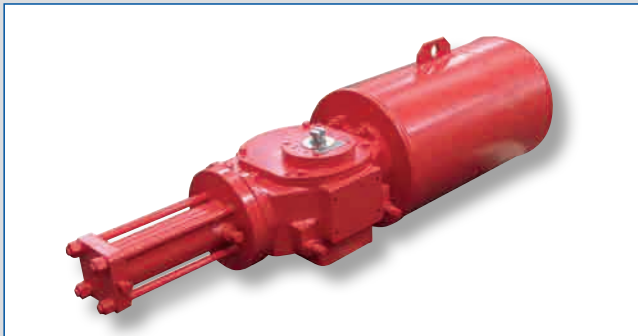
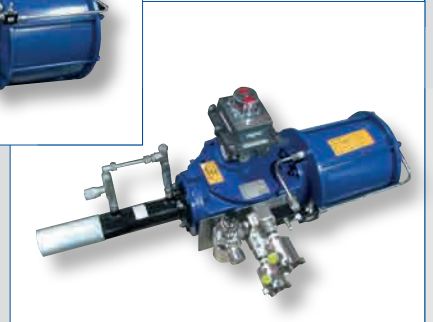
CHD series is equipped with CANTED design yoke that produces maximum torques at the beginning (valve unseating) and at the end of stroke (valve reseating), therefore this series is the optimal solution for butterfly valves.



Spring return SHD actuator equipped with a positioner for modulating service



Double acting CHD actuator with hydraulic damping system for damping of the valve closing stroke.



Hydraulic actuator

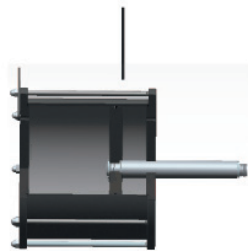


Manual Handwheel

Provides maximized operational flexibility in selection and combination of power cylinder ,body and spring pack depending on project requirement. Additional benefit would be less cost for maintenance and stocking of parts.



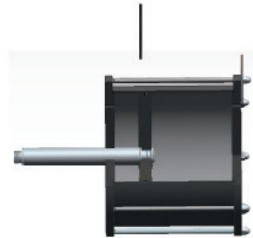
Manual Handwheel



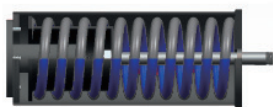
Hydraulic Cylinder



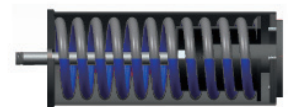
Center Body



Hydraulic Cylinder



Spring Cartridge



Spring Cartridge



Hydraulic Cylinder & Pump

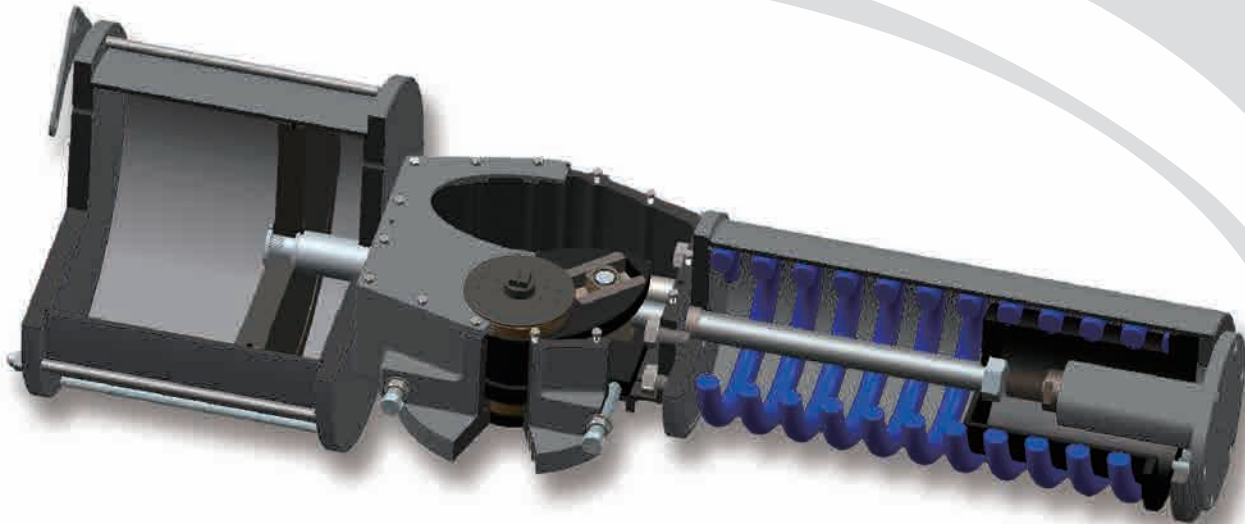


Symmetric Yoke

Canted Yoke

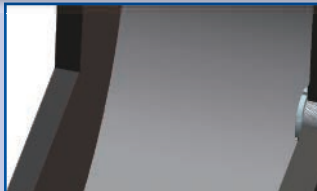


Hydraulic Cylinder & Pump



CILINDRO • CYLINDER

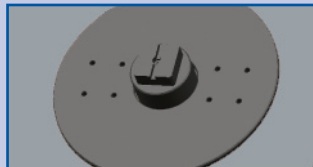
La superficie interna del cilindro ha una protezione in cromo che oltre a garantire un'eccellente resistenza alla corrosione è auto lubrificante per un migliore scorrimento e resistenza all'usura.



Cylinder: The internal wall of the cylinder is hard chrome plated in order to maximize wear and corrosion resistance.

ISO E NAMUR STANDARD • ISO AND NAMUR STANDARD

Le serie sono dotate di attacchi inferiori per collegamento alla valvola secondo ISO 5211, mentre l'uscita dello stelo e la foratura di fissaggio superiori secondo NAMUR, consentendo un semplice montaggio di accessori quali box fine corsa e posizionatori.



ISO and Namur Standard: Both series have a bottom interface in accordance with the ISO 5211 standard. This helps provide for easy valve to actuator connection. The top-works dimensions, both for shaft height and mounting pattern are according to NAMUR standards allowing for easy and standard accessory attachment.

BOCCOLA DI SCORRIMENTO • SLIDE BLOCK

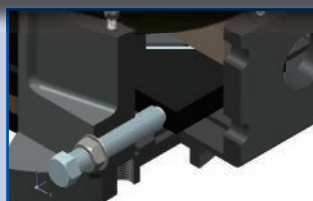
Grazie al suo design, garantisce una ampia superficie di contatto per una migliore distribuzione della forza, ed è dotata di pastiglie in teflon per un miglior scorrimento.



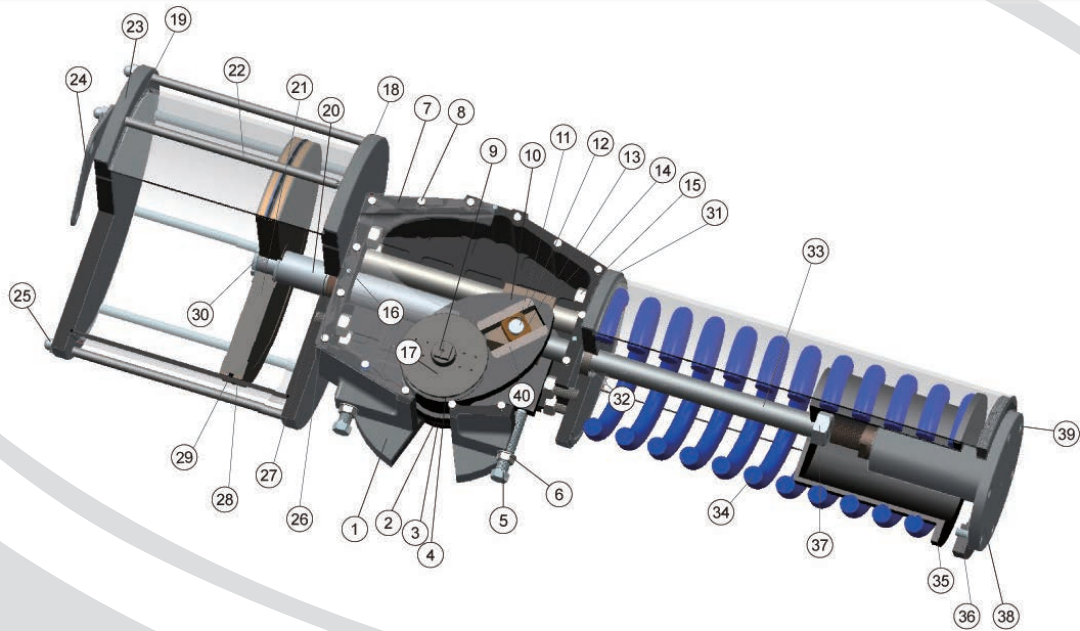
Slide block Technology: The slide block has a wide surface contact area, impregnated with PTFE, that assures lower contact forces and smoother operation and is designed to withstand higher forces through load distribution, thereby protecting process critical equipment.

DOPPIO REGISTRO • DOUBLE TRAVEL STOP

Tutti gli attuatori della serie SHD e CHD hanno di serie il doppio registro che consente regolazione sia in apertura che in chiusura di $\pm 6^\circ$.



Double travel stop: The SHD and SHD actuators are all provided with bi-directional travel stops to allow for open and closed position location adjustments of ± 6 degrees.

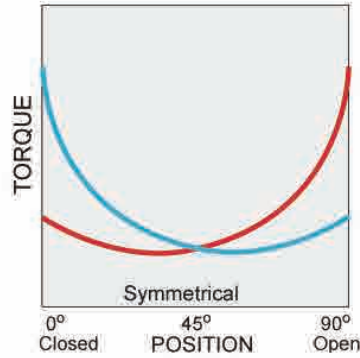
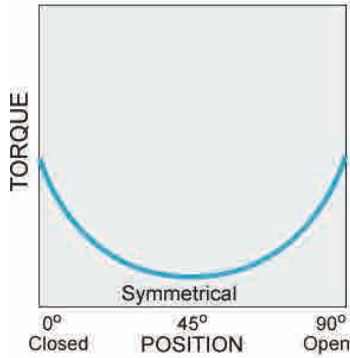


	DESCRIPTION	MATERIALS
1	Body	Ductile Iron
2	Lower Bushing	Low Carbon Steel
3	Bushing O-Ring	Nbr
4	Upper Bushing	Low Carbon Steel
5	Stopper Bolt	Alloy Steel
6	Stopper Unt	Alloy Steel
7	Body Cover	Alloy Steel
8	Body Cover Bolt	Alloy Steel
9	Position Indicator	Alloy Steel
10	Yoke	Alloy Steel
11	Snap Ring	Alloy Steel
12	Slide Pin	Alloy Steel
13	Sliding Block	High strength copper alloy, PTFE impregnated
14	Slide Block	Alloy Steel
15	Front Cover Bolt	Alloy Steel
16	Cover Fixed Pin	Alloy Steel
17	The Mounting Plate	Alloy Steel
18	Cylinder Front Cover	Alloy Steel
19	Cover O-Ring-O	Seals for High and Low temp available
20	Piston Rod	Alloy Steel
21	Piston	Alloy Steel
22	Tie Bolt	Alloy Steel
23	Cylinder End Cover	Alloy Steel
24	Lift Plate	Alloy Steel
25	Tie Bolt Nut	Alloy Steel
26	Front Cover Bushing	Alloy Steel
27	O-Ring	Seals for High and Low temp available
28	Back-Up Ring	Seals for High and Low temp available
29	Piston O-Ring	Seals for High and Low temp available
30	Piston Lock Bolt	Alloy Steel
31	Spring Case Front Cover	Alloy Steel
32	Spring Rod Guide Bushing	Alloy Steel
33	Spring Rod	Alloy Steel
34	Spring	Alloy Steel
35	Spring Retainer	Alloy Steel
36	Spring Case End Cover	Alloy Steel
37	Spring Rod Lock Nut	Alloy Steel
38	Hydraulic Cylinder	Alloy Steel
39	Cover Bolt	Alloy Steel
40	Orbital Module	Ductile Cast Iron

GLIFO SIMMETRICO
SYMMETRIC DESIGN

Attuatore Doppio Effetto
Double Acting Actuator

Attuatore Semplice Effetto
Spring Return Actuator



Torque Curve — Air Torque (blue line) — Spring Torque (red line)

DOPPIO EFFETTO • DOUBLE ACTING

Valori in Nm / Values in Nm

MODEL	4.0 bar			5.0 bar			6.0 bar			8.0 bar		
	0°	R	90°	0°	R	90°	0°	R	90°	0°	R	90°
SHD16-020000	1542	907	1464	1927	1134	1830	2312	1360	2195	3083	1814	2929
SHD16-025000	2409	1417	2331	3011	1771	2913	3613	2125	3496	4818	2834	4661
SHD16-030000	3469	2040	3391	4336	2550	4238	5203	3061	5086	6937	4081	6781
SHD16-035000	4721	2777	4643	5901	3471	5804	7082	4166	6965	9442	5554	9286
SHD25-035000	5901	3471	5728	7377	4339	7160	8852	5207	8592	11803	6943	11456
SHD25-038000	6957	4092	6783	8696	5115	8479	10435	6138	10175	13913	8184	13566
SHD25-043000	8908	5240	8734	11135	6550	10918	13361	7860	13101	17815	10480	17468
SHD30-043000	11064	6508	10771	13830	8135	13464	16596	9763	16157	22128	13017	21542
SHD30-048000	13787	8110	13494	17234	10137	16867	20680	12165	20241	27574	16220	26987
SHD30-053000	16809	9888	16516	21011	12359	20644	25213	14831	24773	33618	19775	33031
SHD35-053000	20655	12150	20295	25819	15187	25368	30982	18225	30442	41310	24300	40589
SHD35-058000	24736	14550	24376	30920	18188	30469	37104	21826	36563	49472	29101	48751
SHD35-063000	29184	17167	28824	36481	21459	36030	43777	25751	43236	58369	34335	57648
SHD40-063000	36631	21548	35884	45789	26935	44855	54947	32322	53826	73263	43096	71768
SHD40-068000	42677	25104	41929	53346	31380	52411	64015	37656	62894	85354	50208	83858
SHD40-073000	49183	28931	48436	61479	36164	60545	73775	43397	72654	98367	57863	96872
SHD48-068000	56277	33104	55060	70346	41380	68825	84416	49656	82590	112554	66208	110120
SHD48-073000	64857	38151	63640	81072	47689	79550	97286	57227	95460	129715	76303	127281
SHD48-080000	77892	45819	76675	97365	57274	95844	116838	68728	115013	155784	91638	153350
SHD60-080000	103856	61092	101519	129820	76365	126899	155784	91638	152279	207712	122184	203039
SHD60-090000	131443	77319	129106	164304	96649	161383	197164	115979	193659	262886	154639	258212
SHD60-100000	162275	95456	159938	202844	119320	199923	243413	143184	239908	324550	190912	319877

COPPIE PER GLIFO SIMMETRICO • SYMMETRIC TORQUE VALUES

SEMPLICE EFFETTO • SPRING RETURN

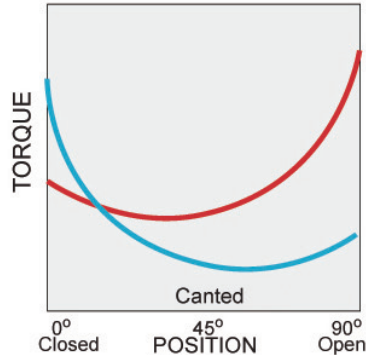
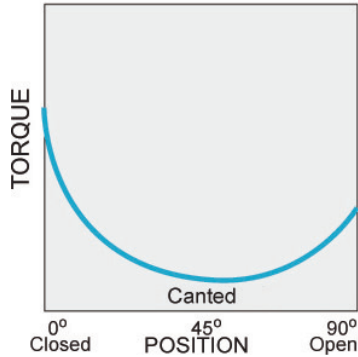
Valori in Nm / Values in Nm

MODEL		Spring torque			Air pressure											
					4.0 bar			5.0 bar			6.0 bar			8.0 bar		
		0°	R	90°	0°	R	90°	0°	R	90°	0°	R	90°	0°	R	90°
SHD16-020*01	A	607	476	1012	857	431	452	1222	657	818	1588	884	1184			
	B	752	589	1253				1078	544	577	1444	771	943	2176	1224	1675
SHD16-025*01	A	948	744	1581	1382	673	750	1965	1027	1333	2548	1382	1915			
	B	1174	921	1957				1739	850	956	2322	1204	1539	3487	1913	2704
SHD16-030*01	A	1366	1071	2276	2025	969	1114	2872	1479	1962	3720	1989	2810			
	B	1691	1326	2818				2547	1224	1420	3395	1734	2268	5090	2755	3963
SHD16-035*01	A	1859	1458	3098	2784	1319	1545	3945	2013	2706	5106	2708	3866			
	B	2302	1805	3836				3502	1666	1968	4663	2361	3129	6985	3749	5450
SHD25-035*01	A	2324	1823	3873	3404	1649	1855	4836	2517	3287	6268	3385	4719			
	B	2877	2256	4795				4283	2083	2365	5715	2951	3797	8579	4686	6661
SHD25-038*01	A	2739	2148	4565	4044	1944	2218	5740	2967	3914	7436	3990	5609			
	B	3391	2660	5652				5088	2455	2827	6783	3478	4522	10175	5524	7914
SHD25-043*01	A	3507	2751	5846	5227	2489	2889	7410	3799	5072	9594	5109	7256			
	B	4342	3406	7237				6575	3144	3680	8759	4454	5864	13126	7074	10231
SHD30-043*01	A	4357	3417	7261	6414	3091	3510	9107	4719	6203	11800	6346	8896			
	B	5394	4230	8990				8070	3905	4474	10763	5532	7167	16148	8786	12552
SHD30-048*01	A	5429	4258	9048	8065	3852	4446	11439	5880	7819	14812	7907	11193			
	B	6721	5271	11202				10146	4866	5665	13519	6893	9039	20266	10948	15786
SHD30-053*01	A	6618	5191	11031	9897	4697	5485	14026	7168	9614	18155	9640	13743			
	B	8194	6427	13657				12450	5933	6987	16579	8404	11116	24837	13348	19374
SHD35-053*01	A	8133	6379	13555	12162	5771	6740	17235	8809	11813	22309	11846	16887			
	B	10069	7897	16782				15299	7290	8586	20373	10327	13660	30520	16402	23807
SHD35-058*01	A	9740	7639	16233	14636	6911	8143	20730	10549	14237	26824	14187	20330			
	B	12059	9458	20098				18411	8730	10372	24505	12368	16465	36692	19643	28653
SHD35-063*01	A	11491	9013	19152	17333	8154	9672	24539	12446	16878	31745	16738	24084			
	B	14227	11159	23712				21803	10300	12318	29009	14592	19524	43421	23176	33936
SHD40-063*01	A	14424	11313	24039	21460	10235	11844	30431	15622	20815	39402	21009	29786			
	B	17858	14006	29763				26997	12929	15092	35968	18316	24063	53910	29090	42005
SHD40-068*01	A	16804	13180	28007	25125	11924	13923	35607	18200	24405	46090	24476	34887			
	B	20805	16318	34675				31607	15062	17737	42089	21338	28219	63053	33890	49183
SHD40-073*01	A	19366	15189	32277	29070	13742	16159	41179	20975	28268	53288	28208	40377			
	B	23977	18805	39962				36568	17359	20583	48677	24592	32692	72895	39057	56910
SHD48-068*01	A	22159	17380	36932	32901	15724	18128	46666	24001	31893	60431	32277	45658			
	B	27435	21518	45725				41390	19862	23100	55155	28139	36865	82685	44691	64395
SHD48-073*01	A	25538	20029	42563	38103	18122	21078	54013	27660	36988	69923	37198	52898			
	B	31618	24798	52697				47932	22891	26854	63842	32429	42764	95663	51504	74584
SHD48-080*01	A	30670	24055	51117	46005	21764	25558	65174	33219	44727	84343	44673	63896			
	B	37972	29782	63287				57871	27491	32556	77040	38946	51725	115378	61855	90063
SHD60-080*01	A	40893	32073	68156	60999	29019	33737	86472	44292	59210	111946	59565	84683			
	B	50630	39710	84383				76736	36655	42983	102209	51928	68456	153155	82474	119402
SHD60-090*01	A	51756	40593	86259	77724	36727	43220	110094	56057	75590	142463	75386	107960			
	B	64078	50258	106797				97771	46392	55052	130141	65721	87422	194880	104381	152161
SHD60-100*01	A	63896	50114	106493	96416	45342	53819	136494	69206	93896	176572	93070	133974			
	B	79109	62046	131849				121280	57274	68541	161358	81138	108619	241514	128866	188775

GLIFO CANTED CANTED DESIGN

Attuatore Doppio Effetto
Double Acting Actuator

Attuatore Semplice Effetto
Spring Return Actuator



Torque Curve — Air Torque
— Sprina Torque

DOPPIO EFFETTO • DOUBLE ACTING

Valori in Nm / Values in Nm

MODEL	4.0 bar			5.0 bar			6.0 bar			8.0 bar		
	0°	R	90°	0°	R	90°	0°	R	90°	0°	R	90°
CHD16-020000	1928	907	1318	2409	1134	1647	2890	1360	1976	3854	1814	2636
CHD16-025000	3011	1417	2098	3764	1771	2622	4516	2125	3146	6022	2834	4195
CHD16-030000	4336	2040	3052	5420	2550	3814	6504	3061	4577	8672	4081	6103
CHD16-035000	5901	2777	4179	7377	3471	5224	8852	4166	6268	11803	5554	8358
CHD25-035000	7377	3471	5155	9221	4339	6444	11065	5207	7733	14754	6943	10311
CHD25-038000	8696	4092	6105	10870	5115	7631	13044	6138	9157	17391	8184	12210
CHD25-043000	11135	5240	7861	13918	6550	9826	16702	7860	11791	22269	10480	15722
CHD30-043000	13830	6508	9694	17288	8135	12117	20745	9763	14541	27661	13017	19388
CHD30-048000	17234	8110	12144	21542	10137	15180	25850	12165	18216	34467	16220	24289
CHD30-053000	21011	9888	14864	26264	12359	18580	31516	14831	22296	42022	19775	29728
CHD35-053000	25819	12150	18265	32273	15187	22831	38728	18225	27398	51637	24300	36530
CHD35-058000	30920	14550	21938	38650	18188	27422	46380	21826	32907	61840	29101	43876
CHD35-063000	36481	17167	25942	45601	21459	32427	54721	25751	38913	72961	34335	51883
CHD40-063000	45789	21548	32296	57237	26935	40369	68684	32322	48443	91579	43096	64591
CHD40-068000	53346	25104	37736	66682	31380	47170	80019	37656	56604	106692	50208	75473
CHD40-073000	61479	28931	43592	76849	36164	54490	92219	43397	65388	122959	57863	87185
CHD48-068000	70346	33104	49554	87933	41380	61942	105519	49656	74331	140693	66208	99108
CHD48-073000	81072	38151	57276	101340	47689	71595	121608	57227	85914	162143	76303	114552
CHD48-080000	97365	45819	69008	121706	57274	86259	146048	68728	103511	194730	91638	138015
CHD60-080000	129820	61092	91367	162275	76365	114209	194730	91638	137051	259640	122184	182735
CHD60-090000	164304	77319	116196	205380	96649	145244	246455	115979	174293	328607	154639	232391
CHD60-100000	202844	95456	143945	253555	119320	179931	304266	143184	215917	405688	190912	287889

R = RUN -> coppia minima durante la corsa da 0° a 90° - the minimum run torque between 0 and 90 degrees.

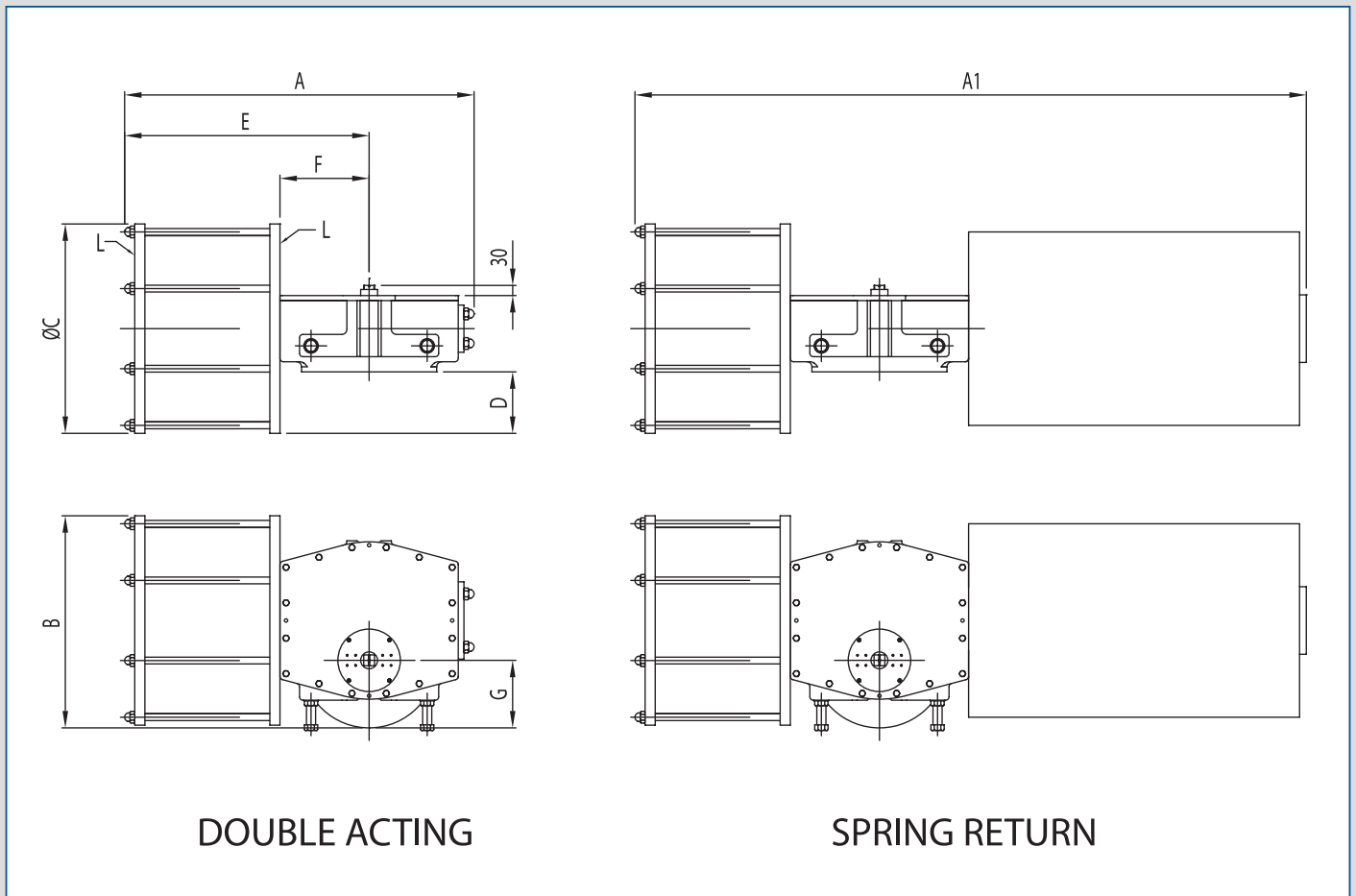
COPPIE PER GLIFO CANTED • CANTED TORQUE VALUES

SEMPLICE EFFETTO • SPRING RETURN

Valori in Nm / Values in Nm

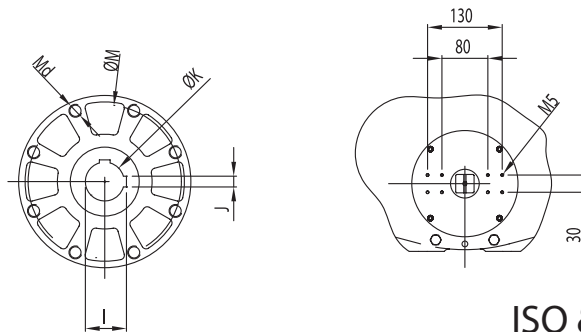
MODEL		Spring torques			Air pressure											
					4.0 bar			5.0 bar			6.0 bar			8.0 bar		
		0°	R	90°	0°	R	90°	0°	R	90°	0°	R	90°	0°	R	90°
CHD16-020*01	A	704	428	850	1224	479	468	1705	706	797	2186	932	1126			
	B	872	530	1052				1537	604	595	2018	830	924	2982	1284	1584
CHD16-025*01	A	1100	669	1328	1911	748	770	2664	1102	1294	3416	1456	1818			
	B	1362	829	1644				2402	942	978	3154	1296	1502	4660	2005	2551
CHD16-030*01	A	1584	964	1912	2752	1076	1140	3836	1586	1902	4920	2097	2665			
	B	1962	1194	2367				3458	1356	1447	4542	1867	2210	6710	2887	3736
CHD16-035*01	A	2156	1312	2603	3745	1465	1576	5221	2159	2621	6696	2854	3665			
	B	2670	1625	3222				4707	1846	2002	6182	2541	3046	9133	3929	5136
CHD25-035*01	A	2696	1640	3253	4681	1831	1902	6525	2699	3191	8369	3567	4480			
	B	3337	2031	4028				5884	2308	2416	7728	3176	3705	11417	4912	6283
CHD25-038*01	A	3177	1934	3835	5519	2158	2270	7693	3181	3796	9867	4204	5322			
	B	3934	2394	4748				6936	2721	2883	9110	3744	4409	13457	5790	7462
CHD25-043*01	A	4069	2476	4910	7066	2764	2951	9849	4074	4916	12633	5384	6881			
	B	5037	3065	6079				8881	3485	3747	11665	4795	5712	17232	7415	9643
CHD30-043*01	A	5054	3075	6099	8776	3433	3595	12234	5060	6018	15691	6688	8442			
	B	6257	3807	7551				11031	4328	4566	14488	5956	6990	21404	9210	11837
CHD30-048*01	A	6297	3832	7600	10937	4278	4544	15245	6305	7580	19553	8333	10616			
	B	7796	4744	9410				13746	5393	5770	18054	7421	8806	26671	11476	14879
CHD30-053*01	A	7677	4672	9266	13334	5216	5598	18587	7687	9314	23839	10159	13030			
	B	9505	5784	11472				16759	6575	7108	22011	9047	10824	32517	13991	18256
CHD35-053*01	A	9434	5741	11386	16385	6409	6879	22839	9446	11445	29294	12484	16012			
	B	11680	7108	14097				20593	8079	8734	27048	11117	13301	39957	17192	22433
CHD35-058*01	A	11298	6875	13636	19622	7675	8302	27352	11313	13786	35082	14951	19271			
	B	13988	8512	16882				24662	9676	10540	32392	13314	16025	47852	20589	26994
CHD35-063*01	A	13330	8112	16088	23151	9055	9854	32271	13347	16339	41391	17639	22825			
	B	16504	10043	19918				29097	11416	12509	38217	15708	18995	56457	24292	31965
CHD40-063*01	A	16731	10181	20193	29058	11367	12103	40506	16754	20176	51953	22141	28250			
	B	20715	12606	25001				36522	14329	15368	47969	19716	23442	70864	30490	39590
CHD40-068*01	A	19493	11862	23526	33853	13242	14210	47189	19518	23644	60526	25794	33078			
	B	24134	14686	29127				42548	16694	18043	55885	22970	27477	82558	35522	46346
CHD40-073*01	A	22465	13670	27112	39014	15261	16480	54384	22494	27378	69754	29727	38276			
	B	27813	16925	33568				49036	19239	20922	64406	26472	31820	95146	40938	53617
CHD48-068*01	A	25705	15642	31023	44641	17462	18531	62228	25738	30919	79814	34014	43308			
	B	31825	19366	38409				56108	22014	23533	73694	30290	35922	108868	46842	60699
CHD48-073*01	A	29624	18027	35753	51448	20124	21523	71716	29662	35842	91984	39200	50161			
	B	36677	22319	44265				64663	25370	27330	84931	34908	41649	125466	53984	70287
CHD48-080*01	A	35577	21649	42938	61788	24170	26070	86129	35625	43321	110471	47079	60573			
	B	44048	26804	53161				77658	30470	33098	102000	41924	50350	150682	64834	84854
CHD60-080*01	A	47436	28866	57251	82384	32226	34116	114839	47499	56958	147294	62772	79800			
	B	58731	35739	70882				103544	40626	43327	135999	55899	66169	200909	86445	111853
CHD60-090*01	A	60037	36533	72458	104267	40786	43738	145343	60116	72786	186418	79446	101835			
	B	74331	45232	89710				131049	51417	55534	172124	70747	84583	254276	109407	142681
CHD60-100*01	A	74119	45103	89454	128725	50353	54491	179436	74217	90477	230147	98081	126463			
	B	91767	55842	110753				161788	63478	69178	212499	87342	105164	313921	135070	177136

* = tipo di molla A o B; spring type A or B in the model number indicates the selection of either the "A" or "B" spring from the tables below.



SHD & CHD SERIES									
MODEL	A	A1	B	C	D	E	F	G	L
aHD16-020***	800	1325	370	272	48	516	196	145	1/2" NPT
aHD16-025***	800	1325	395	322	73	516	196	145	1/2" NPT
aHD16-030***	800	1325	420	373	98	516	196	145	1/2" NPT
aHD16-035***	800	1325	445	410	117	516	196	145	1/2" NPT
aHD25-035***	985	1510	490	410	92	653	236	175	1/2" NPT
aHD25-038***	985	1510	505	461	118	653	236	175	1/2" NPT
aHD25-043***	985	1510	530	512	143	653	236	175	1/2" NPT
aHD30-043***	1215	1935	640	514	128	763	287	190	3/4" NPT
aHD30-048***	1215	1935	657	564	153	763	287	190	3/4" NPT
aHD30-053***	1215	1935	682	625	184	763	287	190	3/4" NPT
aHD35-053***	1435	2320	710	625	157	904	343	230	3/4" NPT
aHD35-058***	1435	2320	732	675	183	904	343	230	3/4" NPT
aHD35-063***	1435	2320	760	730	210	904	343	230	3/4" NPT
aHD40-063***	1710	2750	830	745	192	1124	415	260	3/4" NPT
aHD40-068***	1710	2750	850	795	217	1124	415	260	3/4" NPT
aHD40-073***	1710	2750	875	847	243	1124	415	260	3/4" NPT

Replace "a" with "C" (for CHD series) or "S" (for SHD series)

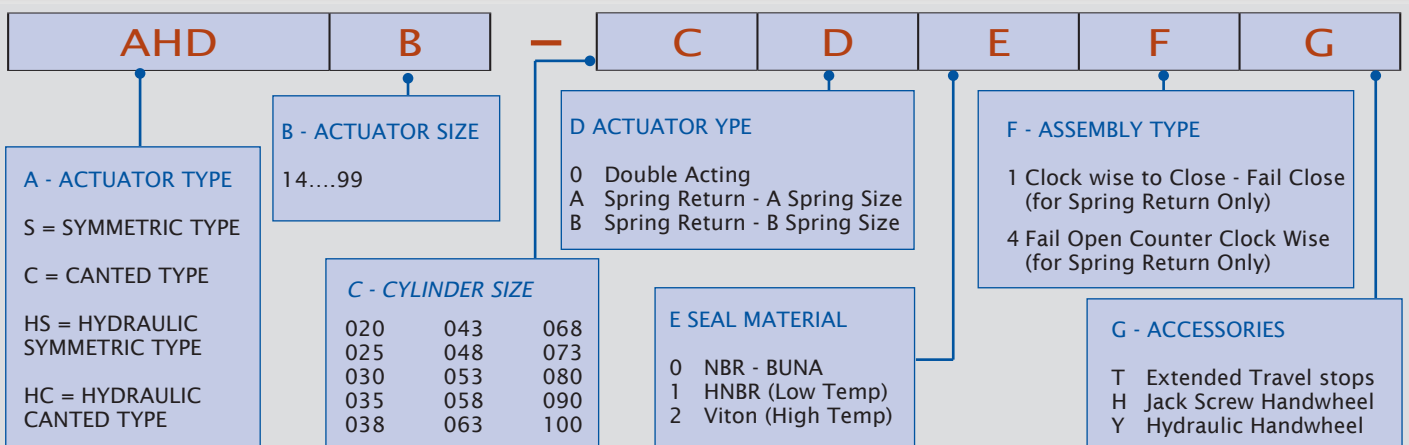


ISO & NAMUR connections

MODEL	Threads			I	J	Main Bore	
	ØM	Md	Depth			ØK	Depth
aHD16-020***	165	M20	25	54	14	50	156
aHD16-025***	165	M20	25	54	14	50	156
aHD16-030***	165	M20	25	54	14	50	156
aHD16-035***	165	M20	25	54	14	50	156
aHD25-035***	254	M16	17	85	20	80	204
aHD25-038***	254	M16	17	85	20	80	204
aHD25-043***	254	M16	17	85	20	80	204
aHD30-043***	298	M20	34	116.4	28	110	234
aHD30-048***	298	M20	34	116.4	28	110	234
aHD30-053***	298	M20	34	116.4	28	110	234
aHD35-053***	356	M30	43	137.4	32	130	279
aHD35-058***	356	M30	43	137.4	32	130	279
aHD35-063***	356	M30	43	137.4	32	130	279
aHD40-063***	406	M36	35	157.4	32	150	326
aHD40-068***	406	M36	35	157.4	32	150	326
aHD40-073***	406	M36	35	157.4	32	150	326

Replace "a" with "C" (for CHD series) or "S" (for SHD series)

CRITERI DI ORDINAZIONI • ORDERING CODE



La Emme Technology Srl si riserva il diritto di cambiare o modificare le caratteristiche tecniche di prodotto senza preavviso e senza incorrere nell'obbligo di apportare tali modifiche sui prodotti precedentemente o successivamente venduti. Emme Technology Srl reserves the right to change or modify products without prior notice and without incurring any obligation to make such changes on products previously or subsequently sold.



ATTUATORI IN ALLUMINIO
ALUMINIUM ACTUATORS



RIDUTTORI SGANCIABILI
DECLUTCH ABLE GEAR BOX



BOX FINE CORSA
LIMIT SWITCH BOX



ELETTROVALVOLE NAMUR
NAMUR SOLENOID VALVE



POSIZIONATORI
POSITIONERS