



Drawing#:

513PYH

**051 Series
Ductile Iron Lug
Resilient Seated
Butterfly Valve**

**△ P 150
Differential Pressure**

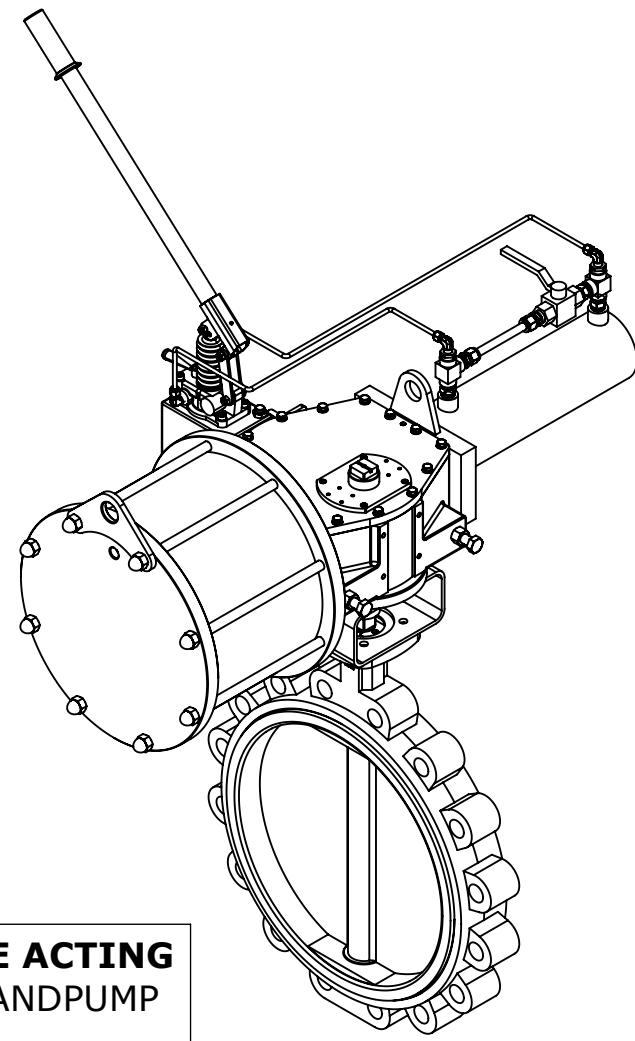
Sized for 80 PSI

**Applicable Trims:
482**

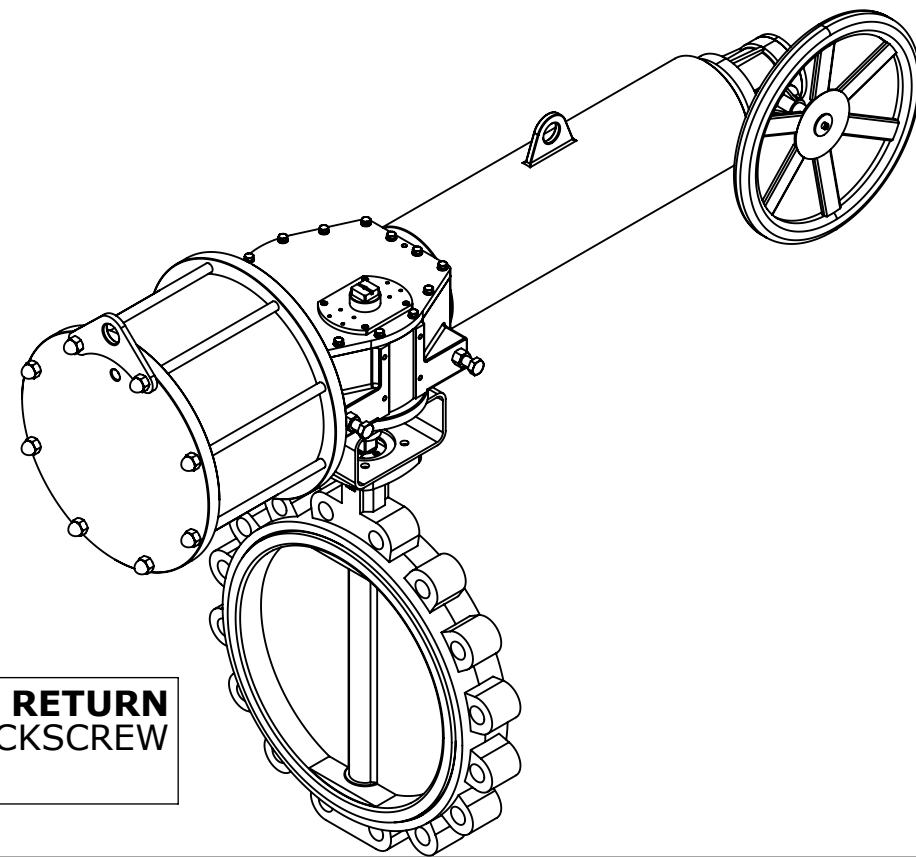
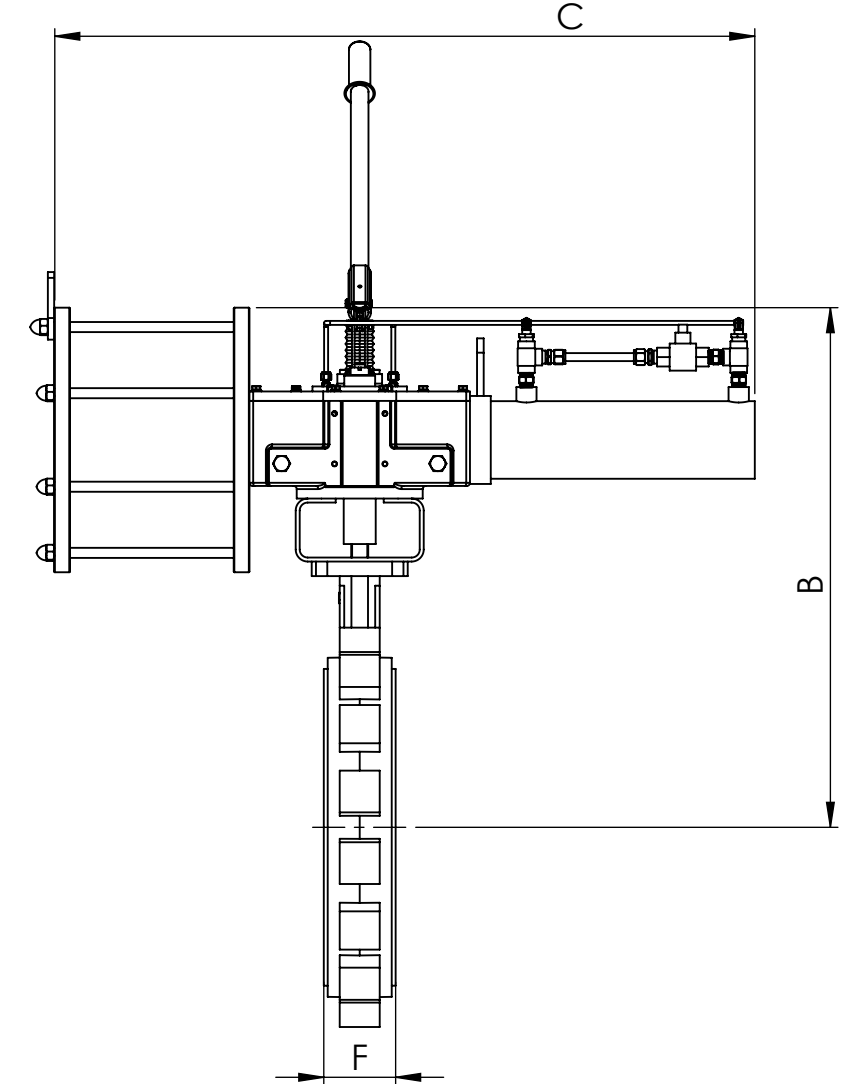
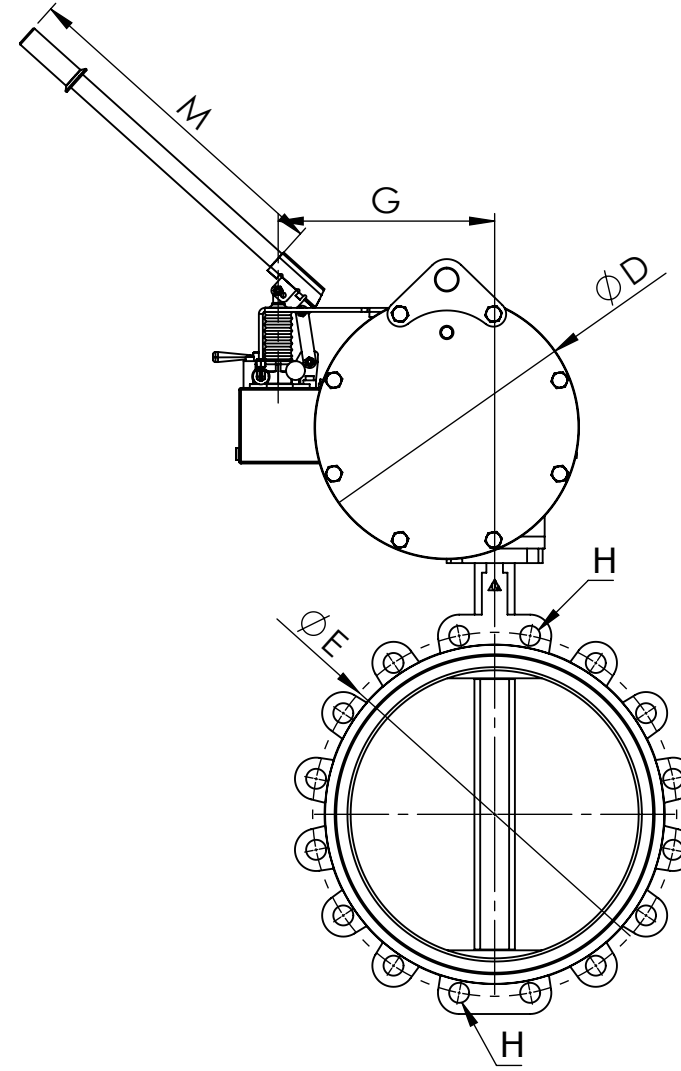


REV: 0 Date: 7/09/20

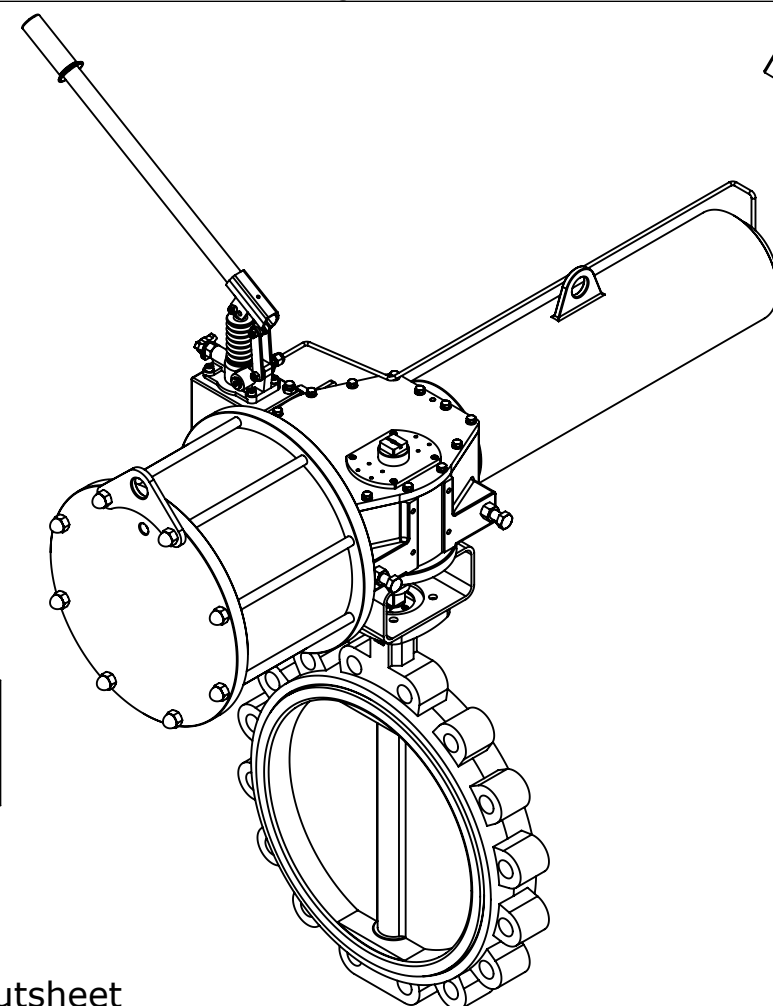
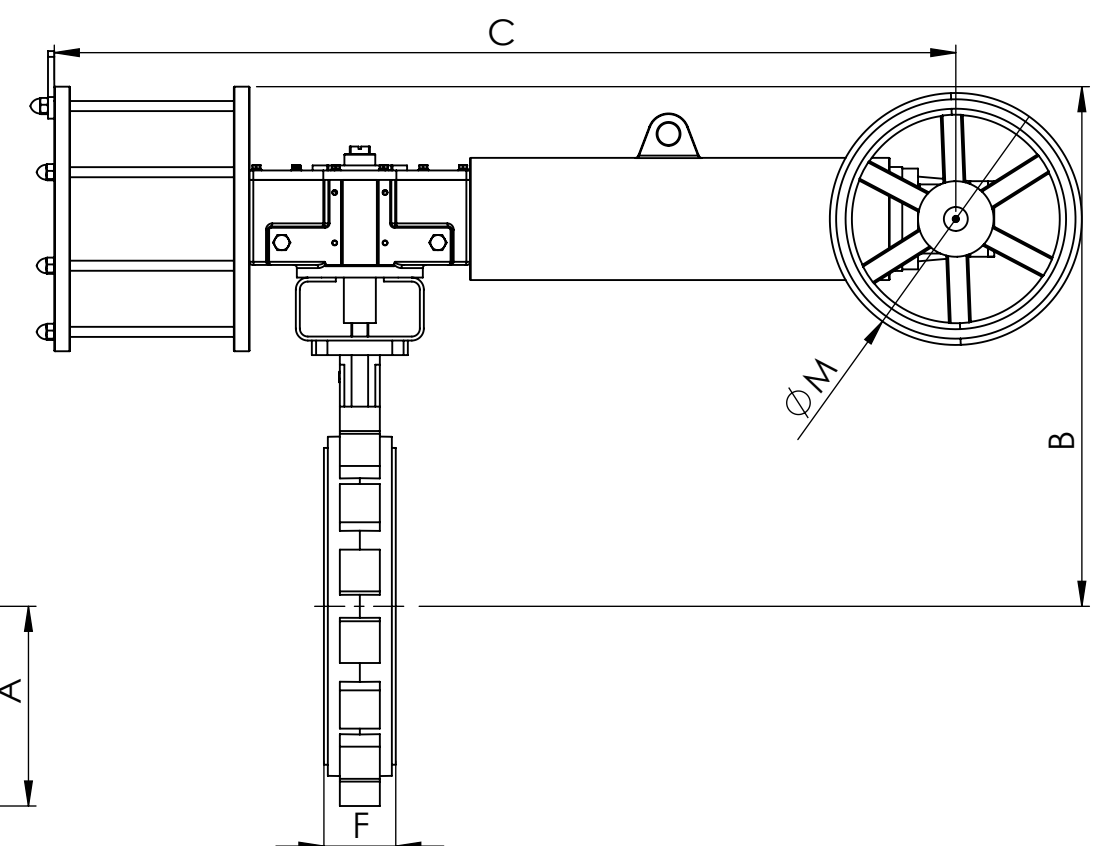
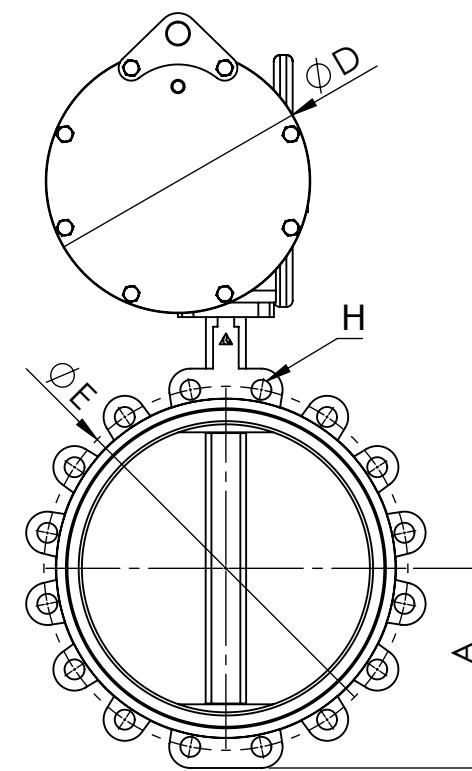
AUTOMATED BUTTERFLY VALVE ASSEMBLY



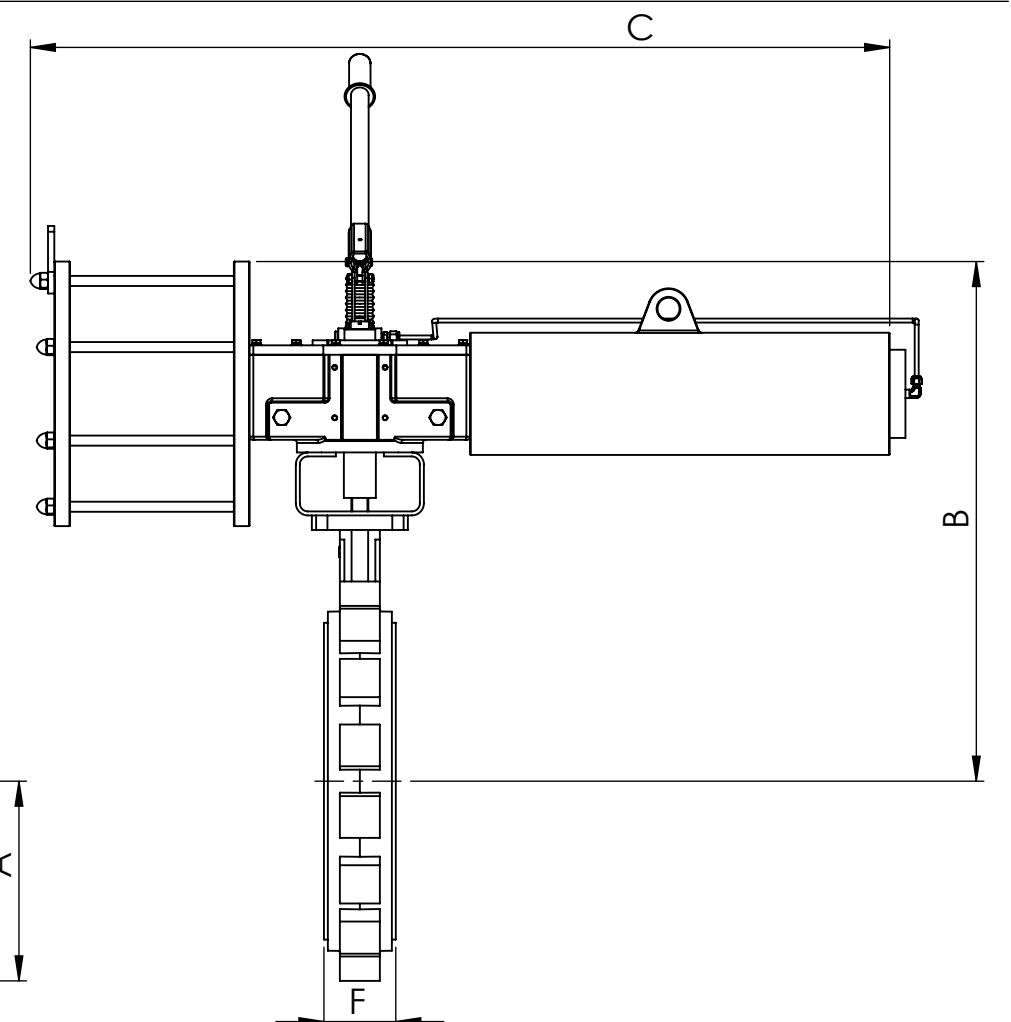
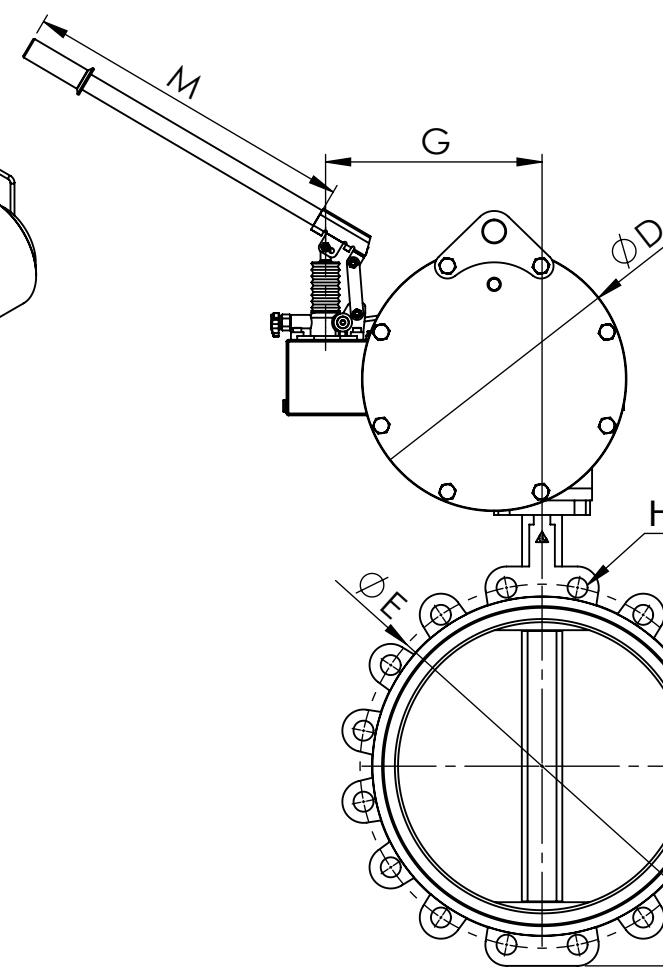
**DOUBLE ACTING
WITH HANDPUMP
DWG 1**



**SPRING RETURN
WITH JACKSCREW
DWG 2**



**SPRING RETURN
WITH HANDPUMP
DWG 3**



For smaller sizes Reference Drawing:
513PMH
For Jackscrew/Handpump Free
Option Reference Drawing:
513PYO

*For MB Actuator Mounted
Perpendicular to Valve Please
Contact Manufacturer

*All dimensions in INCHES *All weights in POUNDS

*For valve Specific Features and Dimensions see valve cutsheet

ACTION	SERVICE	SIZE	DWG	A	B	C	D	E	F	H	G	M	MOUNTING	ACTUATOR	MANUAL OVERRIDE	WEIGHT
DOUBLE ACTING	WET MEDIA	14"	1	10.3	26.8	46.1	12.7	18.8	3.1	12 x 1"-8	13.5	21.0	KY16-D140	SHD16-U025001	HD16-HP-DA	439
	SERVICE	SIZE	DWG	A	B	C	D	E	F	H	G	M	MOUNTING	ACTUATOR	MANUAL OVERRIDE	WEIGHT
	DRY AIR	14"	1	10.3	26.8	46.1	12.7	18.8	3.1	12 x 1"-8	13.5	21.0	KY16-D140	SHD16-U025001	HD16-HP-DA	439
SPRING RETURN	WET MEDIA	12"	2	9.3	25.8	56.3	12.7	17.0	3.1	12 X 7/8"-9	4.2	∅15.8	KY16-D120	SHD16-U025A01	HD16-JS-SR	496
		14"	2	10.3	28.4	56.3	16.1	18.8	3.1	12 x 1"-8	4.2	∅15.8	KY16-D140	SHD16-U035B01	HD16-JS-SR	695
	SERVICE	SIZE	DWG	A	B	C	D	E	F	H	G	M	MOUNTING	ACTUATOR	MANUAL OVERRIDE	WEIGHT
	DRY AIR	10"	2	7.9	23.5	56.3	10.7	14.3	2.7	12 x 7/8"-9	4.2	∅15.8	KY16-D100	SHD16-U020B01	HD16-JS-SR	420
		12"	2	9.3	25.8	56.3	12.7	17.0	3.1	12 X 7/8"-9	4.2	∅15.8	KY16-D120	SHD16-U025B01	HD16-JS-SR	496
		14"	3	10.3	30.5	59.4	16.1	18.8	3.1	12 x 1"-8	13.5	21.0	KY25-D140	SHD25-U035B01	HD25-HP-SR	950