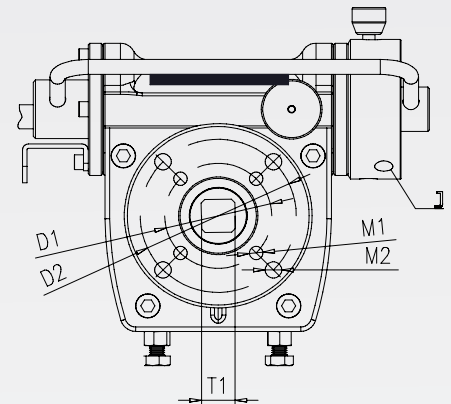
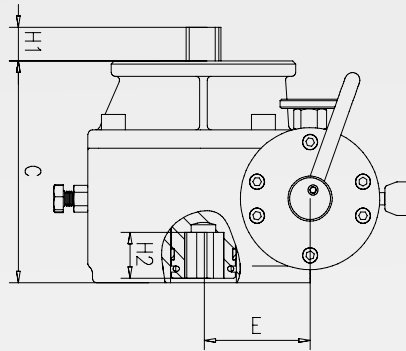
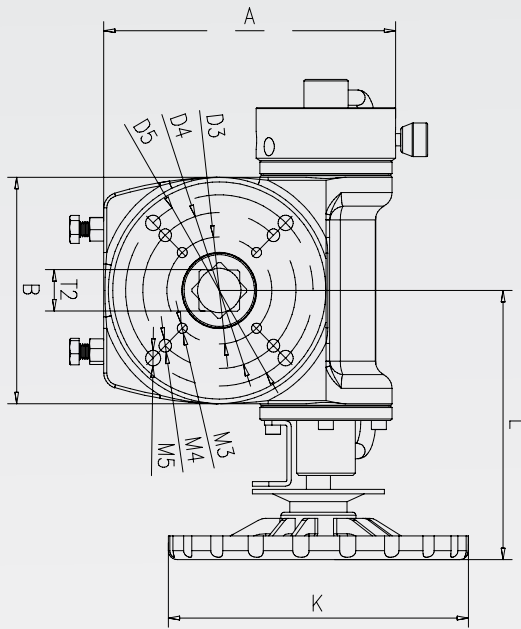


Dimensional Data



Imperial Dimensions

Part No.	A	B	C	D1.D2	D3.D4.D5	E	L	Ø M1	Ø M2	T1	T2	H1	H2	Ø K	J	Input Torque	Output Torque	Rim Pull
	in	in	in	ISO	ISO	in	in	in	in	in	in	in	in	in	-	in-lbs	in-lbs	lbs-f
GOW02	4.7	3.9	4.09	F05.F07	F05.F07	1.75	4.7	0.28	0.35	0.551	0.669	0.67	0.98	7.9	1/4" NPT	195	1770	50
GOW06	7.6	5.8	5.71	F07.F10	F07.F10	2.80	6.9	0.35	0.43	0.866	1.063	0.87	1.18	7.9	1/4" NPT	372	5310	94
GOW09	7.6	5.8	5.71	F07.F10	F07.F10.F12	2.80	7.0	0.35	0.43	1.063	1.063	1.10	1.18	9.8	1/4" NPT	620	7966	126
GOW12	7.6	5.8	5.71	F07.F10	F07.F10.F12	2.80	7.1	0.35	0.43	1.063	1.063	1.10	1.18	11.8	1/4" NPT	850	10621	144
GOW16	10.2	7.7	7.54	F10.F12	F10.F12	4.23	10.6	0.43	0.51	1.417	1.417	1.34	1.57	13.8	1/4" NPT	708	14161	103
GOW20	10.2	7.7	7.54	F10.F12	F10.F12	4.23	10.7	0.43	0.51	1.417	1.417	1.34	1.57	15.7	1/4" NPT	885	17701	112
GOW33	13.1	10.0	7.13	F16	F12.F16	4.84	10.7	0.87	-	1.811	1.811	1.77	6.93	23.6	1/4" NPT	1682	29207	142
GOW40	13.1	10.0	7.13	F16	F12.F16	4.84	10.8	0.87	-	1.811	1.811	1.77	6.93	27.6	1/4" NPT	2036	35403	148

Metric Dimensions

Part No.	A	B	C	D1.D2	D3.D4.D5	E	L	Ø M1	Ø M2	T1	T2	H1	H2	Ø K	J	Input Torque	Output Torque	Rim Pull
	mm	mm	mm	ISO	ISO	mm	mm	mm	mm	mm	mm	mm	mm	mm	-	Nm	Nm	N
GOW02	120	100	104	F05.F07	F05.F07	44.5	120	7	9	14	17	17	25	200	1/4" NPT	22	200	5.6
GOW06	192	148	145	F07.F10	F07.F10	71	175	9	11	22	27	22	30	200	1/4" NPT	42	600	10.6
GOW09	192	148	145	F07.F10	F07.F10.F12	71	178	9	11	27	27	28	30	250	1/4" NPT	70	900	14.2
GOW12	192	148	145	F07.F10	F07.F10.F12	71	181	9	11	27	27	28	30	300	1/4" NPT	96	1200	16.3
GOW16	260	196	191.5	F10.F12	F10.F12	107.5	268	11	13	36	36	34	40	350	1/4" NPT	80	1600	11.6
GOW20	260	196	191.5	F10.F12	F10.F12	107.5	272	11	13	36	36	34	40	400	1/4" NPT	100	2000	12.7
GOW33	334	255	181	F16	F12.F16	123	272	22	-	46	46	45	176	600	1/4" NPT	190	3300	16
GOW40	334	255	181	F16	F12.F16	123	275	22	-	46	46	45	176	700	1/4" NPT	230	4000	16.7



The Best Way To Automate Your Process

Your nearest Max-Air dealer can be found at:

Rev. April 5, 2018



NORTH AMERICA

Max-Air Technology, Inc.
751 Hoff Rd
O'Fallon, Missouri 63366
United States of America
Tel: +1.636.272.4934
Toll Free: 888.842.9998
Fax: 636.272.4937

EUROPE

Emme Technology, Srl.
Via Di Vittorio, 307/27
20099 Sesto San Giovanni
Milan, Italy
Tel: +39.02.2626.2174
Fax: +39.02.2622.0777

R04052018