

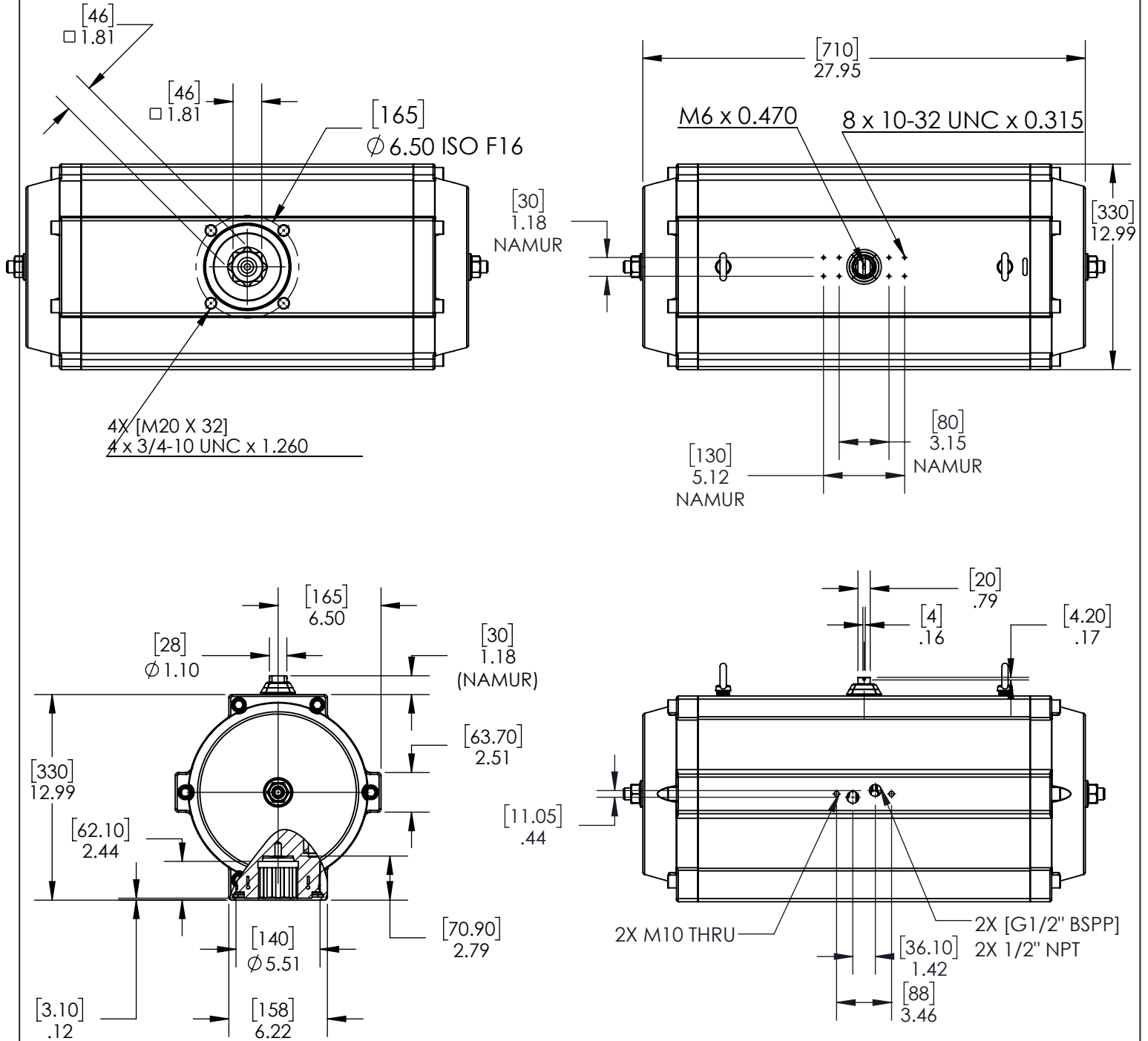
MT76
TECHNICAL DATA



MT75
DATI TECNICI

DIMENSIONS TO
ISO 5211 - DIN 3337
AND NAMUR VDI/VDE 3845

DIMENSIONS IN INCHES
[MM]



| WEIGHT (LB.) | | AIR CONSUMPTION (CU. IN.) | |
|--------------|----------|---------------------------|----------|
| D.A. | S.R. 8+8 | D.A. | S.R. 8+8 |
| 179.9 | 216.1 | 1963.0 | 731.0 |

MT-75

VALORI DI COPPIA in "Nm"
TORQUE VALUES in "Nm"

DOPPIO EFFETTO
DOUBLE ACTING

100 kPa = 1 Bar

| | | | | | | | | |
|---------|---------|---------|---------|---------|---------|---------|---------|---------|
| 100 kPa | 200 kPa | 300 kPa | 400 kPa | 500 kPa | 562 kPa | 600 kPa | 700 kPa | 800 kPa |
| 634 | 1268 | 1903 | 2537 | 3171 | 3564 | 3805 | 4439 | 5074 |

SEMPLICE EFFETTO 90°
SPRING RETURN 90°

100 kPa = 1 Bar

| POS. 1 COPPIA DI CHIUSURA (RITORNO MOLLE) POS. 1 CLOSING TORQUE (SPRING) | | POS. 2 - COPPIA DI APERTURA - POS. 2 - OPENING TORQUE | | | | | | | | | | | | | | | | |
|---------------------------------------------------------------------------------------------|-------|-------------------------------------------------------|-------|---------|-------|---------|-------|---------|-------|---------|-------|---------|-------|---------|-------|---------|-------|------|
| | | 200 kPa | | 300 kPa | | 400 kPa | | 500 kPa | | 562 kPa | | 600 kPa | | 700 kPa | | 800 kPa | | |
| N° MOLLE # SPRINGS | START | END | START | END | START | END | START | END | START | END | START | END | START | END | START | END | START | END |
| 1+1 | 321 | 201 | 1067 | 947 | 1702 | 1582 | 2336 | 2216 | 2970 | 2850 | 3363 | 3243 | 3604 | 3484 | 4238 | 4118 | 4873 | 4753 |
| 2+2 | 642 | 403 | 865 | 626 | 1500 | 1261 | 2134 | 1895 | 2768 | 2529 | 3161 | 2922 | 3402 | 3163 | 4036 | 3797 | 4671 | 4432 |
| 3+3 | 963 | 604 | 664 | 305 | 1299 | 940 | 1933 | 1574 | 2567 | 2208 | 2960 | 2601 | 3201 | 2842 | 3835 | 3476 | 4470 | 4111 |
| 4+4 | 1284 | 805 | -- | -- | 1098 | 619 | 1732 | 1253 | 2366 | 1887 | 2759 | 2280 | 3000 | 2521 | 3634 | 3155 | 4269 | 3790 |
| 5+5 | 1604 | 1007 | -- | -- | -- | -- | 1530 | 933 | 2164 | 1567 | 2557 | 1960 | 2798 | 2201 | 3432 | 2835 | 4067 | 3470 |
| 6+6 | 1925 | 1208 | -- | -- | -- | -- | 1329 | 612 | 1963 | 1246 | 2356 | 1639 | 2597 | 1880 | 3231 | 2514 | 3866 | 3149 |
| 7+7 | 2246 | 1410 | -- | -- | -- | -- | -- | -- | 1761 | 925 | 2154 | 1318 | 2395 | 1559 | 3029 | 2193 | 3664 | 2828 |
| 8+8 | 2567 | 1611 | -- | -- | -- | -- | -- | -- | 1560 | 604 | 1953 | 997 | 2194 | 1238 | 2828 | 1872 | 3463 | 2507 |

MT-76

TORQUE VALUES in "IN.LB"

SPRING RETURN 90°

DOUBLE ACTING

| | |
|----------|-------|
| 40 PSIG | 15750 |
| 60 PSIG | 23625 |
| 80 PSIG | 31500 |
| 100 PSIG | 39375 |
| 120 PSIG | 47250 |

| # SPRINGS | POS. 1 CLOSING TORQUE (SPRING) | | POS. 2 - OPENING TORQUE | | | | | | | | | |
|-----------|--------------------------------------|-------|-------------------------|-------|---------|-------|---------|-------|----------|-------|----------|-------|
| | START | END | 40 PSIG | | 60 PSIG | | 80 PSIG | | 100 PSIG | | 120 PSIG | |
| | START | END | START | END | START | END | START | END | START | END | START | END |
| 1+1 | 2843 | 1784 | 13966 | 12907 | 21841 | 20782 | 29716 | 28657 | 37591 | 36532 | 45466 | 44407 |
| 2+2 | 5686 | 3569 | 12181 | 10064 | 20056 | 17939 | 27931 | 25814 | 35806 | 33689 | 43681 | 41564 |
| 3+3 | 8530 | 5353 | 10397 | 7220 | 18272 | 15095 | 26147 | 22970 | 34022 | 30845 | 41897 | 38720 |
| 4+4 | 11373 | 7137 | 8613 | 4377 | 16488 | 12252 | 24363 | 20127 | 32238 | 28002 | 40113 | 35877 |
| 5+5 | 14216 | 8922 | -- | -- | 14703 | 9409 | 22578 | 17284 | 30453 | 25159 | 38328 | 33034 |
| 6+6 | 17059 | 10706 | -- | -- | 12919 | 6566 | 20794 | 14441 | 28669 | 22316 | 36544 | 30191 |
| 7+7 | 19902 | 12490 | -- | -- | -- | -- | 19010 | 11598 | 26885 | 19473 | 34760 | 27348 |
| 8+8 | 22746 | 14275 | -- | -- | -- | -- | 17225 | 8754 | 25100 | 16629 | 32975 | 24504 |

