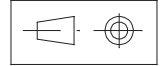
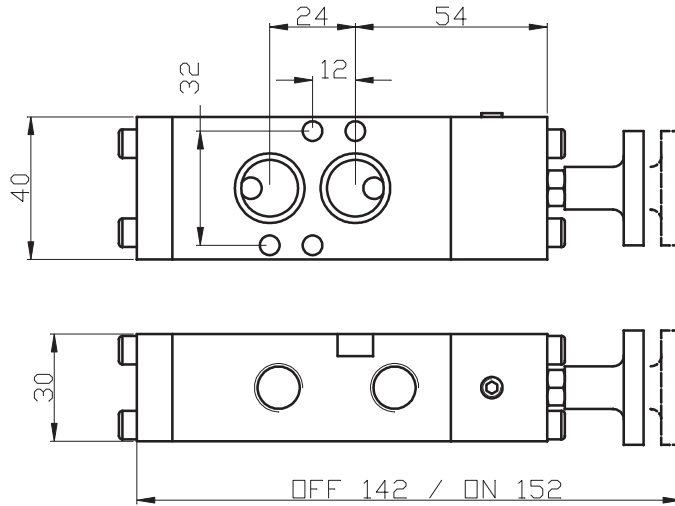


# NV62L

## Block & Bleed Valve



Dimensions in mm

**Operation:** Intermediate valve between actuator and solenoid valve. When activated it blocks supply air and at the same time vents the pressurized air coming from the actuator. It has a NAMUR direct mount interface to the actuator and solenoid valve.

### Technical Data

Standard:

NAMUR 1/4" NPT

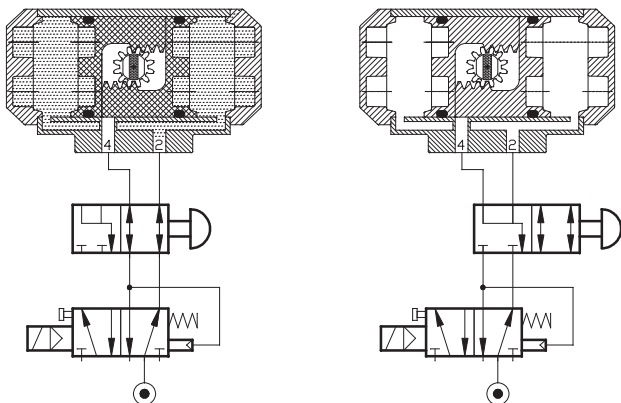
Operating pressure:

Max 10 BAR (145 PSI)

Weight:

390 g (0.86 lbs)

### DOUBLE ACTING



### SPRING RETURN

