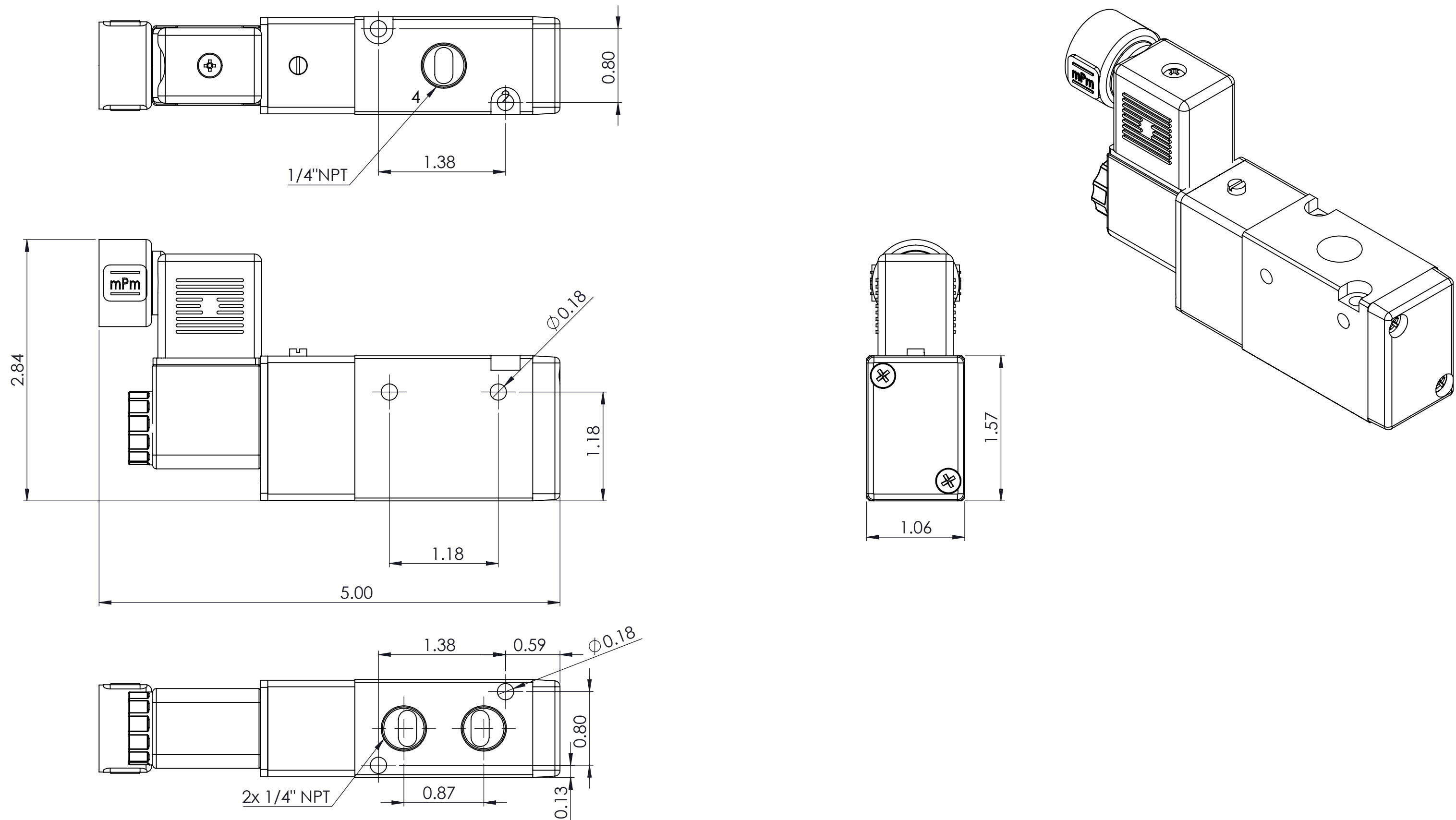


SV16-X-3-STD
TECHNICAL DATA

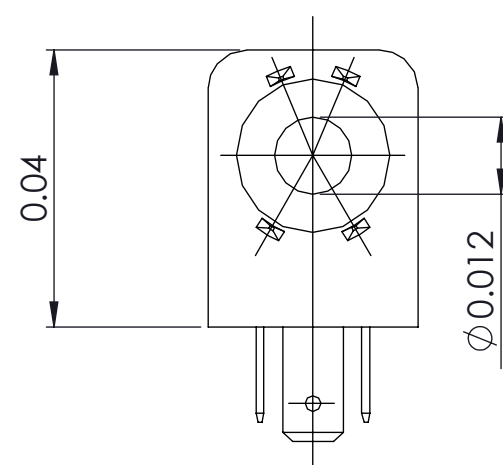
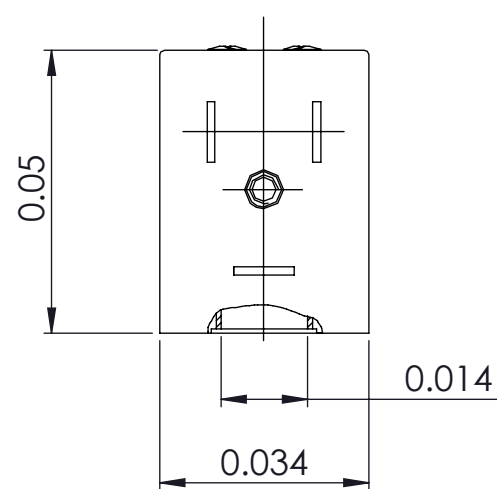


INLINE SOLENOID VALVE
3-WAY BODY, 2 POSITION
ENERGIZE OPEN, SPRING CLOSE
SINGLE COIL

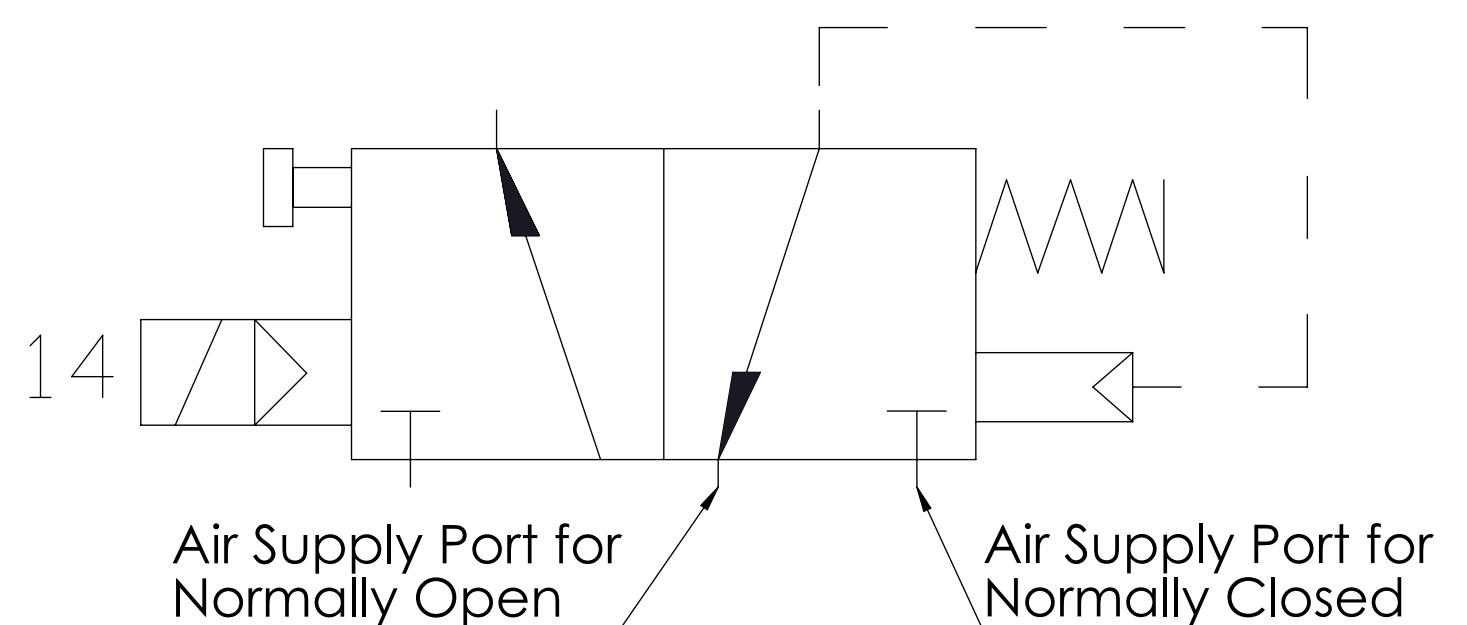
DIMENSIONS IN INCHES



Coil



Single Pilot



TECHNICAL DATA

Standard voltages = 24 - 110 - 220V 50/60 Hz,
12 - 24V DC
Power input = 60 Hz inrush 9.4VA holding 6.9VA
Power input = DC 4.8W
Voltage tolerance = $\pm 10\%$
Coil insulation = class "F" (for nylon coil)
Duty cycle = 100%
Protection class = IP65

Air supply connection = 1/4" NPT
Operating pressure = min. 2 Bar (30 PSI) -
max. 8 Bar (120 PSI)
Din connector = 1/2" NPT
Flow factor = Cv 1.1
Max operating frequency = 600/1'
Room temperature limit = -4°F~158°F
Weight = 0.80 lb

Max-Air Technology Inc.

751 Hoff Road - O'Fallon, Missouri 63366 U.S.A.
www.max-airtechnology.com info@max-airtechnology.com