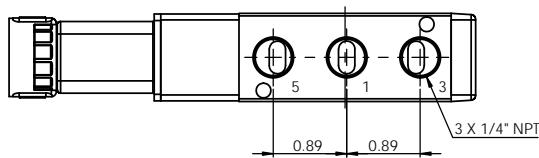
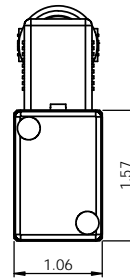
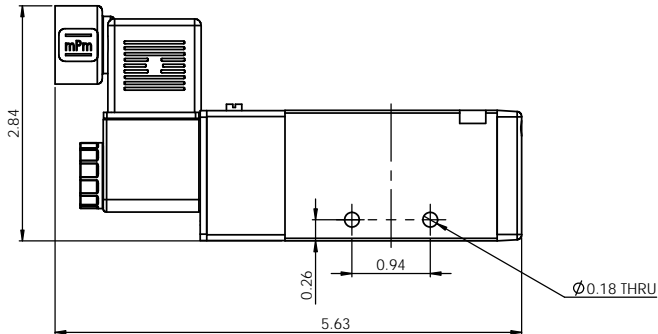
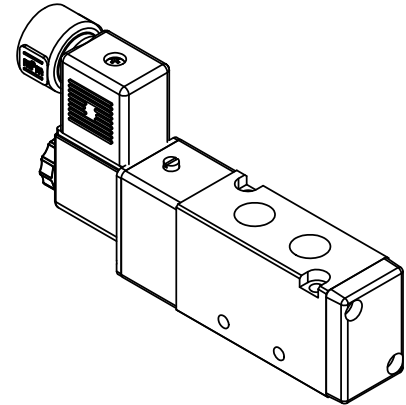
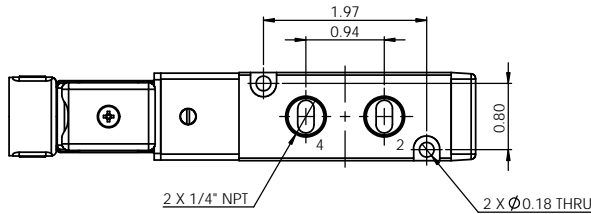


SV16-X-5-STD
TECHNICAL DATA



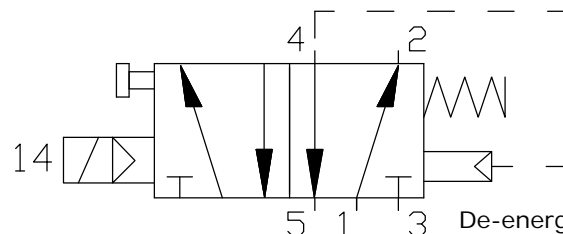
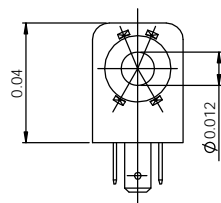
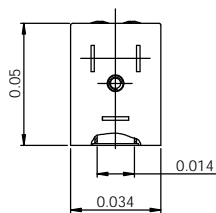
INLINE SOLENOID VALVE
5-WAY BODY, 2 POSITION
ENERGIZE OPEN, SPRING CLOSE
SINGLE COIL

DIMENSIONS IN INCHES



Coil

Single Pilot



De-energized: 1 to 2
Energized: 1 to 4

TECHNICAL DATA

Standard voltages = 24 - 110 - 220V 50/60 Hz,
12 - 24V DC
Power input = 60 Hz inrush 9.4VA holding 6.9VA
Power input = DC 4.8W
Voltage tolerance = ± 10%
Coil insulation = class "F" (for nylon coil)
Duty cycle = 100%
Protection class = IP65

Air supply connection = 1/4" NPT
Operating pressure = min. 2 Bar (30 PSI) –
max. 8 Bar (120 PSI)
Din connector = 1/2" NPT
Flow factor = Cv 1.1
Max operating frequency = 600/1'
Room temperature limit = -4°F~158°F
Weight = 0.80 lb

Max-Air Technology Inc.

751 Hoff Road - O'Fallon, Missouri 63366 U.S.A.

www.max-airtechnology.com info@max-airtechnology.com