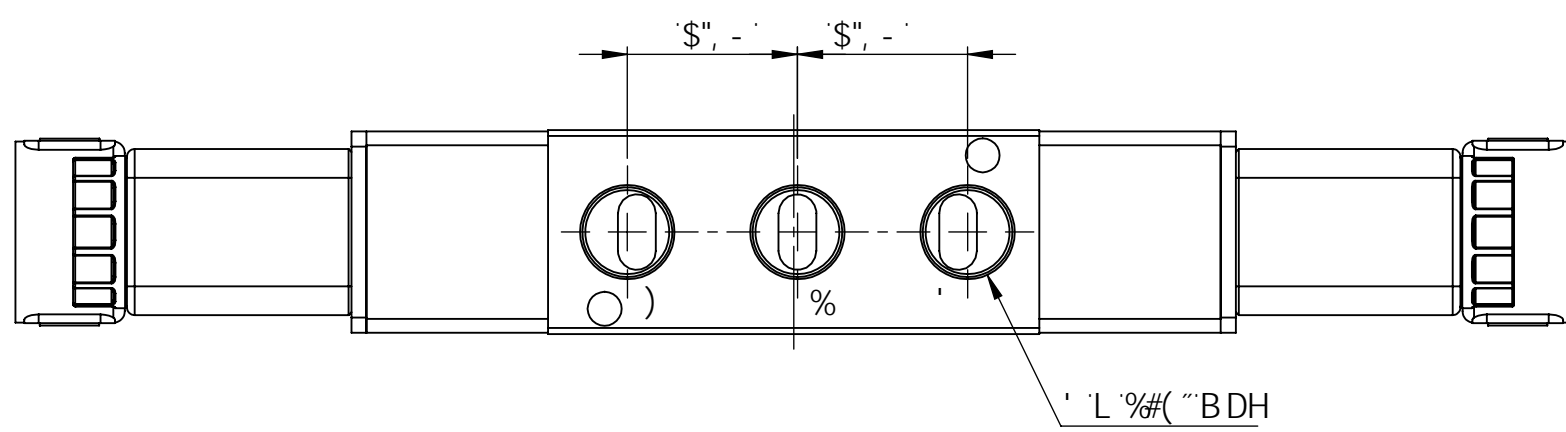
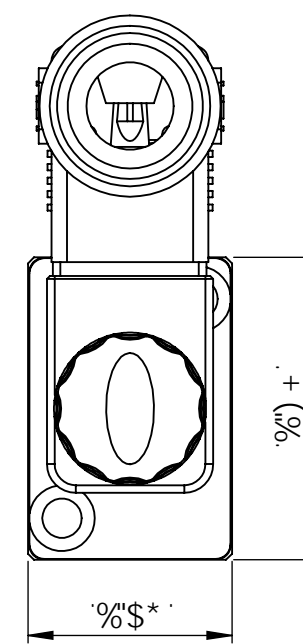
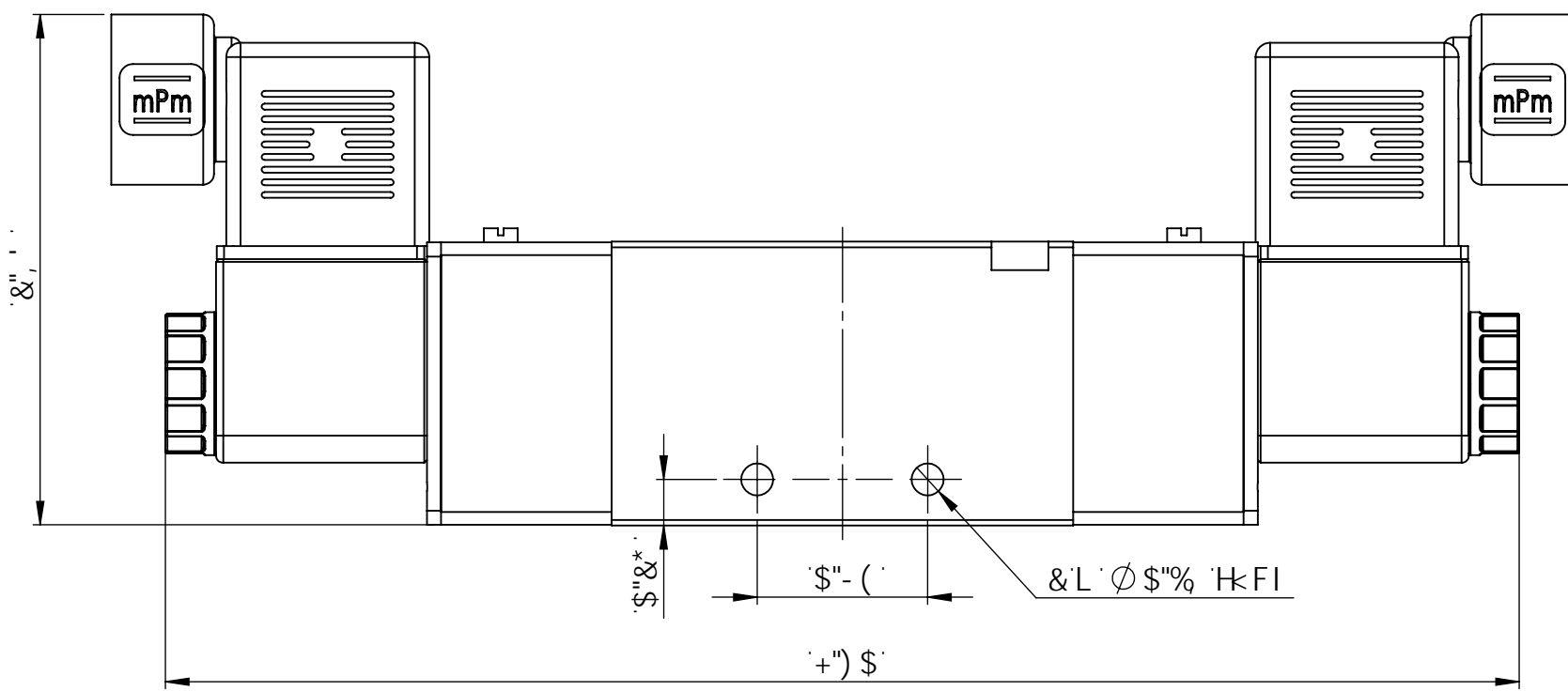
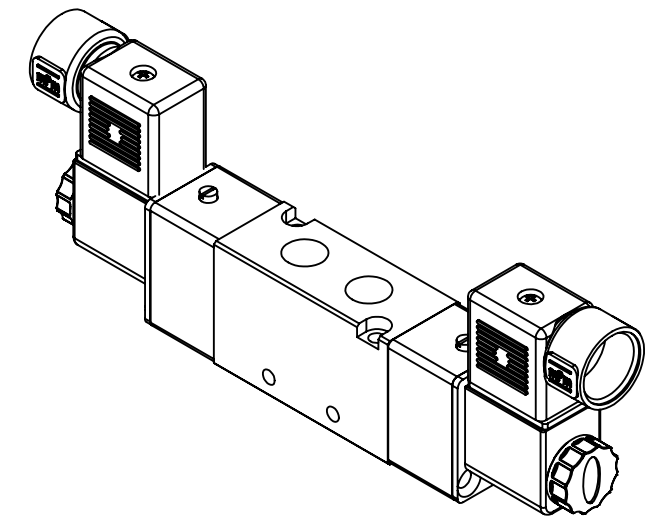
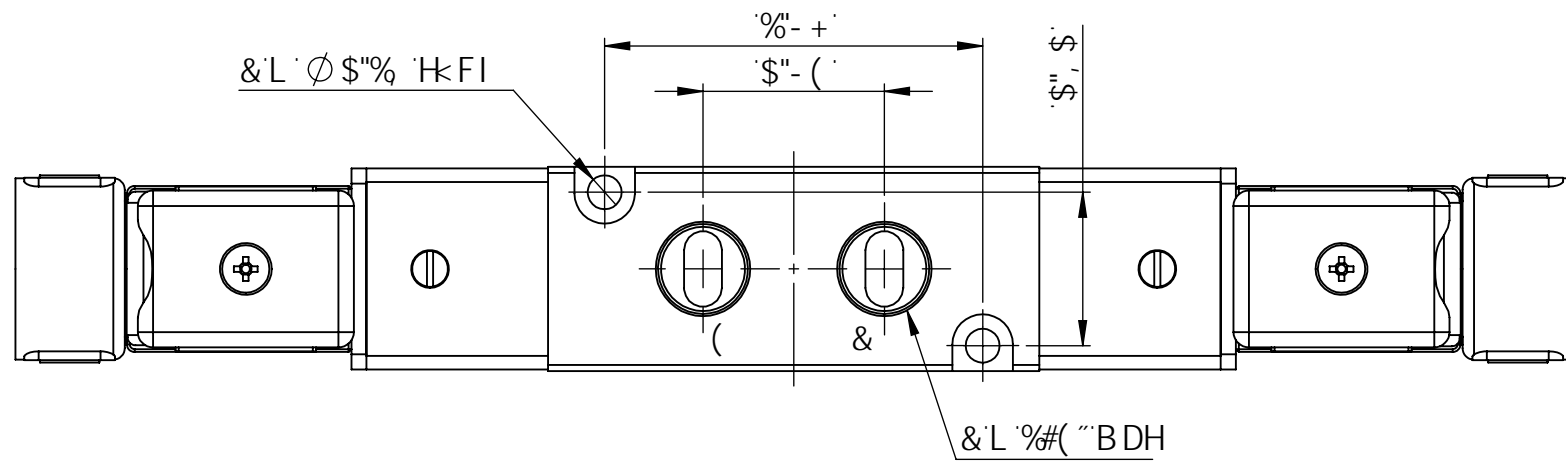


GJ %* & L!) ! G-B
H97 < B=7 5@85H5

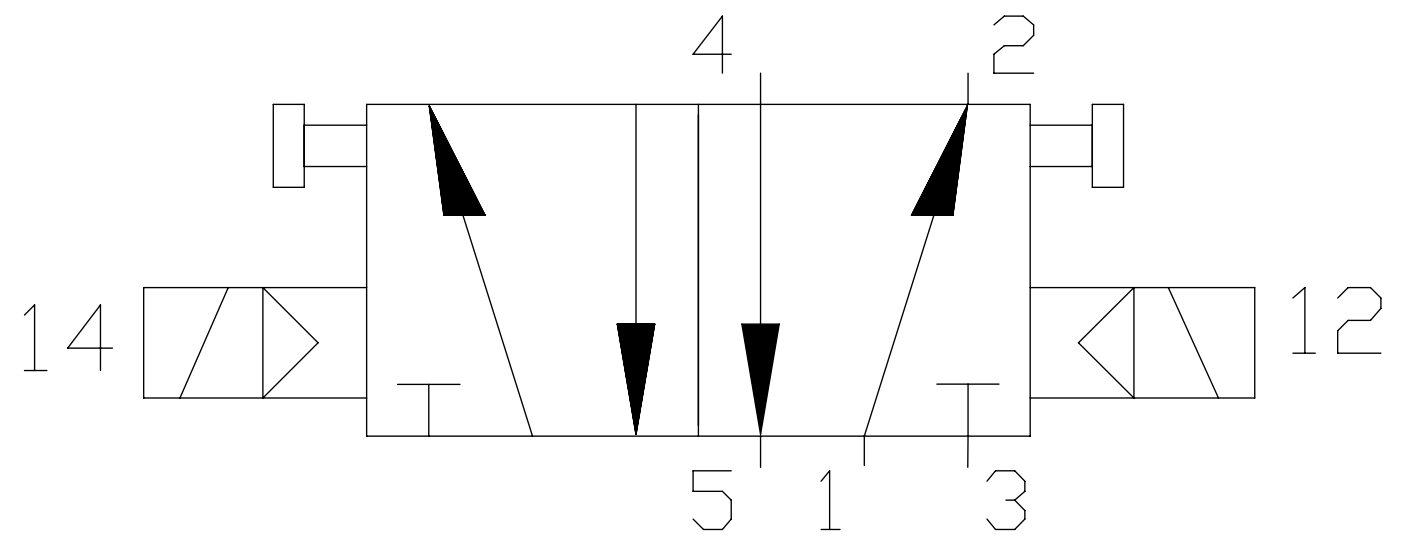
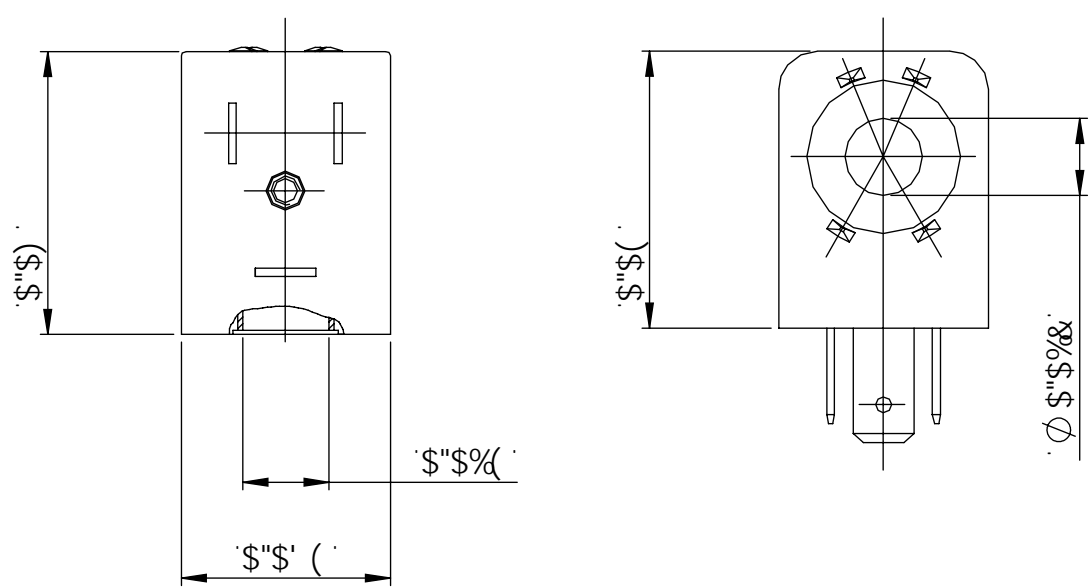
AUI!5]f
H97 < BC@C; M
E >

B@B9'GC @9BC -8 J 5@9
)!K 5M6C 8M&DC G+€ B
9B9F; #9'C D9B #7 @ G9
8I 5@7C -@
8 A 9BG€ BG'B 'B7 <9G



7c]

&D]chg



H97 < B=7 5@85H5

GHUbXUfX'j c`hU[Yg'1 '&(! %\$! '&&\$J ') \$#* \$' < nž
.....%&! '&(J '87
Dck Yf`]bdi h'1 '* \$' < n`]bfi g\ '- "(J 5\`c`X]b['* "- J 5
Dck Yf`]bdi h'1 '87 `(" , K
J c`hU[Y`hc`YfUbW'1 ' - '%\$!
7c]`]bgi `Uh]cb'1 `WUgg`": ``fZcf`bmc`b`Vč]Ł
8i hm`VW'1 '%\$!
DfchYVW]cb`WUgg'1 '=D*)

5]f'gi dd`mVčbbYVW]cb'1 `%(``BDH
CdYfUh]b[`dfYggi fY'1 `a]b" '&'6Uf`fi \$`DG-Ł`È
.....a UI "", `6Uf`fp%&\$`DG-Ł
8]b`VčbbYVW]cf'1 `%#&``BDH
: `ck`ZUV]cf'1 `7j`'%%
A UI `cdYfUh]b[`ZfYei YbVWn'1 '* \$\$#%fi
Fcca `hYa dYfUhi fY`]a]h'1 `!(š: r %) , š:
K Y][\`h'1 '\$", \$`V

AUI!5]f HYV\bc`c[m `bW'

+) % < cZZ FcUX ! Cfi U`cbž A]ggci f] *' ' * * | "G"5"
k k k "a UI !U]fhYV\bc`c[m`Vča]bZc4 a UI !U]fhYV\bc`c[m`Vča