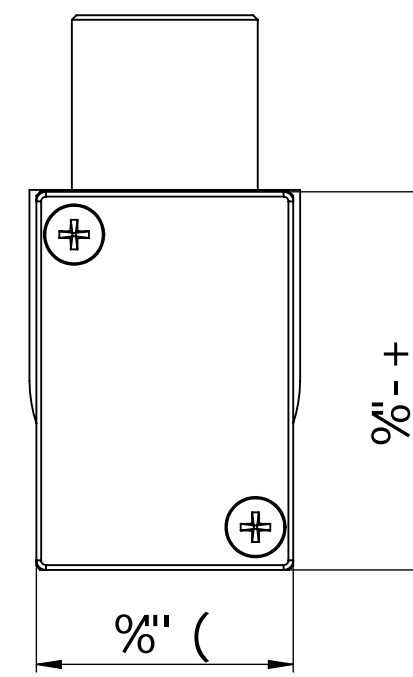
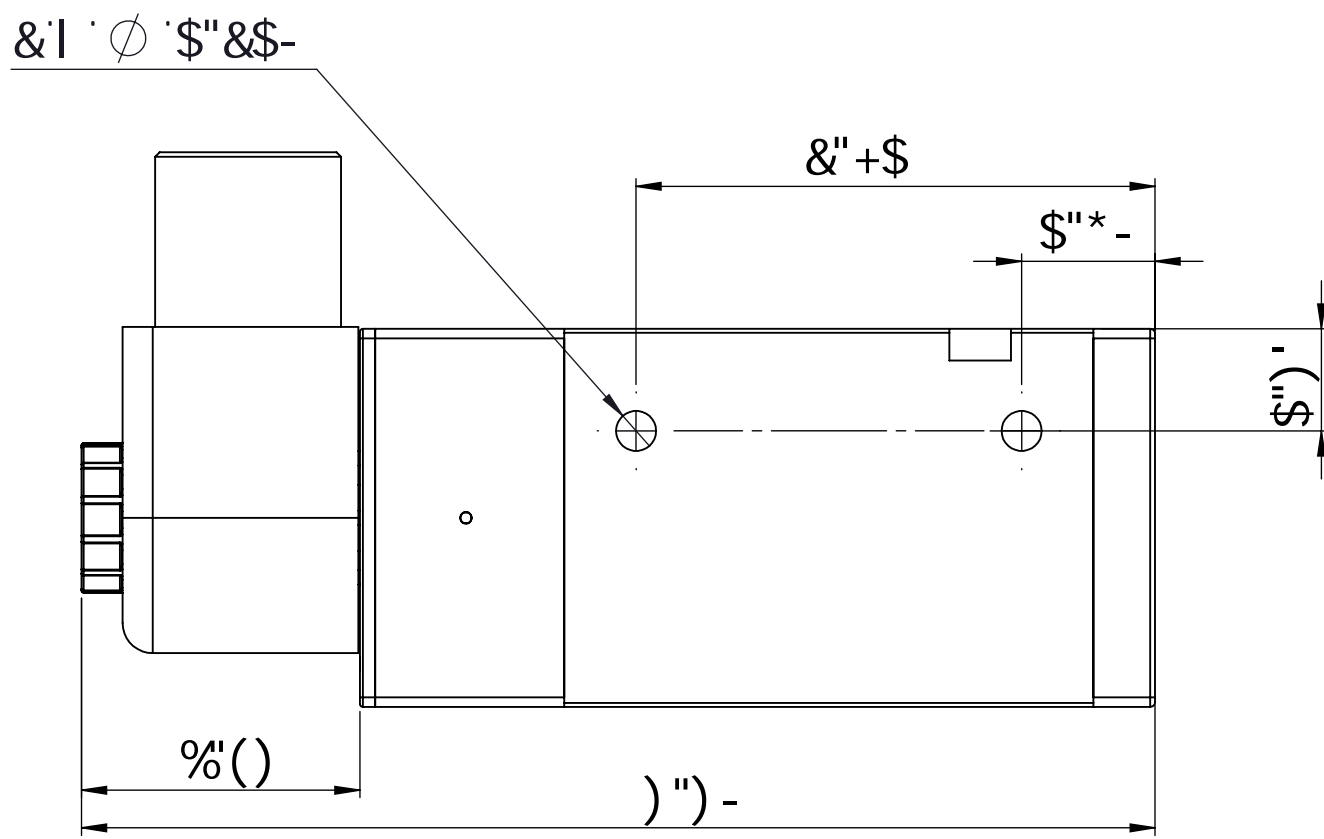
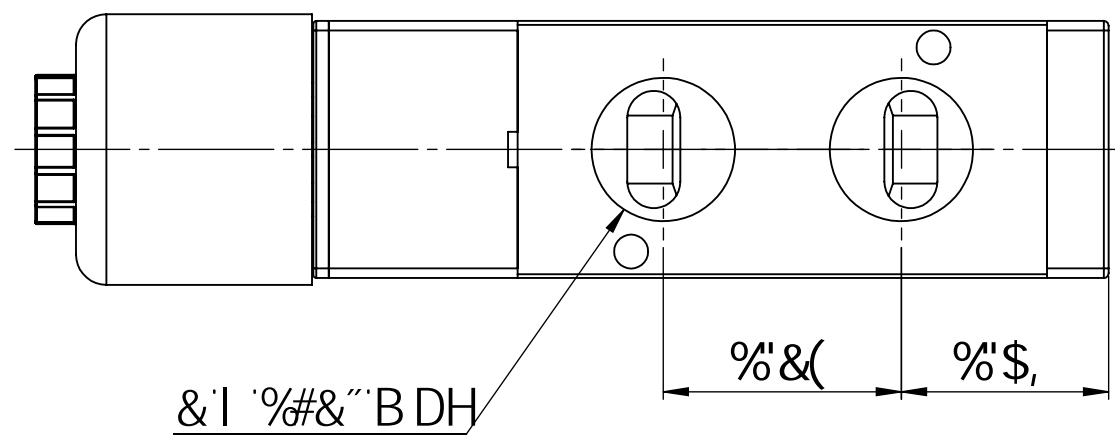
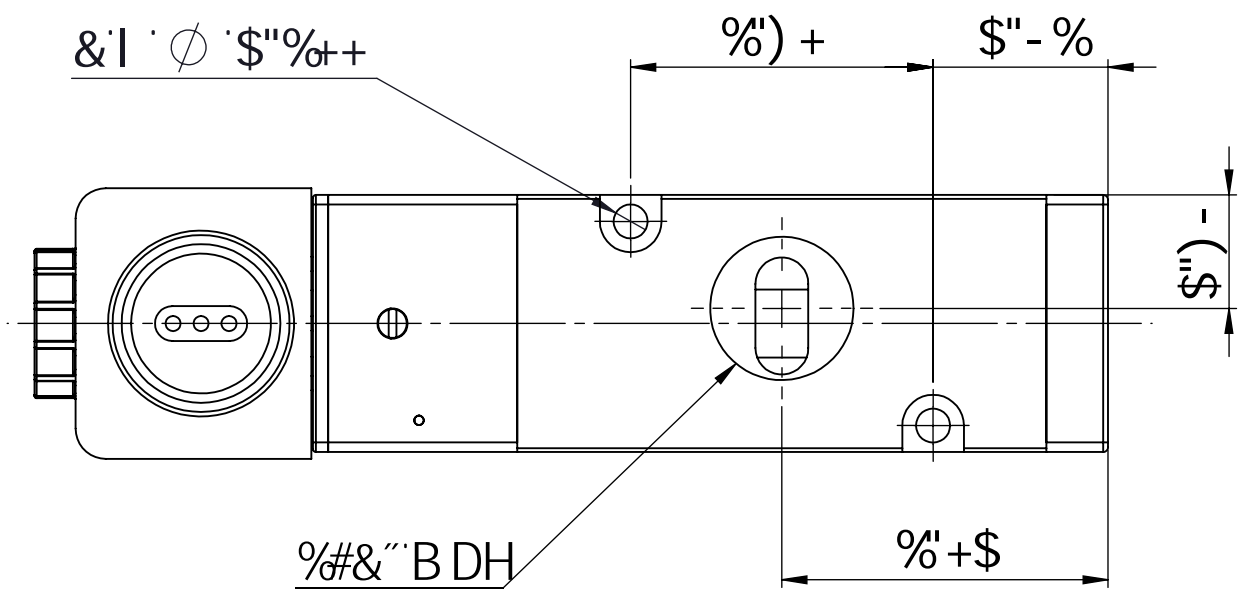
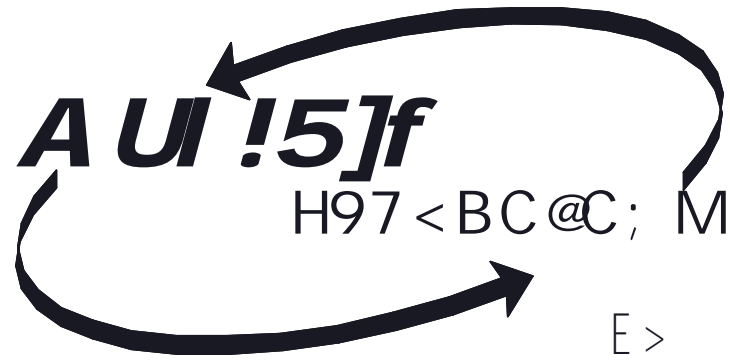


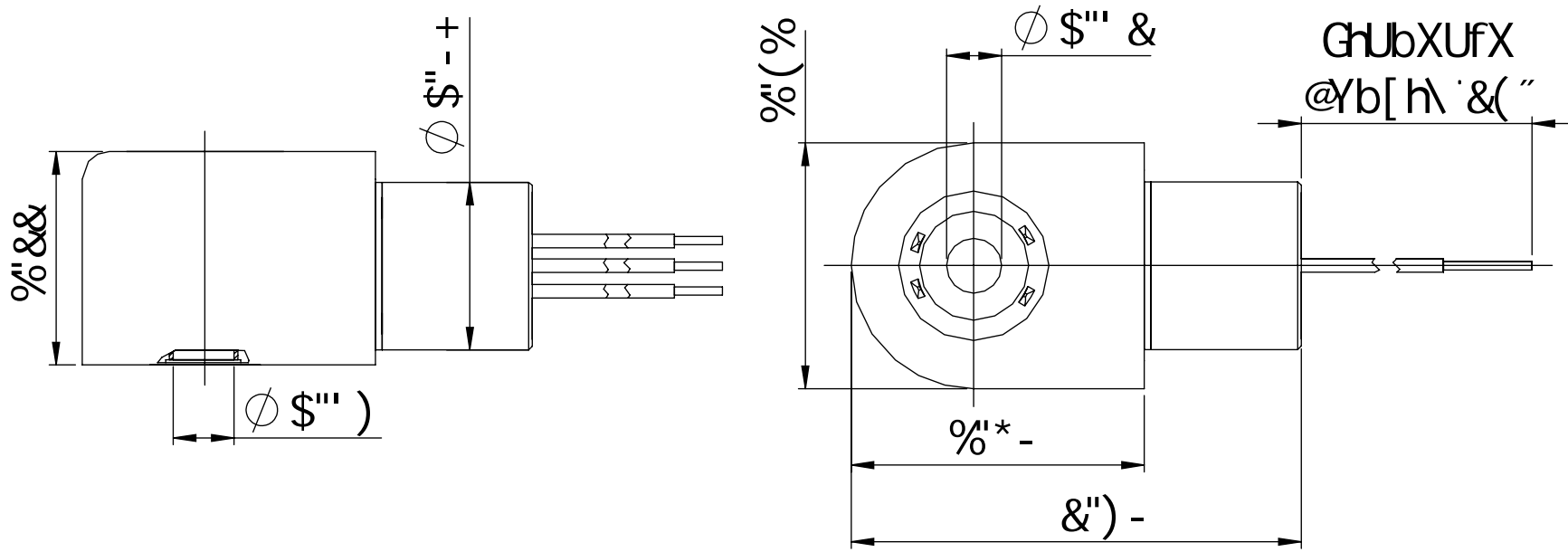
GJ &-'

H97 <B=7 5@85H5

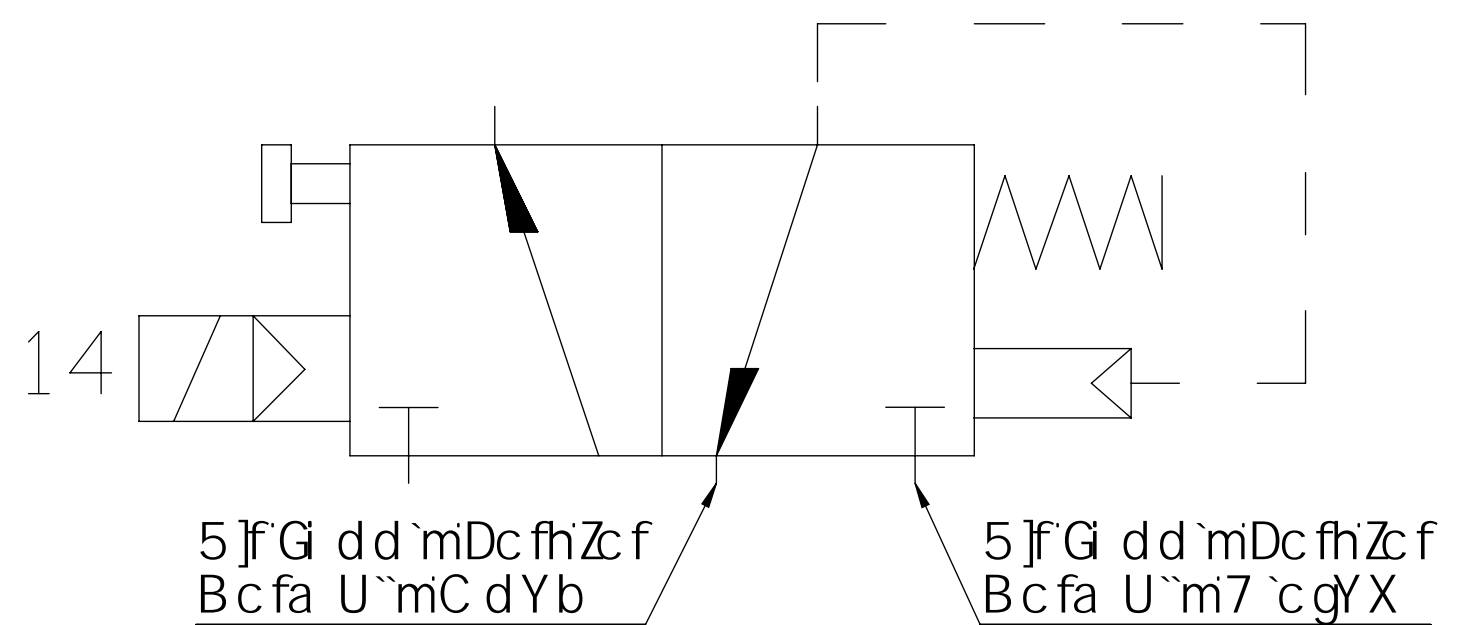
8 A 9BG€ BG'B 'B7 <9G



7c]



@YzhD]ch



H97 <B=7 5@85H5

GhUbXUFx]j c`hU[Yg'1`
57) \$#* \$<n. &(ž(, ž%\$#%&\$ž &&\$#&(\$ J`
87. %&ž &(ž(, ž%&) J
Dck Yf]bdi h'1` * \$<n]bfi g\` - "(J 5` \c`X]b[`*"- J 5
Dck Yf]bdi h'1` 87` (" , K
J c`hU[Y`hc`YfUbW`1` -` %\$!
7c]`]bgi `Uh]cb'1` 7`Ugg`<
8i hmVW`1` %\$!
DfchVW]cb`WUgg'1` =D*)

5]f'gi dd'mVcbbYV]cb'1` %&'BDH
CdYfUh]b[`dfYggi fy'1`
a]b"" \$`dg]f&'6UfŁ`È
a UI ""%&\$`dg]fŁ`6UfŁ`
7cbXi]h`VcbbYV]cb'1` %&'BDH
: `ck`ZJVWcf'1` 7j` &'+"-`fPj` &'(\$Ł`
A UI `cdYfUh]b[`ZfYei YbVh1`)`#g
HYa dYfUhi fy`fUb[Y'1`
!(È%(\$š: `fi &È* \$š7Ł`
K Y][\h'1` %&\$`V`f\$")` (`_[Ł`

9l d`cg]cb`DfccZ
7`Ugg`= /`NcbY`%
9l `a` =H(/`59l `a` =
7`Ugg`= /`8]j]g]cbg`%/` & /`
; fci dg`5ž`6ž`7`UbX`8
7`Ugg`= /` ; fci dg`9ž: `UbX`;
7`Ugg`= =

AU!5]f HYVWbc`c[m`bW

+) % <cZZ FcUX ! Cfi U`cb ž A]ggci f] *' ' *' I "G"5"
k k k "a UI !U]fhYVWbc`c[m`VŁa]bZc4 a UI !U]fhYVWbc`c[m`VŁa